

**HOW TO MEASURE GUIDE
PRIVATE & EXCLUSIVE BRANDS
HOME - BEDDING**

All Private and Exclusive brands must follow measurement guidelines unless specified.

Table of Contents

Bedding - 600 Series

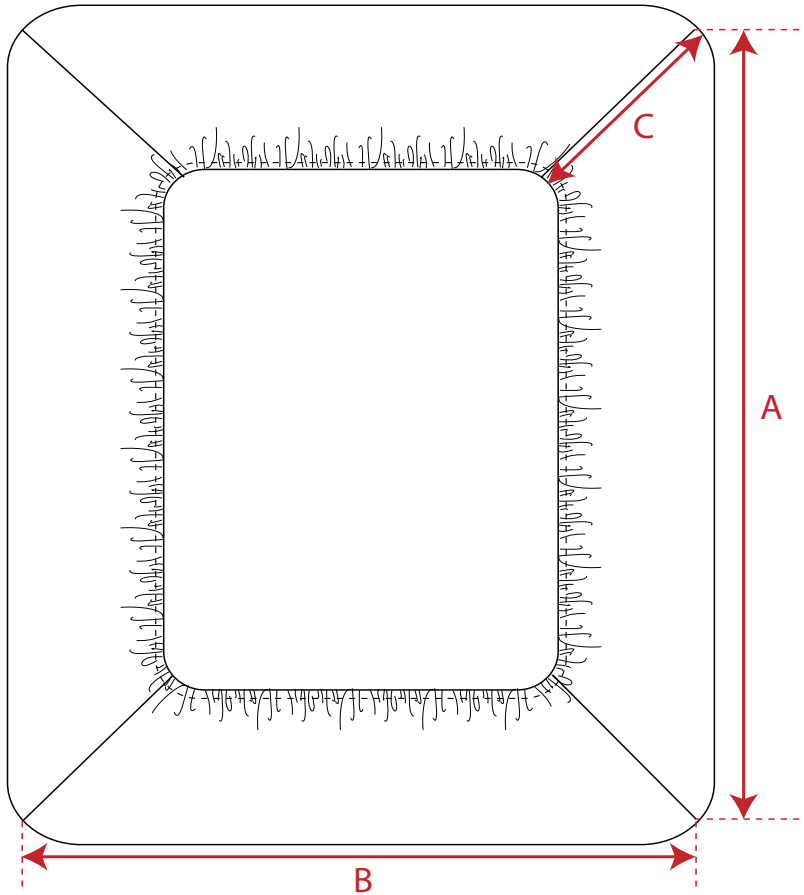
Sheets	Page 4-5
Comforter/Blanket/Quilt/Coverlet/Throw	Page 6
Comforter Cover/Duvet	Page 6-7
Pillow Covers	Page 7-8
Bedskirt	Page 8
Hooded Throw	Page 9
Mattress Pad	Page 10
Mattress Topper	Page 10-11
Utility Pillow	Page 12
Dec Pillows	Page 12-13

The Kohl's How To Measure Guide is used both internally and externally to correctly demonstrate how Kohl's private label & exclusive brand merchandise is measured. It is necessary to use the correct measuring tools when following the measuring guidelines for all products in order to remain consistent with our specification requests.

The How To Measure Guide contains Point of Measure (POM), along with a description of how to measure and an illustration. The descriptions for each point may not always work for every situation. In these cases, the Vendor Owned Certified Technical Designer (VOCTD) should create a How To Measure specific image to include in the Vendor Tech Pack.

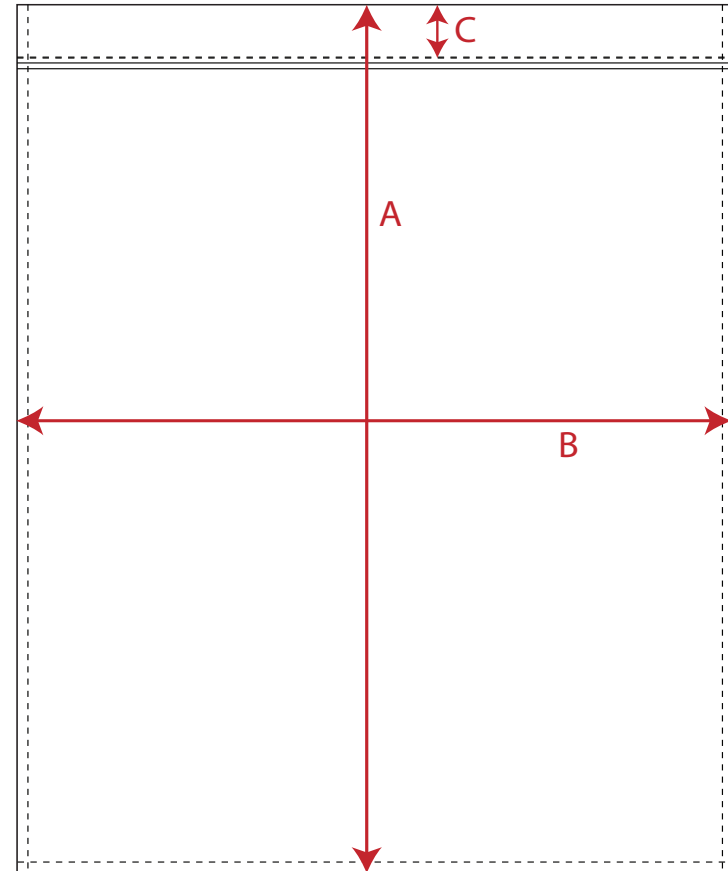
- All measurements are given in the nearest 1/8 of an inch, unless specified.

FITTED SHEET



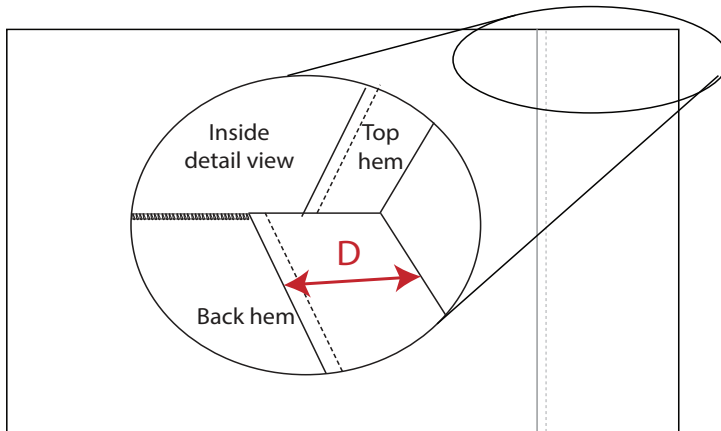
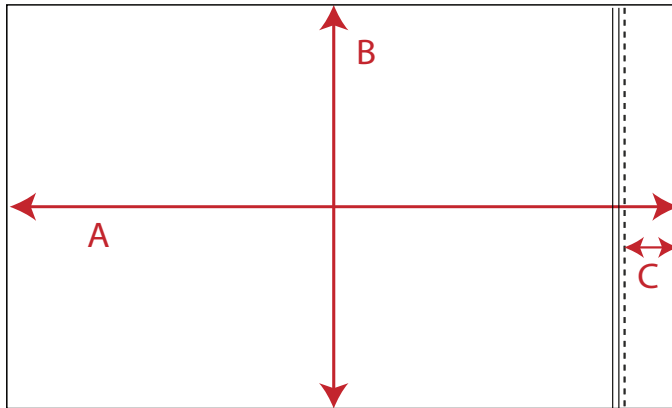
601-02A: Length: Measure straight from corner to corner along edge.
601-02B: Width: Measure straight from corner to corner along edge.
601-02C: Pocket Depth: Measure from corner to edge along seam.

FLAT SHEET



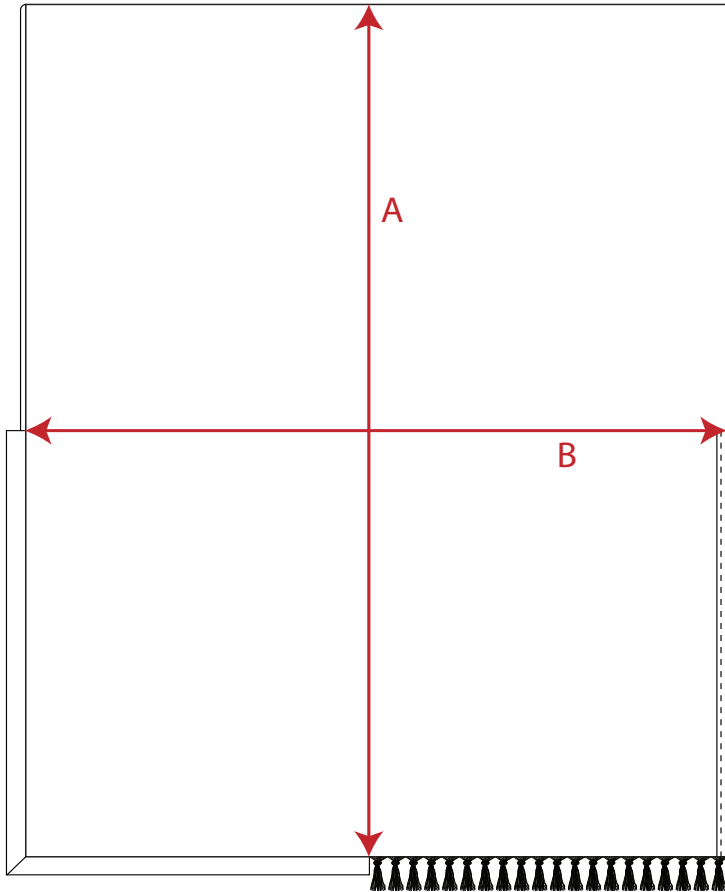
601-04A: Length: Measure straight from edge to edge at center.
601-04B: Width: Measure straight from edge to edge at center.
601-04C: Cuff Width: Measure straight from top edge to top hem stitch line.

PILLOWCASE



601-06A: Length: Measure straight from edge to edge at center.
601-06B: Width: Measure straight from edge to edge at center.
601-06C: Cuff Width: Measure straight from top edge to top hem stitch line.
601-06D: Back Envelope: Measure straight from top edge to bottom of envelope hem.

COMFORTER/BLANKET/QUILT/COVERLET/THROW

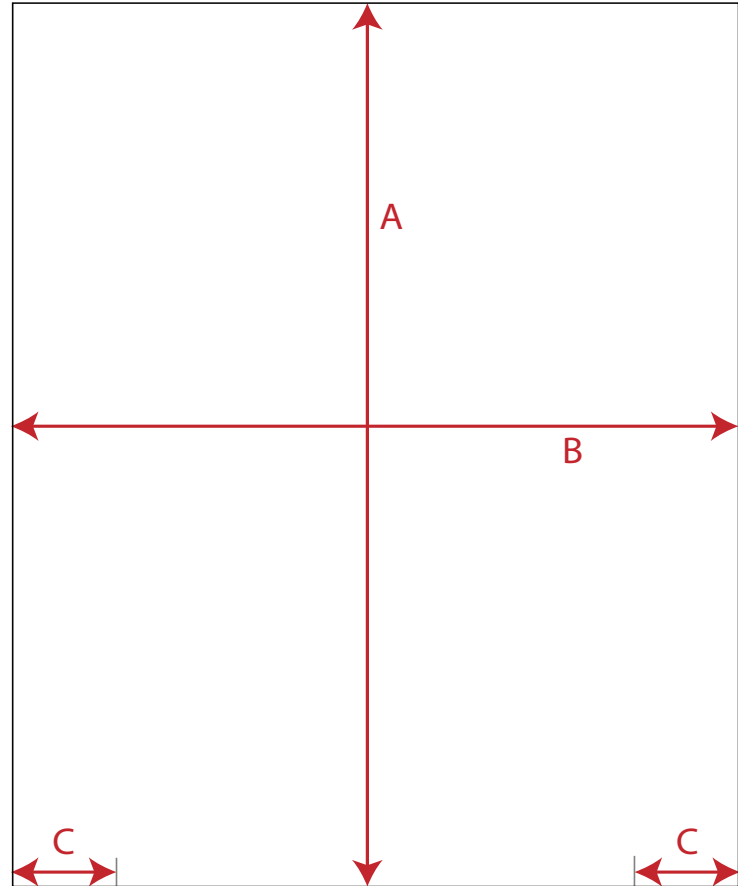


Reference *Home Textiles How to Measure - Trim* manual for further clarification.

602-02A: Length: Measure straight from seam or edge to seam or edge at center, excluding any extension in measurement.

602-02B: Width: Measure straight from seam or edge to seam or edge at center, excluding any extension in measurement.

COMFORTER COVER



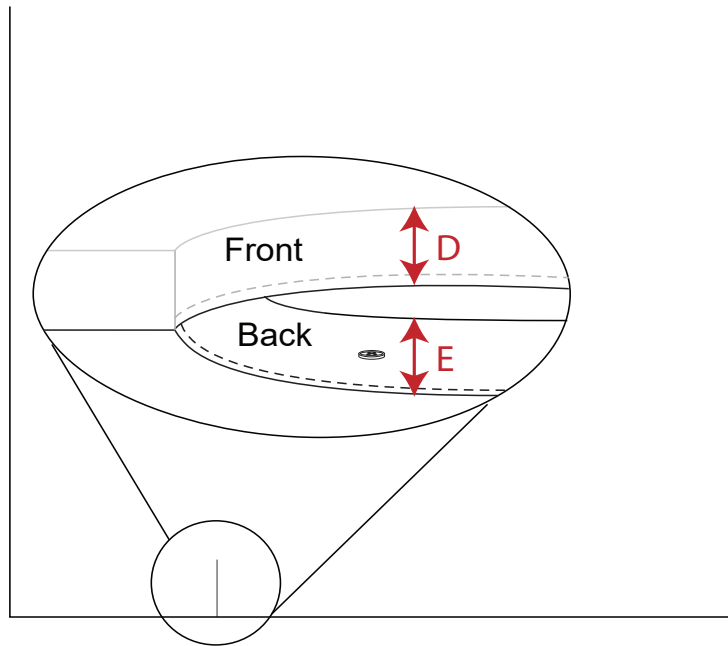
Reference *Home Textiles How to Measure - Trim* manual for further clarification.

602-04A: Length: Measure straight from edge to opening hem at center, excluding any extension in measurement.

602-04B: Width: Measure straight from edge to edge at center, excluding any extension in measurement.

602-04C: Opening Placement: Measure straight from beginning of opening to nearest corner.

COMFORTER COVER (CONTINUED)

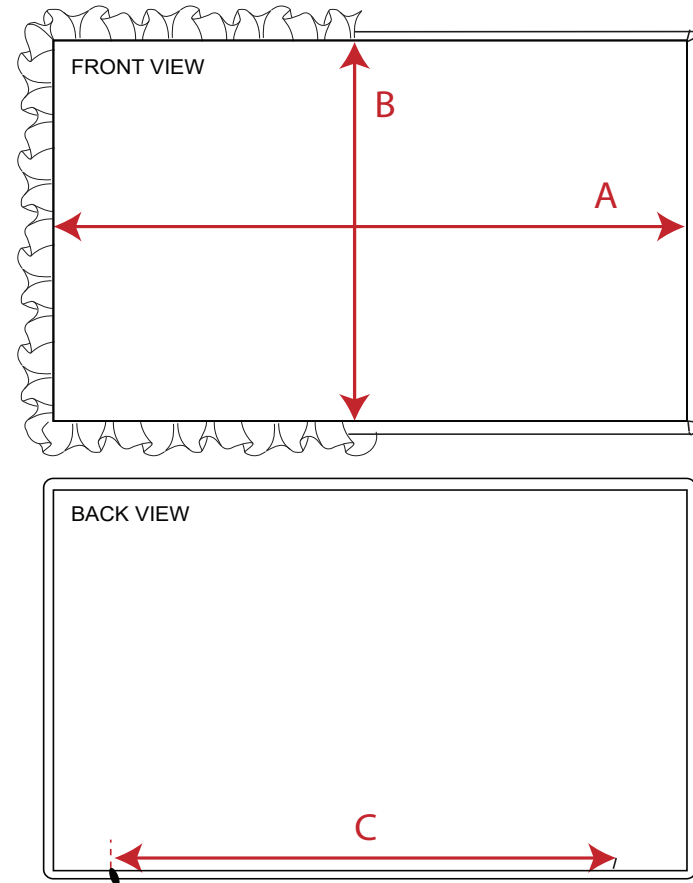


Reference *Home Textiles How to Measure - Trim* manual for further clarification.

602-04D: Front Hem Opening Width: Measure straight from edge to edge.

602-04E: Back Hem Opening Width: Measure straight from edge to edge.

PILLOW COVER- KNIFE EDGE/FLANGE/PIPING



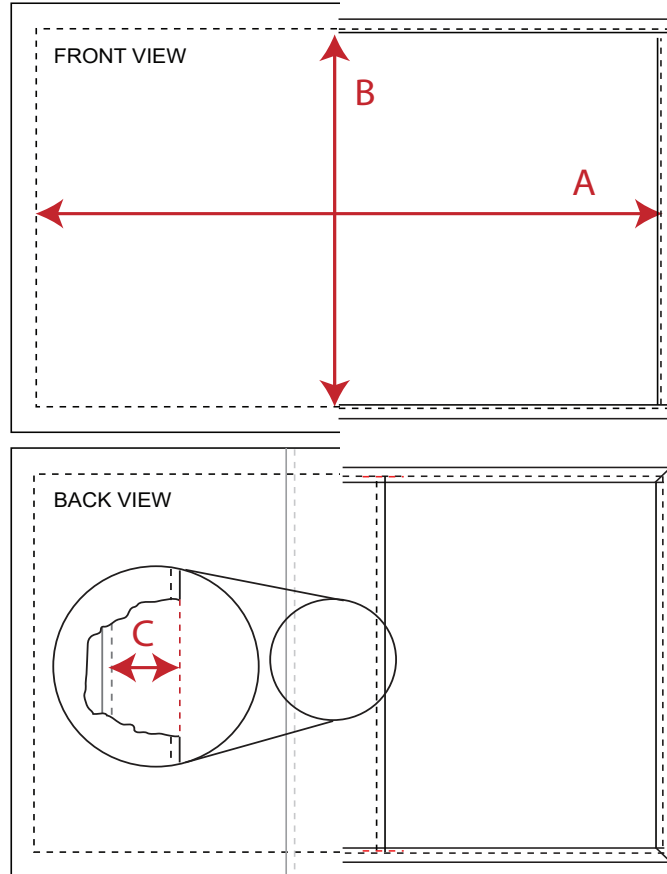
Reference *Home Textiles How to Measure - Trim* manual for further clarification.

602-06A: Pocket Length: Measure straight from seam to seam at center

602-06B: Pocket Width: Measure straight from seam to seam at center

602-06C: Zipper Opening: Measure from end to end of opening

PILLOW COVER - BOUND/TOPSTITCH FLANGE



Reference *Home Textiles How to Measure - Trim* manual for further clarification.

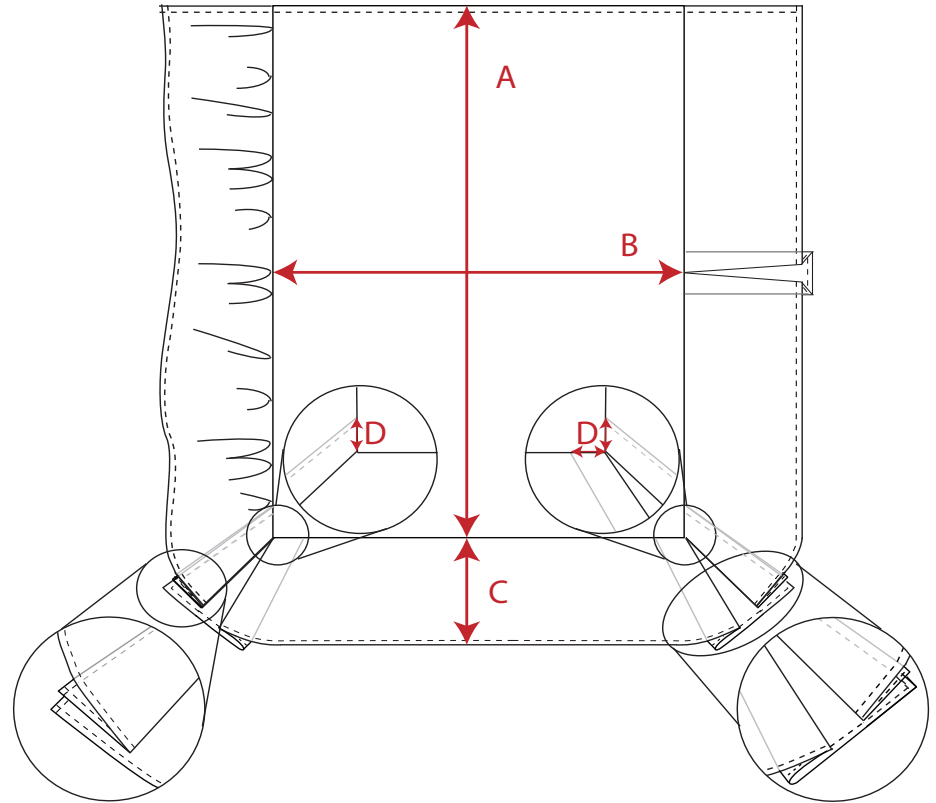
602-08A: Pocket Length: Measure straight from stitch line to stitch line at center **

602-08B: Pocket Width: Measure straight from stitch line to stitch line at center. **

**Exclusion of binding on pillow cover measurement is an exception.

602-08C: Overlap: Measure distance of overlap between edges of outer overlap and inner overlap on back

BEDSKIRT



Reference *Home Textiles How to Measure - Trim* manual for further clarification.

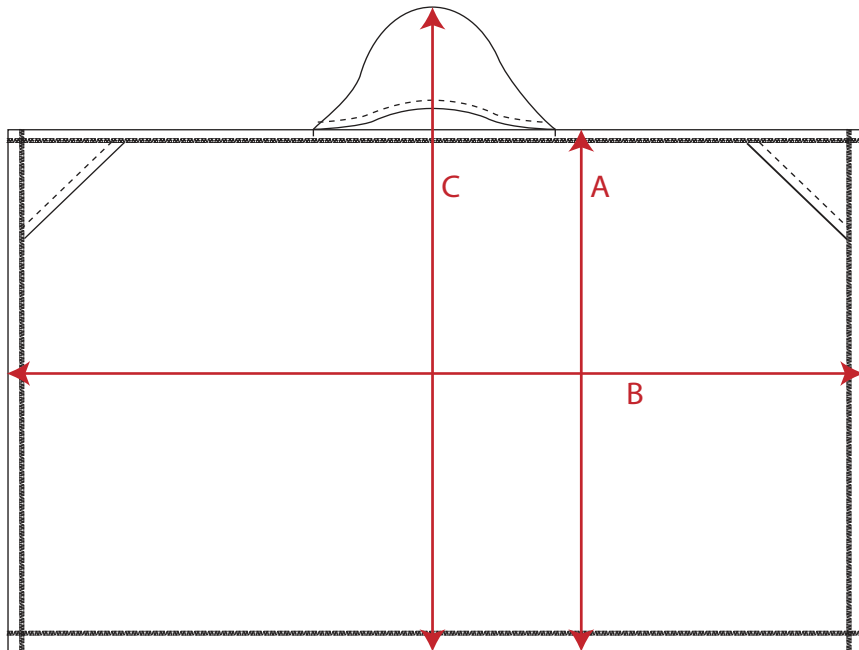
602-10A: Platform Length: Measure straight from top hem to bottom seam at center.

602-10B: Platform Width: Measure straight from seam to seam at center.

602-10C: Skirt Drop: Measure straight from joining seam to bottom drop hem.

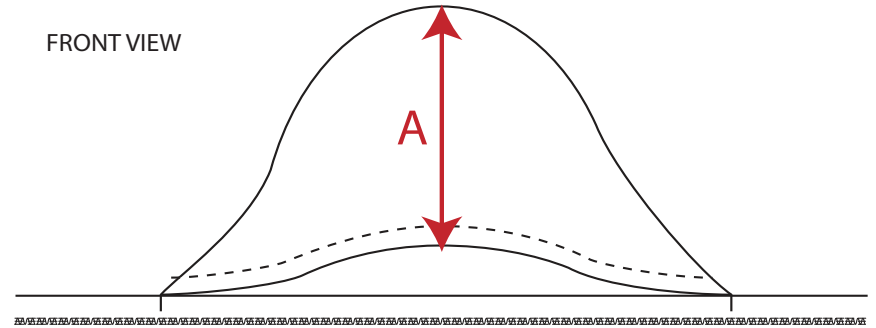
602-10D: Corner Wrap: Measure straight from corner to hem or fold.

HOODED THROW

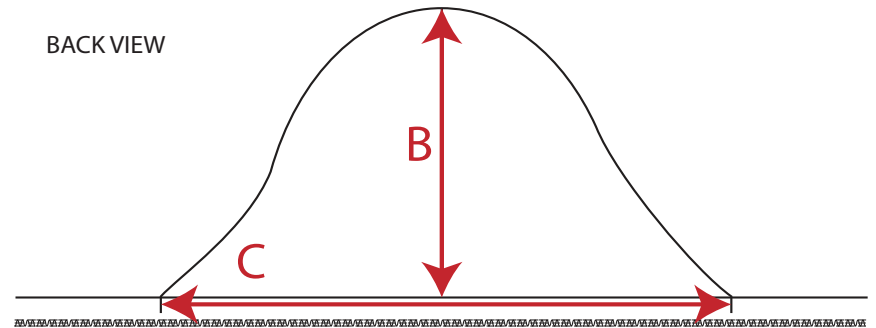


HOODED THROW (CONTINUED)

FRONT VIEW



BACK VIEW



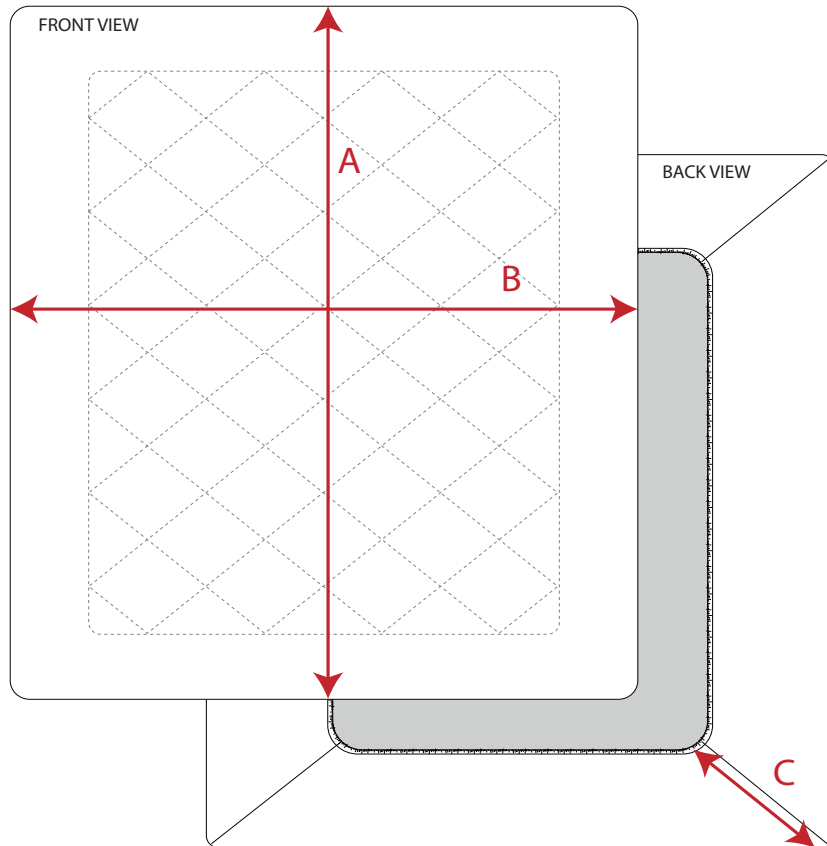
H602-12A: Width: Measure straight from edge to edge avoiding the hood.
 H602-12B: Length: Measure straight from edge to edge at center.
 H602-12C: Finished Height: Measure straight from top of hood to bottom edge at center.

H602-14A: Front Hood Height: Measure straight from top edge of hood to bottom hem at center.

H602-14B: Back Hood Height: Measure straight from top edge of hood to hood seam at center.

H602-14C: Hood Width: Measure straight across from edge to edge at seam.

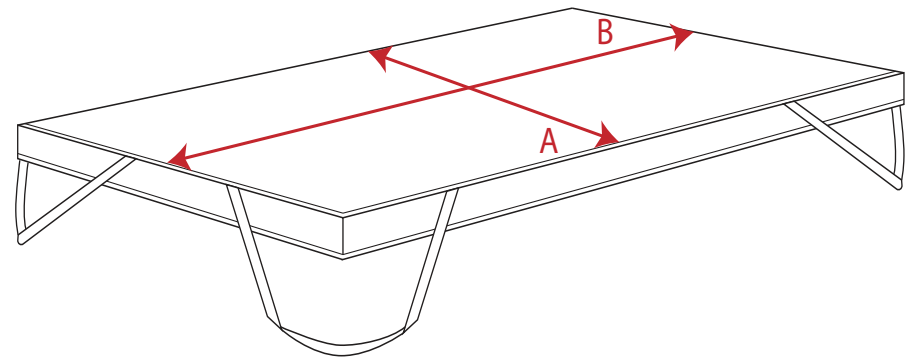
MATTRESS PAD



Reference Home Textiles How to Measure - Trim manual for further clarification.

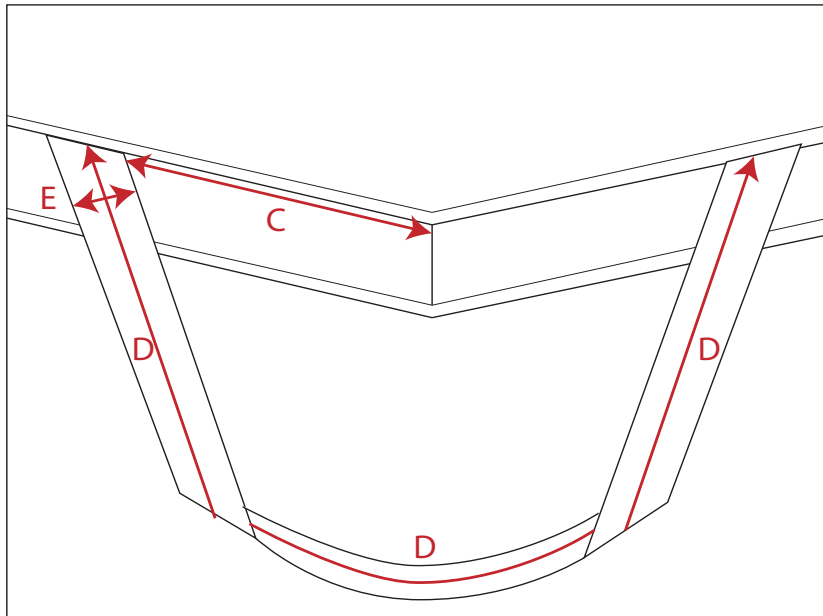
- 603-02A: Platform Length: Measure straight from seam to seam at center.
- 603-02B: Platform Width: Measure straight from seam to seam at center.
- 603-02C: Pocket Depth: Measure from corner to edge along pocket seam.

MATTRESS TOPPER



- 603-04A: Platform Length: Measure straight from edge/seam to edge/seam at center, excluding piping.
- 603-04B: Platform Width: Measure straight from edge/seam to edge/seam at center, excluding piping.

MATTRESS TOPPER (CONTINUED)



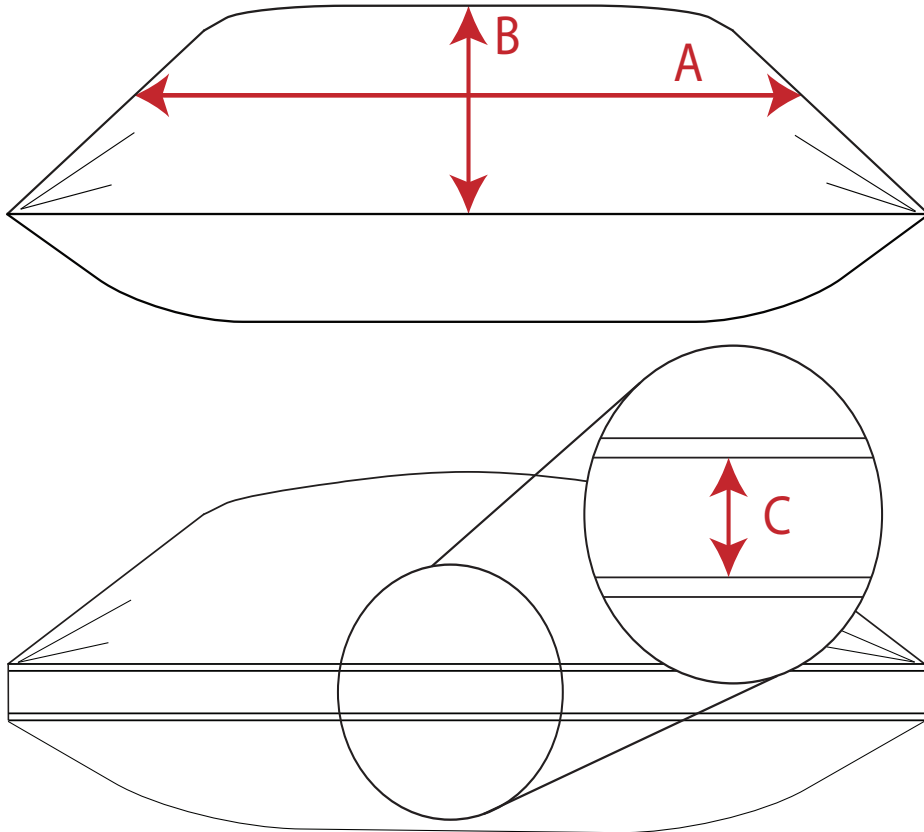
Reference Home Textiles How to Measure - Trim manual for further clarification.

603-04C: Band Placement: Measure straight from corner to first edge of band.

603-04D: Band Length: Measure from seam to seam following the curve.

603-04E: Band Width: Measure straight across from edge to edge.

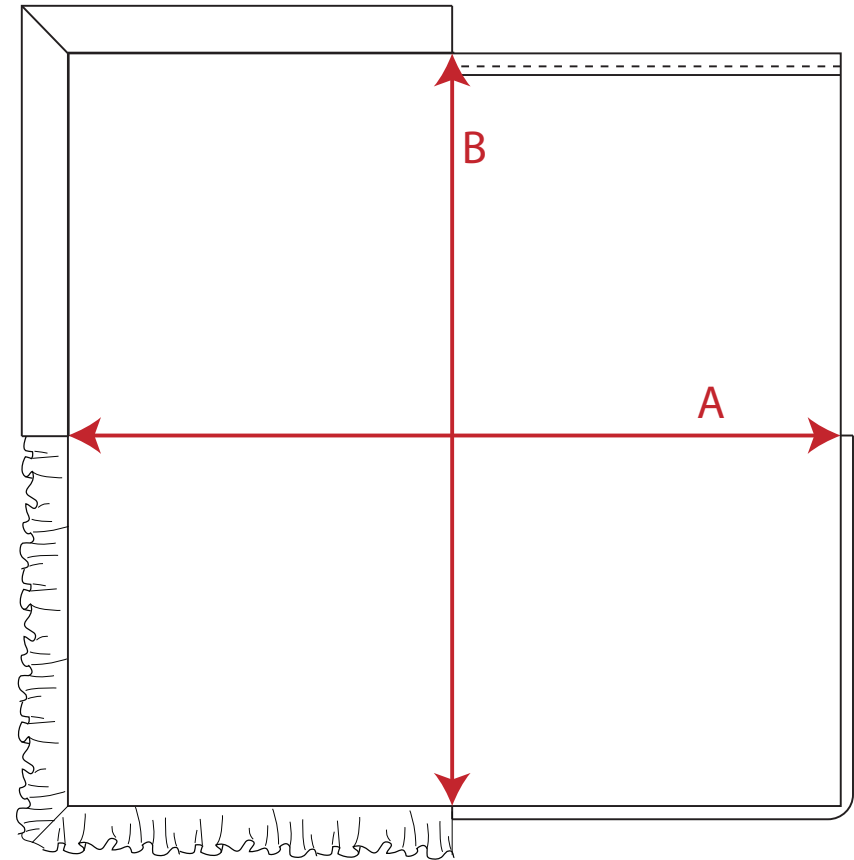
UTILITY PILLOW



Reference *Home Textiles How to Measure - Trim* manual for further clarification.

604-02A: Length: Measure straight from seam to seam at center.
 604-02B: Width: Measure straight from seam to seam at center.
 604-02C: Gusset: Measure straight from seam to seam at center.

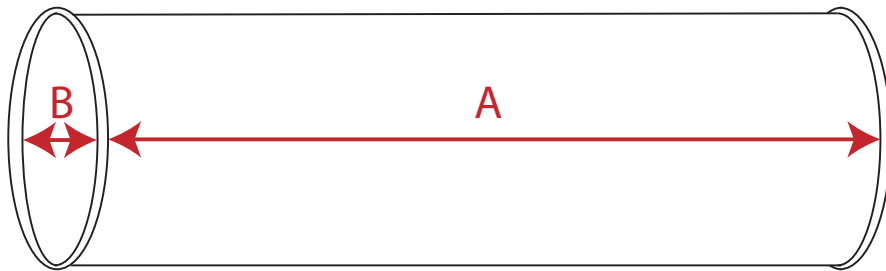
DEC PILLOW/PILLOW FORM



Reference *Home Textiles How to Measure - Trim* manual for further clarification.

604-04A: Length: Measure straight from seam/edge to seam/edge at center, excluding any extension.
 604-04B: Width: Measure straight from seam/edge to seam/edge at center, excluding any extension.

NECKROLL/BOLSTER



Reference *Home Textiles How to Measure - Trim* manual for further clarification.

604-06A: Length: Measure straight from seam to seam at center, excluding piping.
604-06B: Diameter: Measure straight from seam to seam at center, excluding piping.