

HOW TO MEASURE GUIDE

PRIVATE & EXCLUSIVE BRANDS

HOME - PILLOWS

All Private and Exclusive brands must follow measurement guidelines unless specified.



HOW TO MEASURE GUIDE

FOR PRIVATE & EXCLUSIVE BRAND / HOME - PILLOWS

Table of Contents

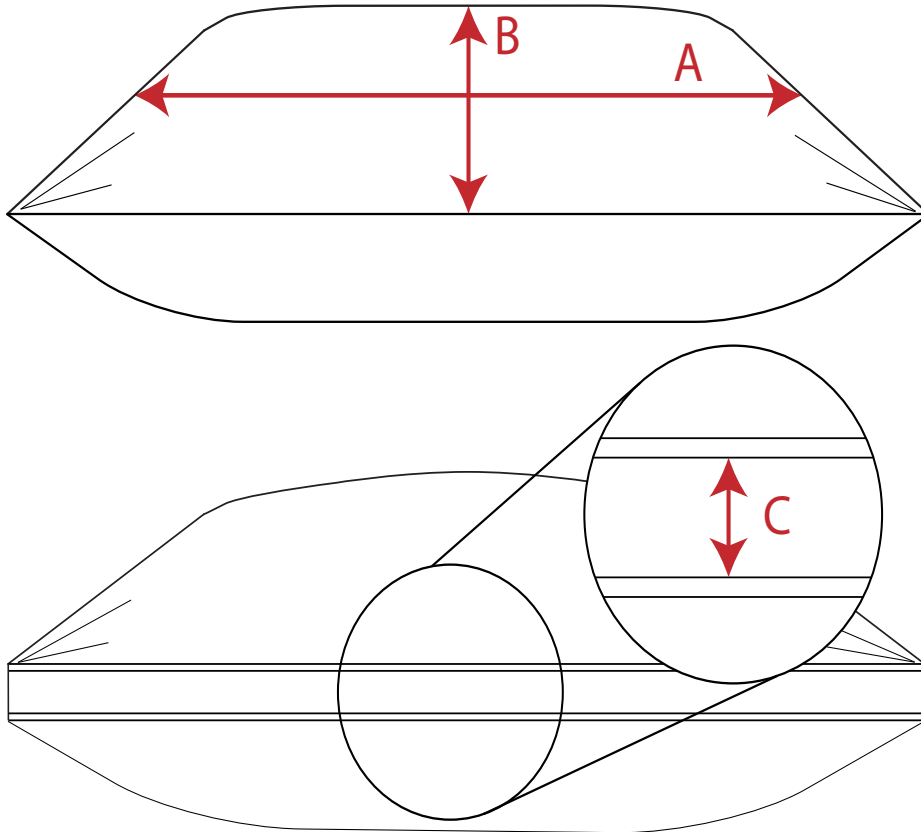
<u>Utility Pillow</u>	<u>Page 4</u>
<u>Dec Pillow</u>	<u>Page 4-5</u>
<u>Backrest Pillow</u>	<u>Page 5-7</u>

The Kohl's How To Measure Guide is used both internally and externally to correctly demonstrate how Kohl's private label & exclusive brand merchandise is measured. It is necessary to use the correct measuring tools when following the measuring guidelines for all products in order to remain consistent with our specification requests.

The How To Measure Guide contains Point of Measure (POM), along with a description of how to measure and an illustration. The descriptions for each point may not always work for every situation. In these cases, the Vendor Owned Certified Technical Designer (VOCTD) should create a How To Measure specific image to include in the Vendor Tech Pack.

- All measurements are given in the nearest 1/8 of an inch, unless specified.

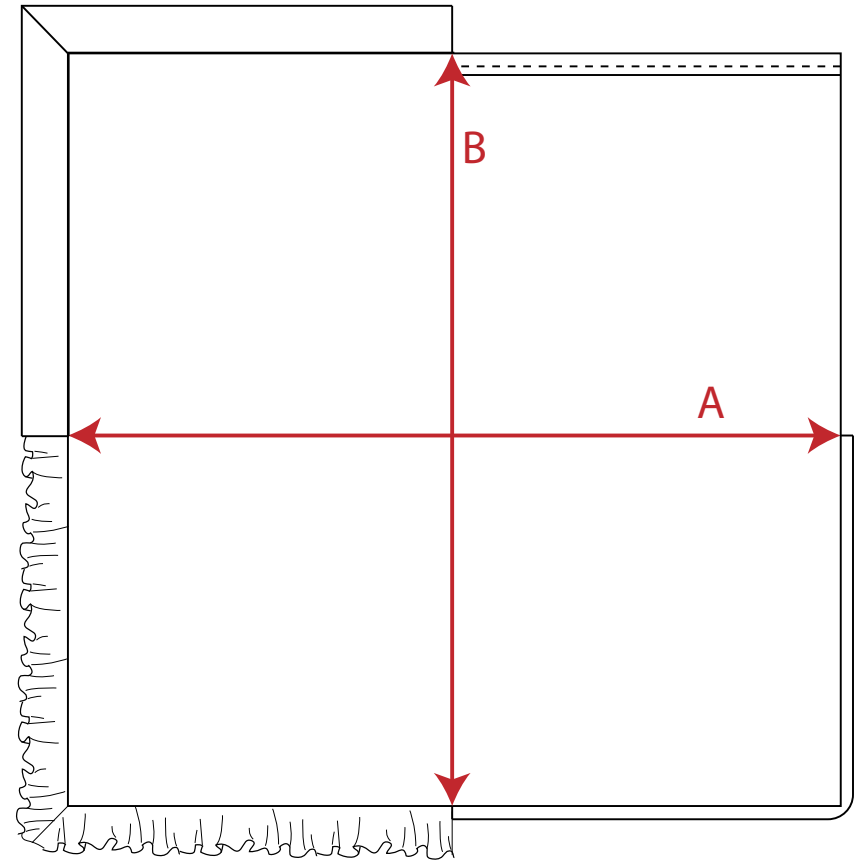
UTILITY PILLOW



Reference *Home Textiles How to Measure - Trim* manual for further clarification.

604-02A: Length - Measure straight from seam to seam at center.
 604-02B: Width - Measure straight from seam to seam at center.
 604-02C: Gusset - Measure straight from seam to seam at center.

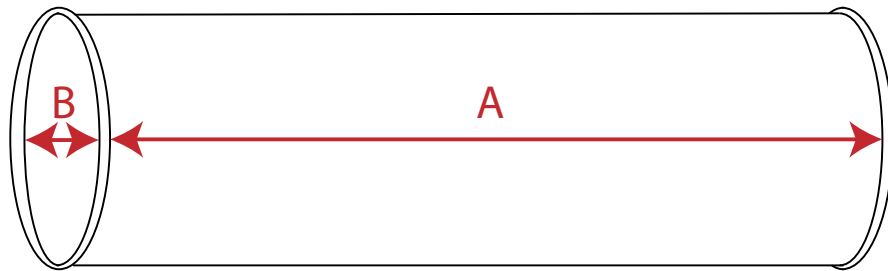
DEC PILLOW/PILLOW FORM



Reference *Home Textiles How to Measure - Trim* manual for further clarification.

604-04A: Length - Measure straight from seam/edge to seam/edge at center, excluding any extension.
 604-04B: Width - Measure straight from seam/edge to seam/edge at center, excluding any extension.

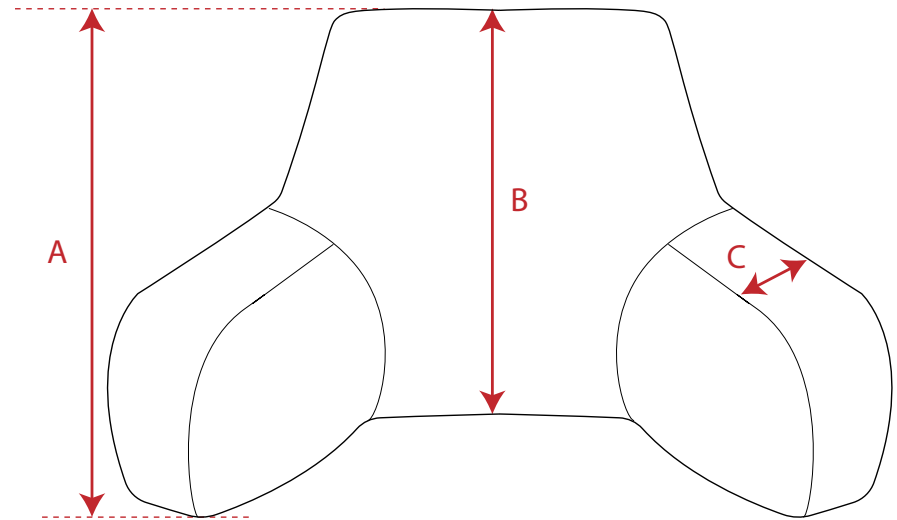
NECKROLL/BOLSTER



Reference *Home Textiles How to Measure - Trim* manual for further clarification.

- 604-06A: Length - Measure straight from seam to seam at center, excluding piping.
- 604-06B: Diameter - Measure straight from seam to seam at center, excluding piping.

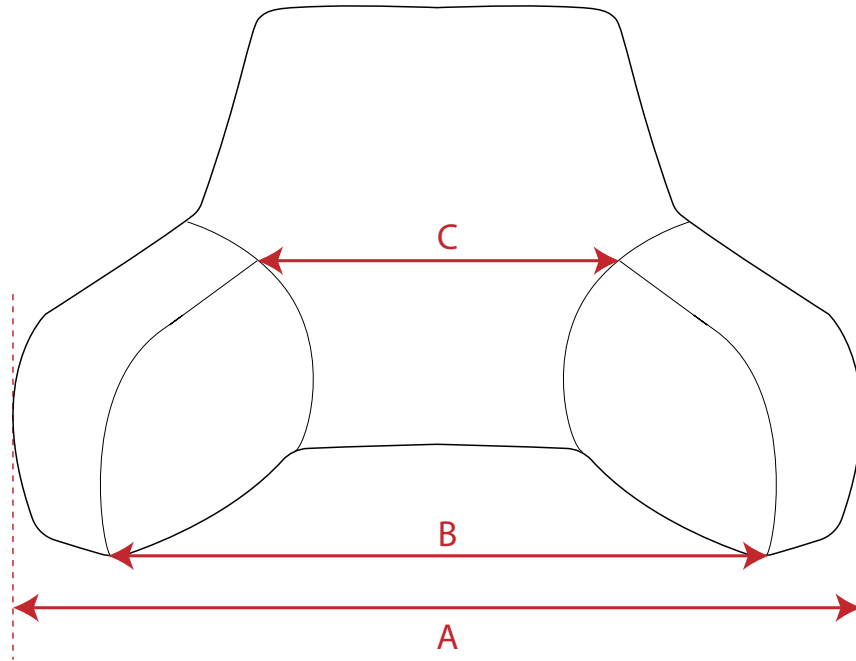
BACKREST



Reference *Home Textiles How to Measure - Trim* manual for further clarification.

- 604-08A: Total Height - Measure straight up from floor to top of backrest.
- 604-08B: Front Height With Curve - Measure straight from bottom seam to top seam with the curve.
- 604-08C: Top Arm Seam Width - Measure straight from seam to seam.

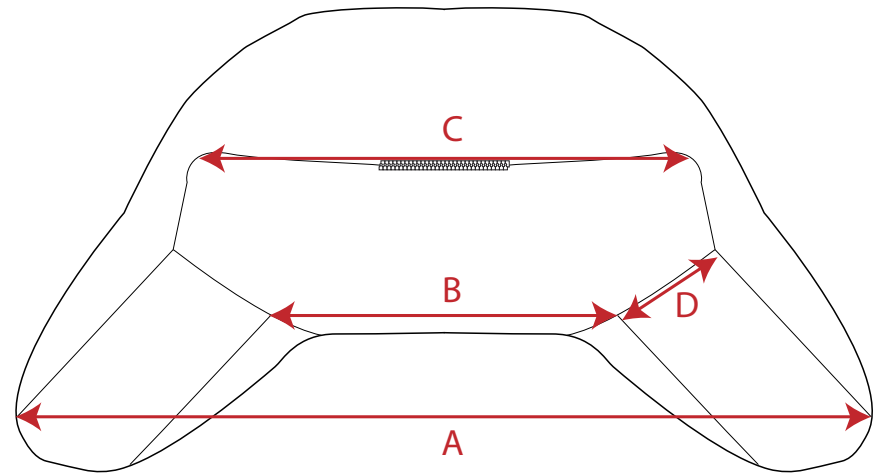
BACKREST



Reference *Home Textiles How to Measure - Trim* manual for further clarification.

- 604-10A: Total Width - Measure across from widest part to widest part.
- 604-10B: Front Width at Bottom - Measure at floor from front inner arm seam to front inner arm seam.
- 604-10C: Front Width at Middle - Measure across middle from front inner arm seam to front inner arm seam.

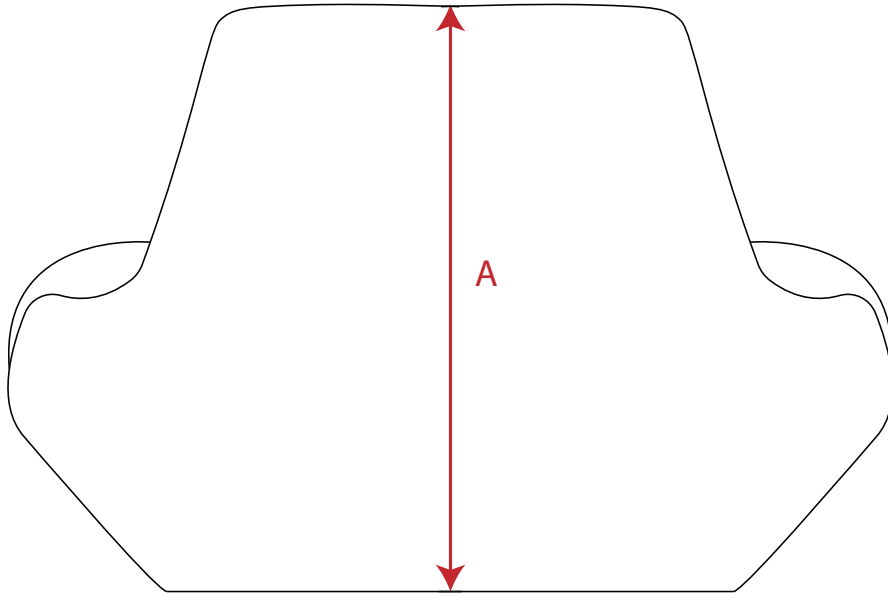
BACKREST



Reference *Home Textiles How to Measure - Trim* manual for further clarification.

- 604-12A: Bottom Width at Front - Measure across from outer arm seam to outer arm seam.
- 604-12B: Bottom Width at Center - Measure across from inner arm seam to inner arm seam.
- 604-12C: Bottom Width at Closure - Measure across closure seam from curve to curve.
- 604-12D: Bottom Arm Seam Width - Measure straight from seam to seam.

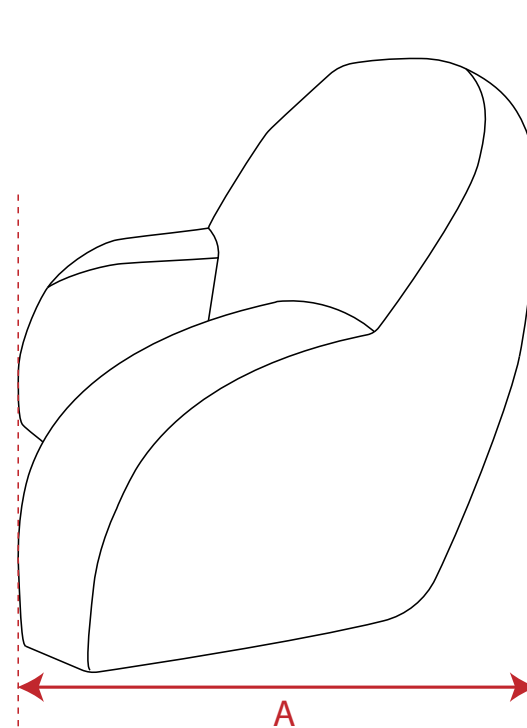
BACKREST



Reference *Home Textiles How to Measure - Trim* manual for further clarification.

604-14A: Back Height With Curve - Measure straight from bottom seam to top seam with the curve.

BACKREST



Reference *Home Textiles How to Measure - Trim* manual for further clarification.

604-16A: Total Depth - Measure from front to back.