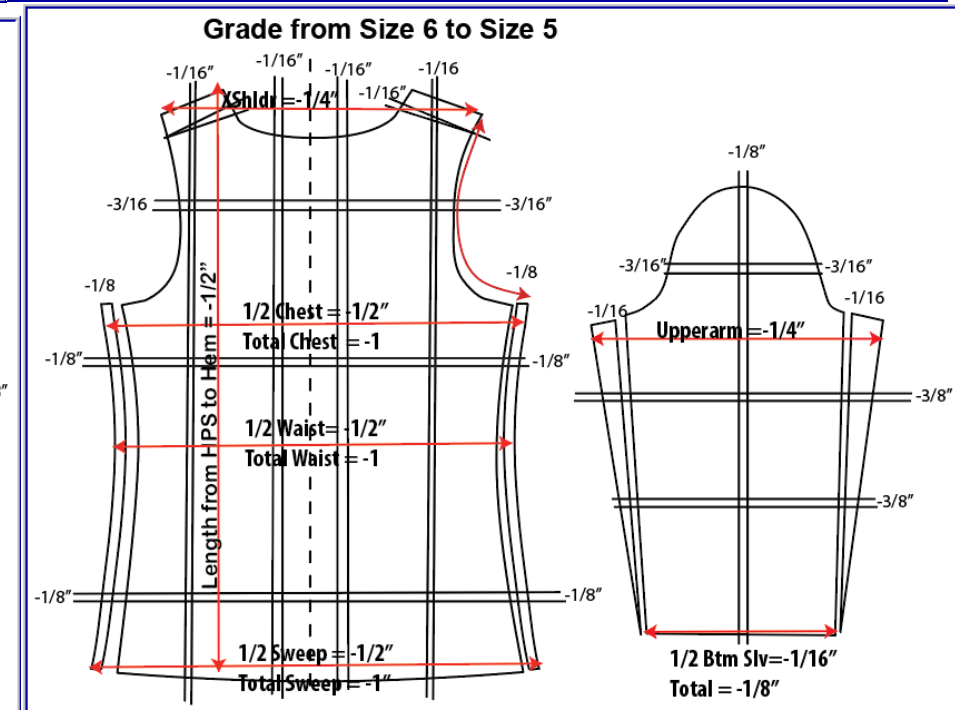
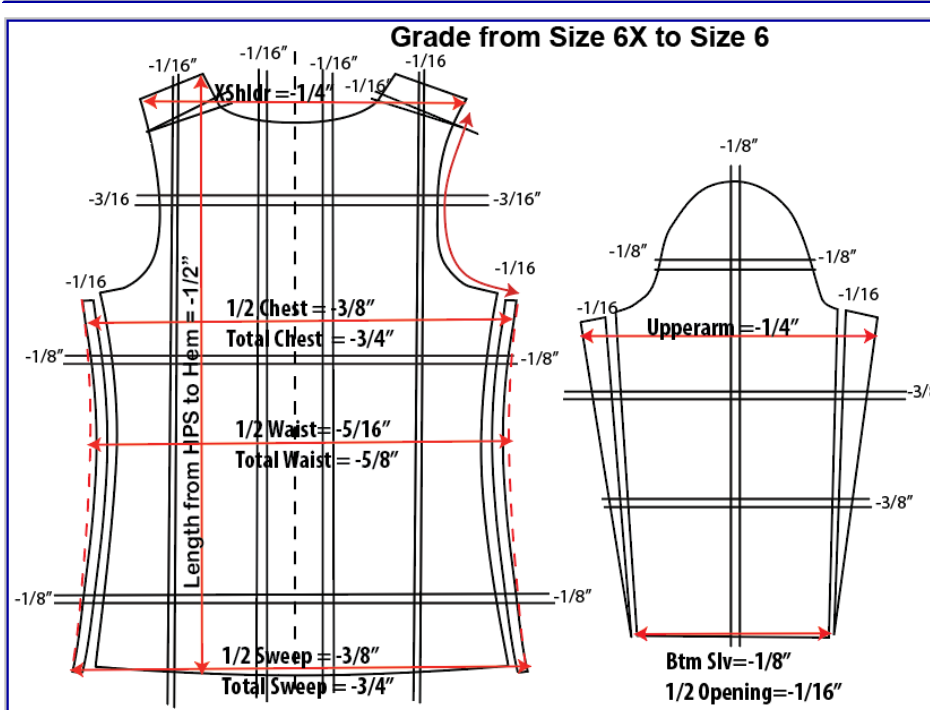
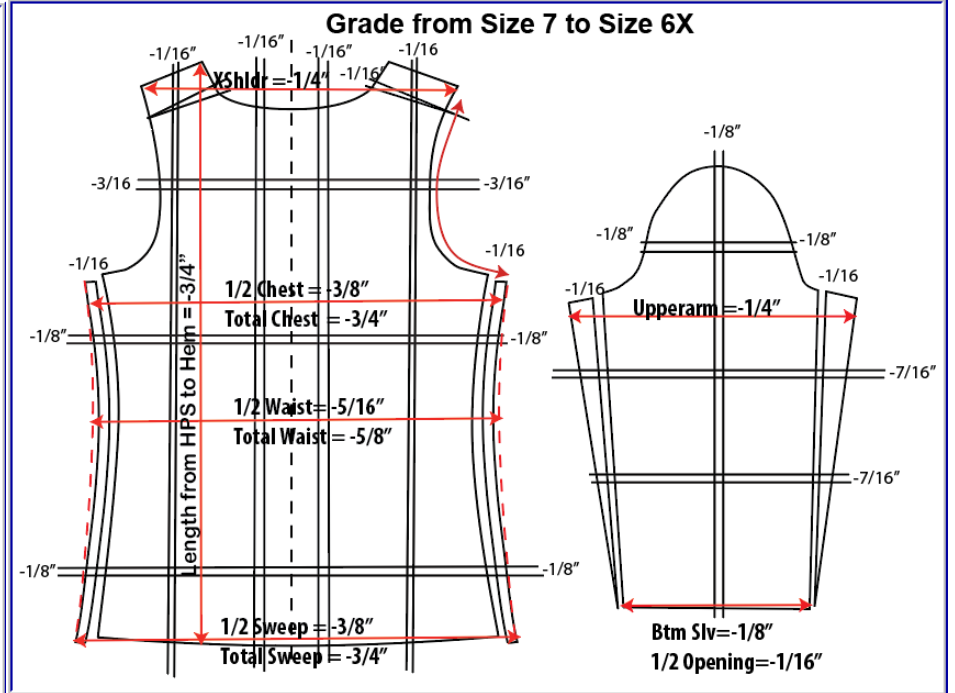
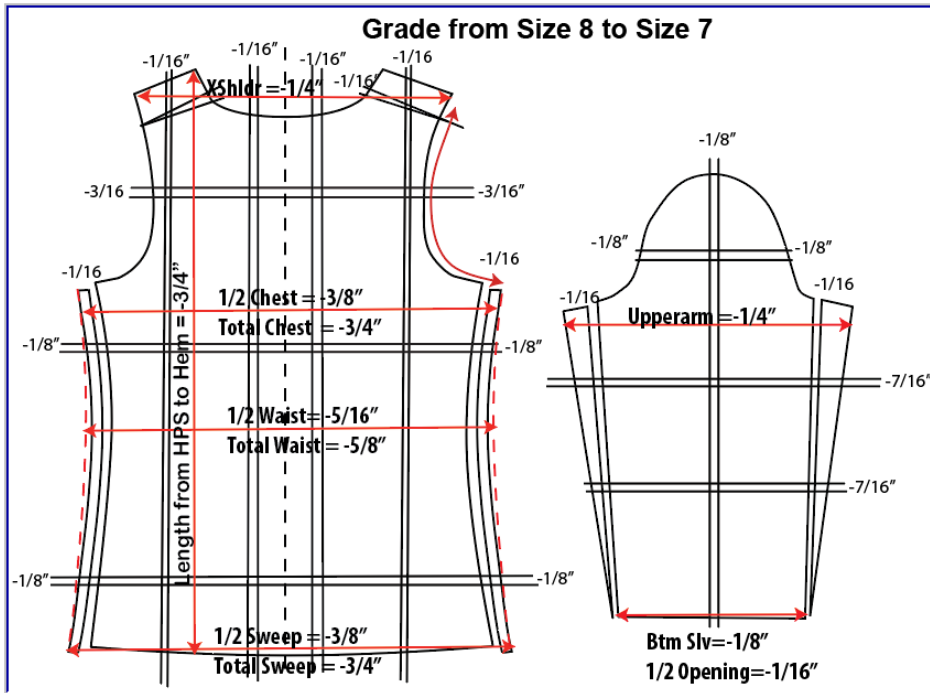
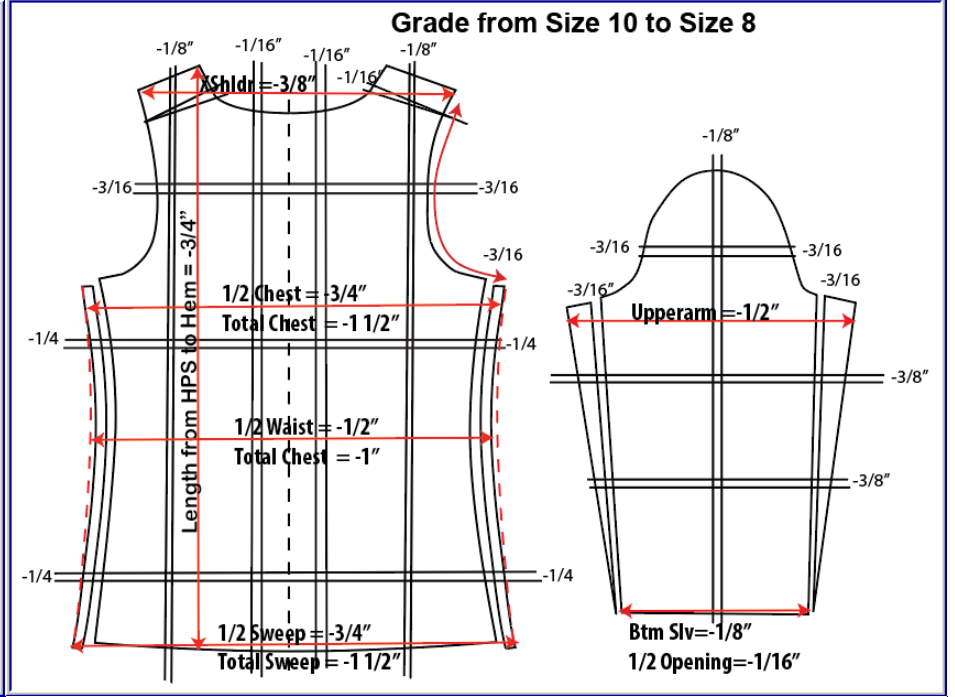
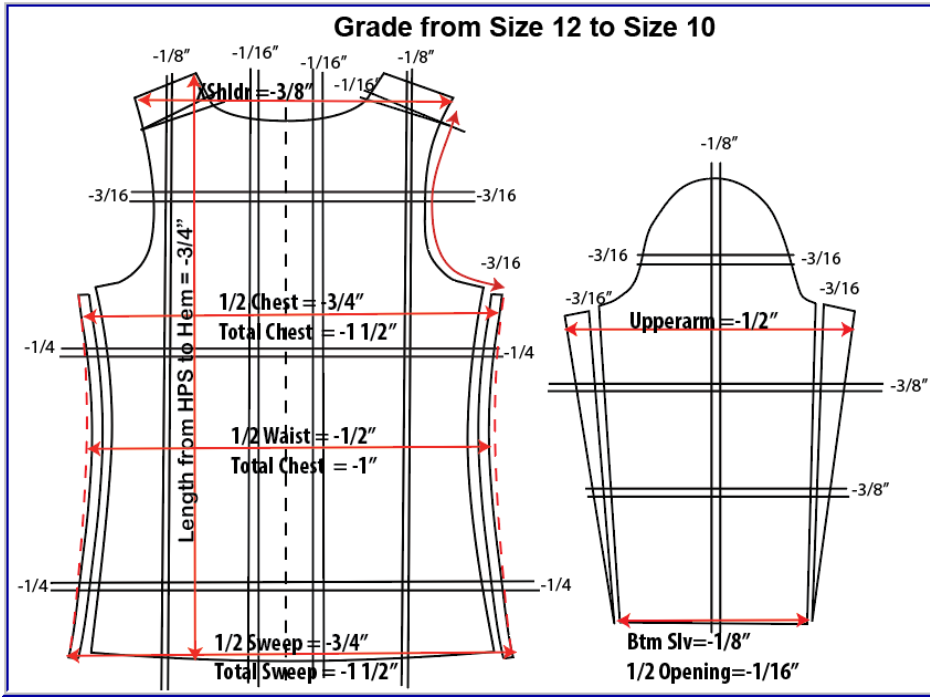


BIG GIRLS TOPS CONVERSION & GRADE (SIZE 5 -20)

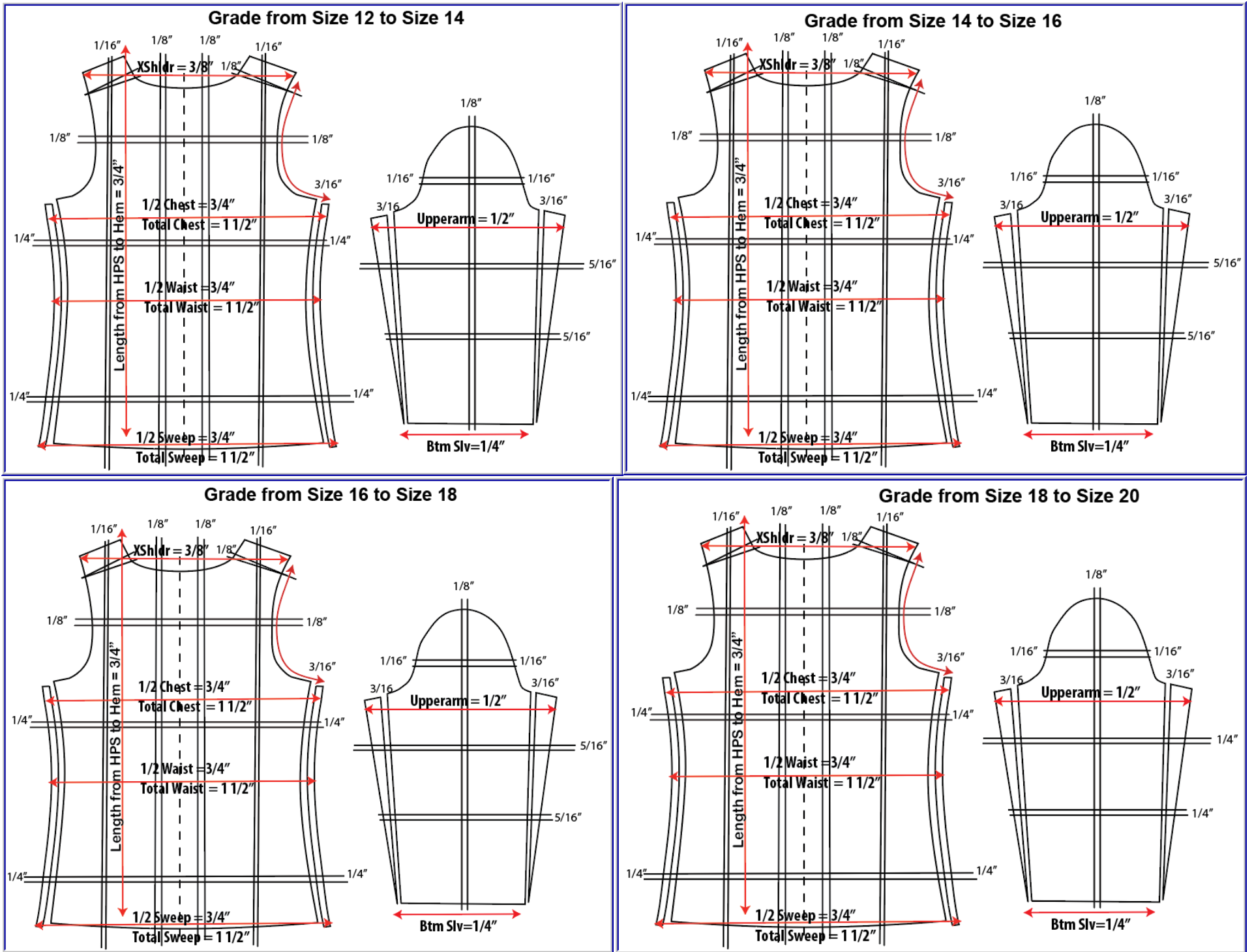
****NOTE: GRADING SHOULD BE DONE TO THE EXACT AMOUNT. THE GRADE SHEET IS SET UP TO THE NEAREST 1/8" FOR QA AUDITORS. SIXTEENTH AND THIRTY-SECONDS ARE DROPPED OFF BUT IS PICKED UP ON THE NEXT SIZE.**

GRADE DOWN FROM SIZE 12 – TOPS NUMERIC

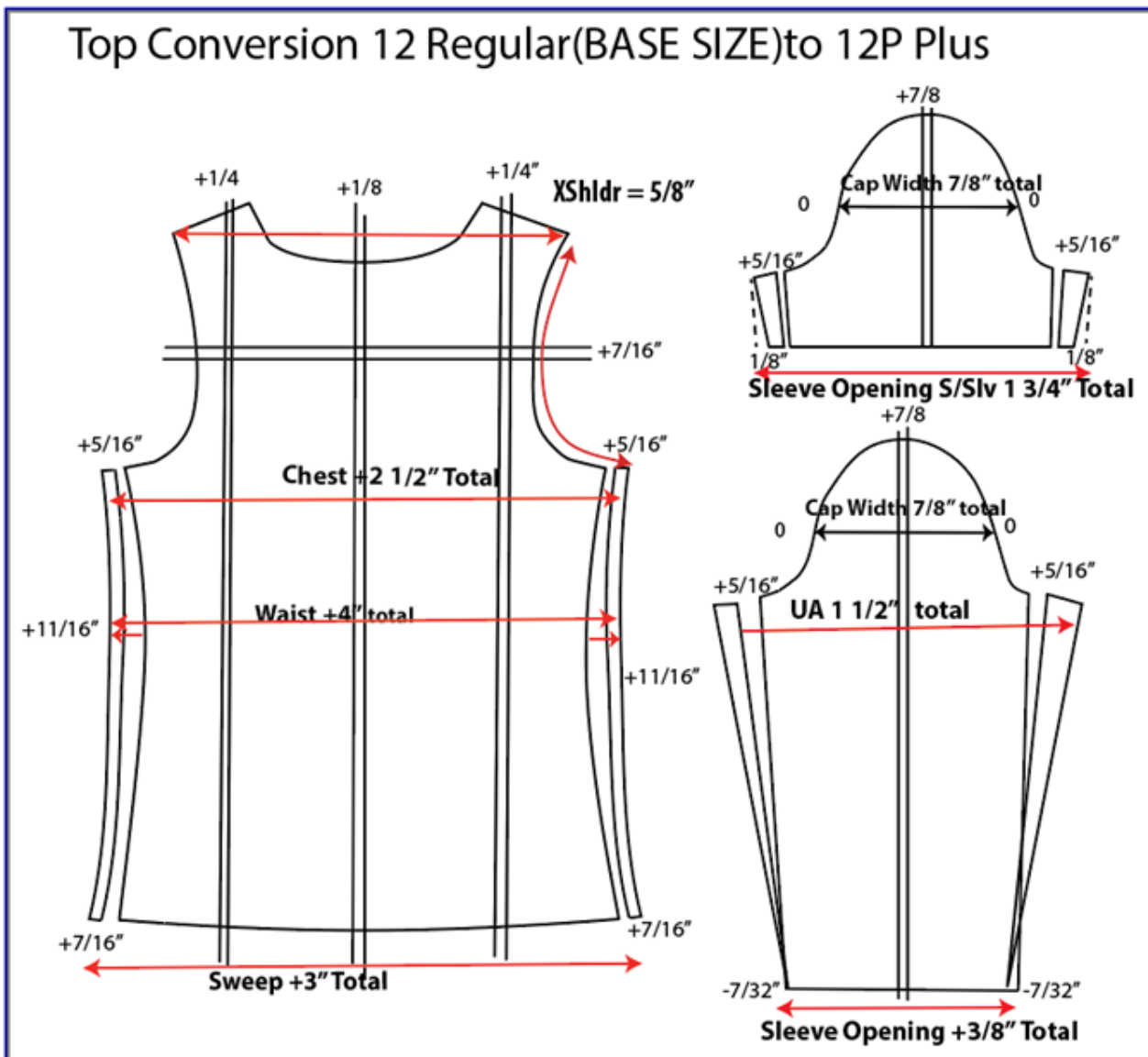


BIG GIRLS TOPS CONVERSION & GRADE (SIZE 5 -20)

GRADE UP FROM SIZE 12 – TOPS NUMERIC



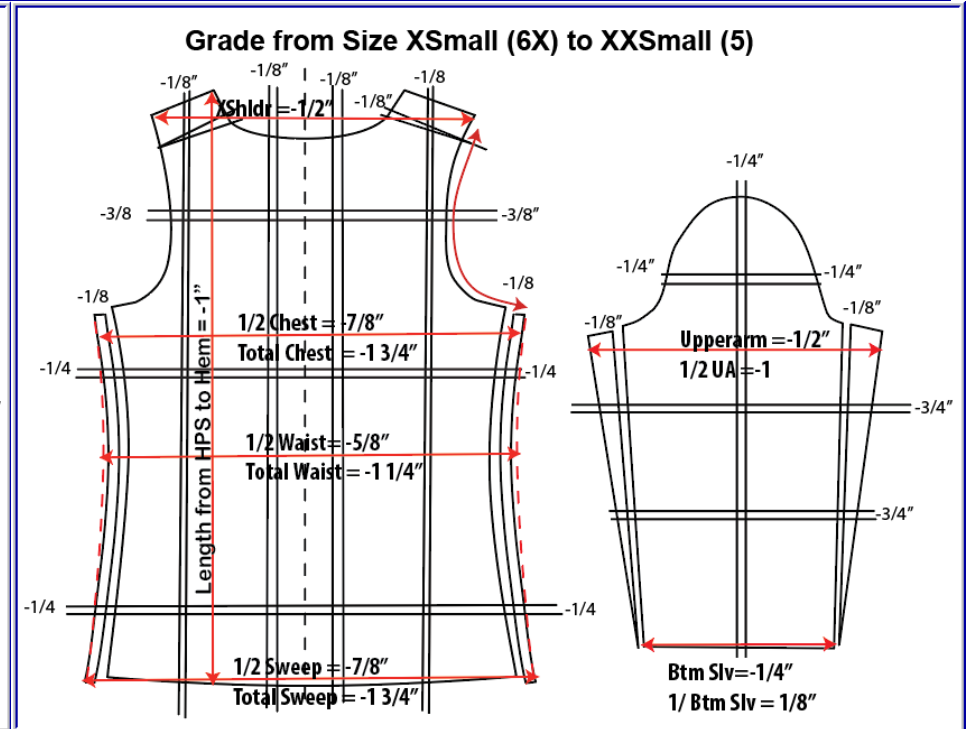
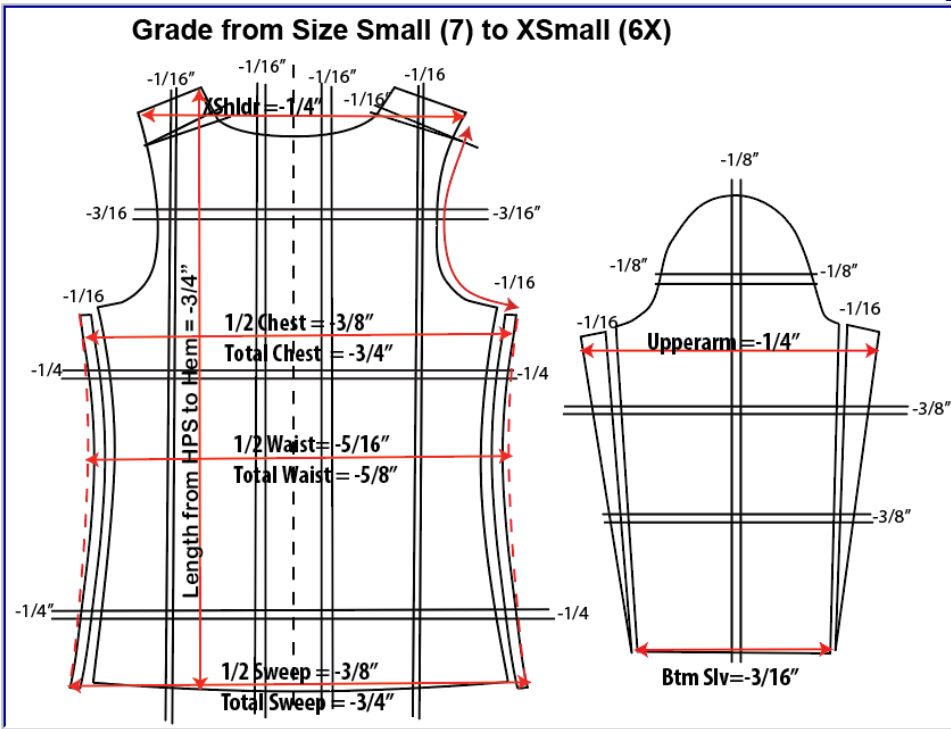
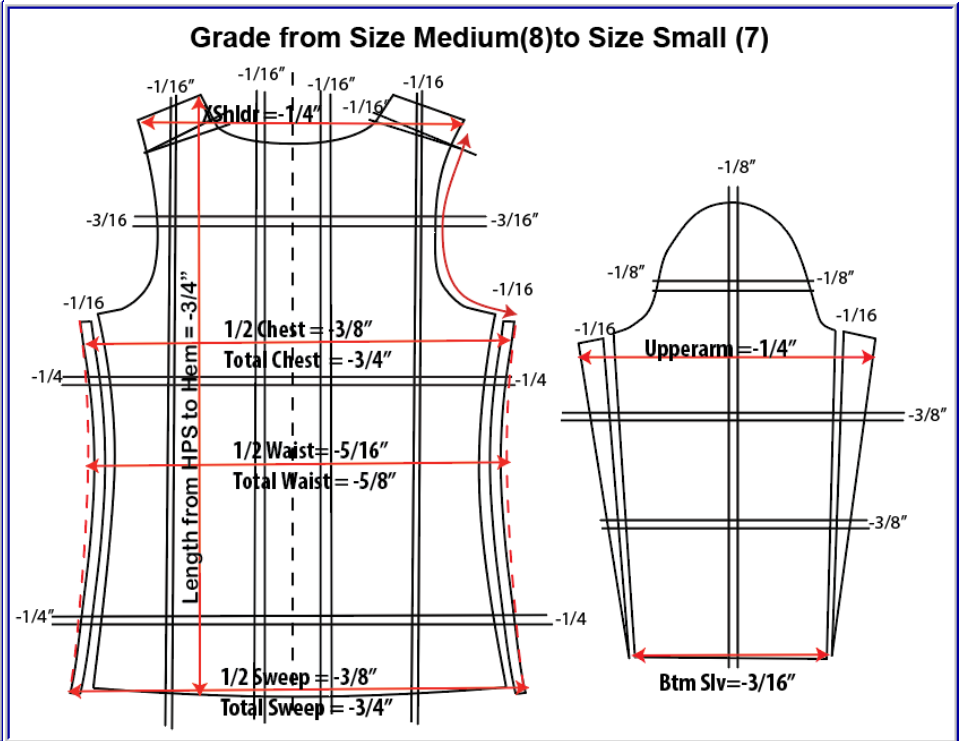
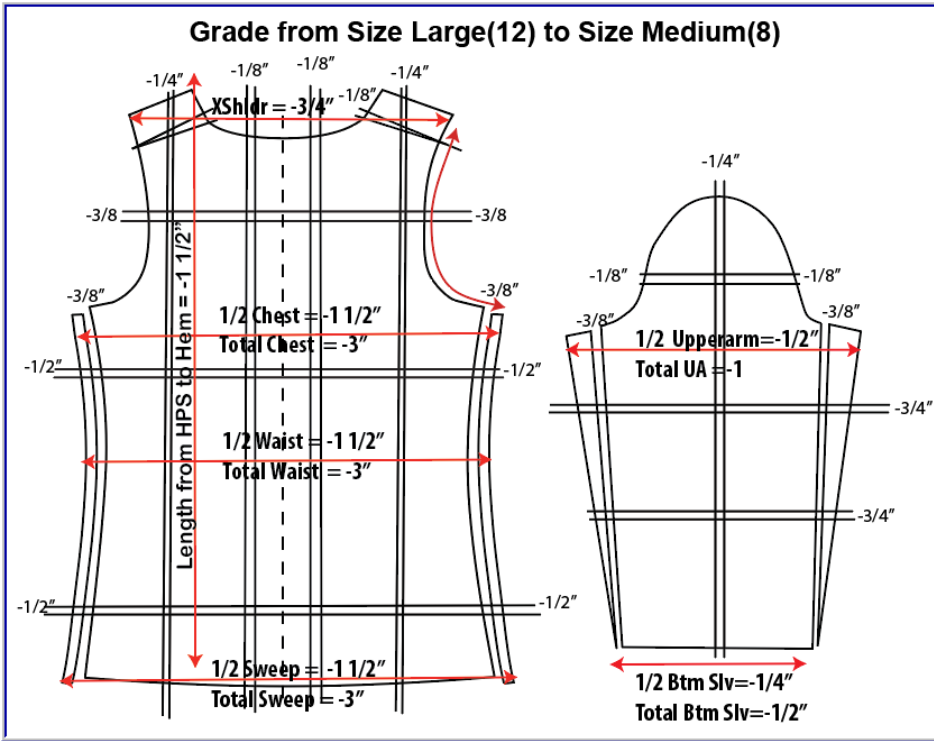
CONVERSION TO PLUS FROM SIZE 12



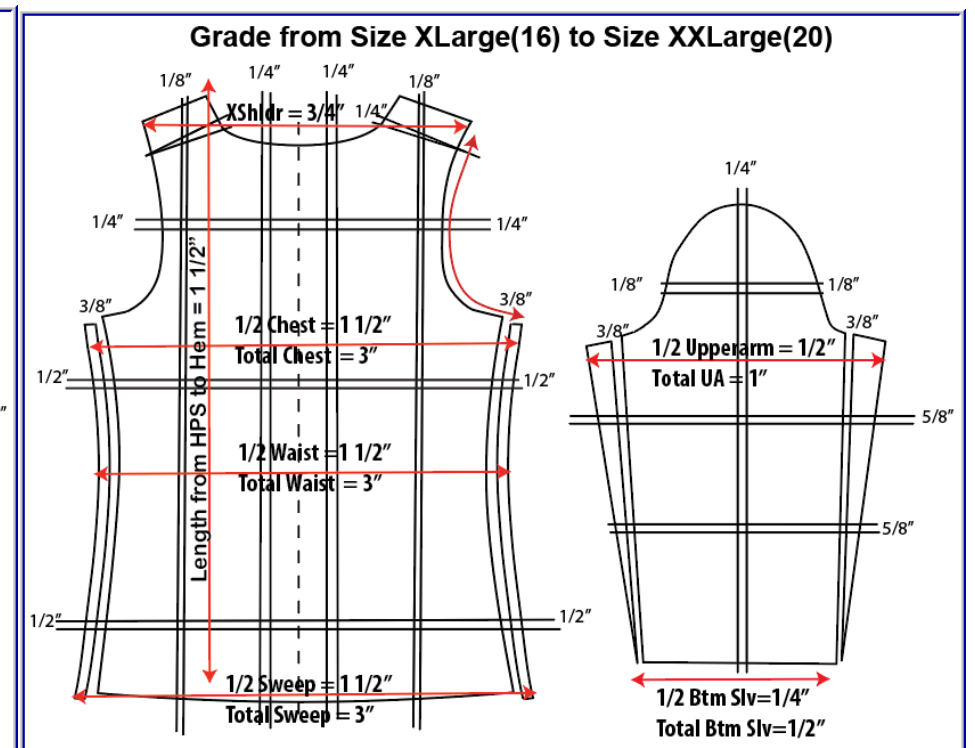
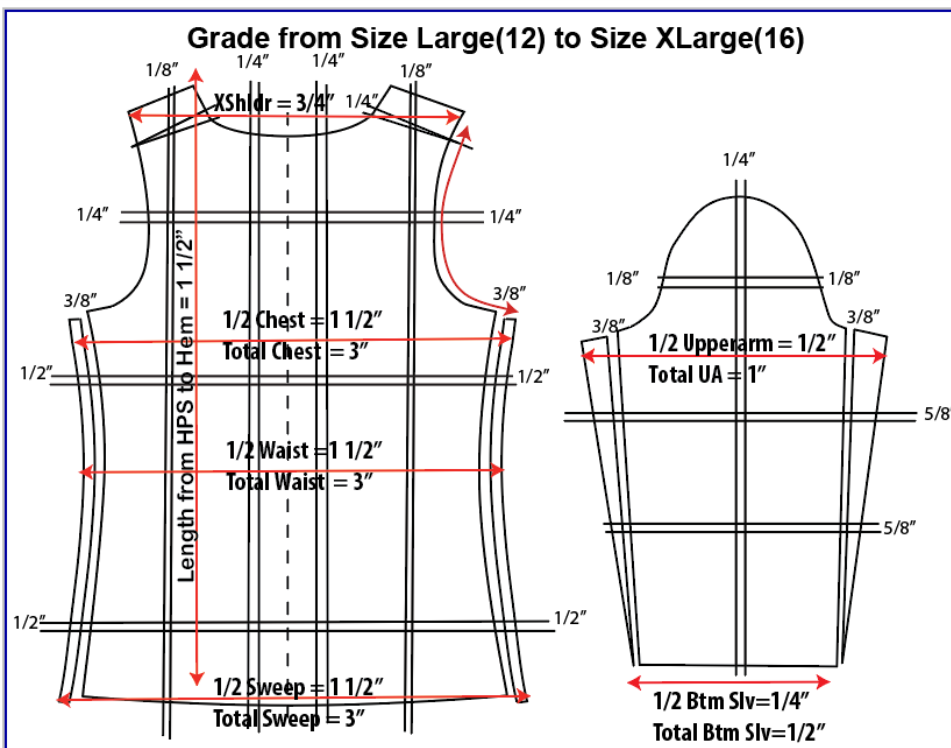
BIG GIRLS TOPS CONVERSION & GRADE – ALPHA (XXSMALL –XXLARGE)

****NOTE: GRADING SHOULD BE DONE TO THE EXACT AMOUNT. THE GRADE SHEET IS SET UP TO THE NEAREST 1/8" FOR QA AUDITORS. SIXTEENTH AND THIRTY-SECONDS ARE DROPPED OFF BUT IS PICKED UP ON THE NEXT SIZE.**

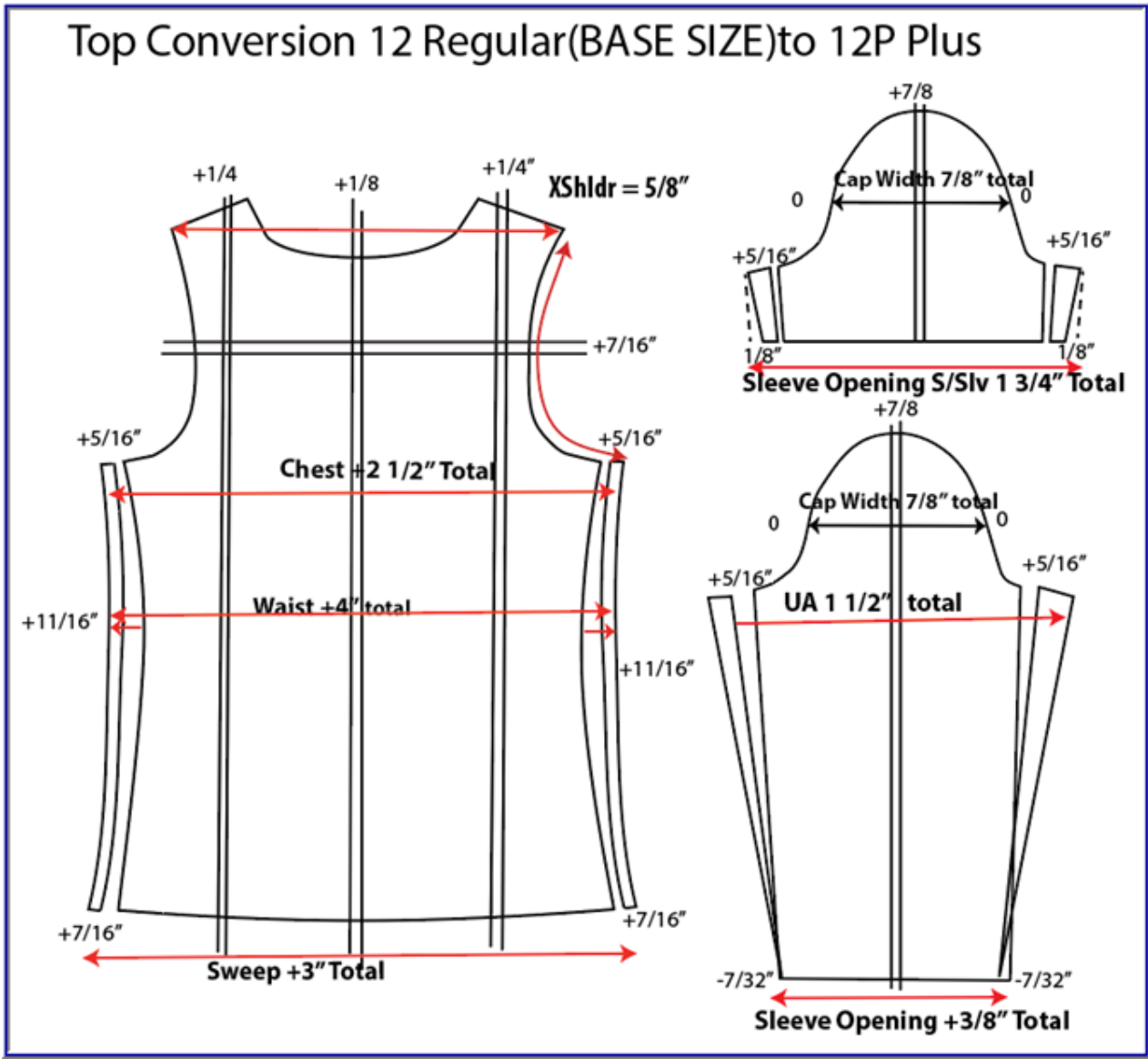
GRADE DOWN FROM SIZE LARGE(12) – TOPS ALPHA



GRADE UP FROM SIZE LARGE (12) – TOPS ALPHA



CONVERSION TO PLUS FROM SIZE LARGE(12)

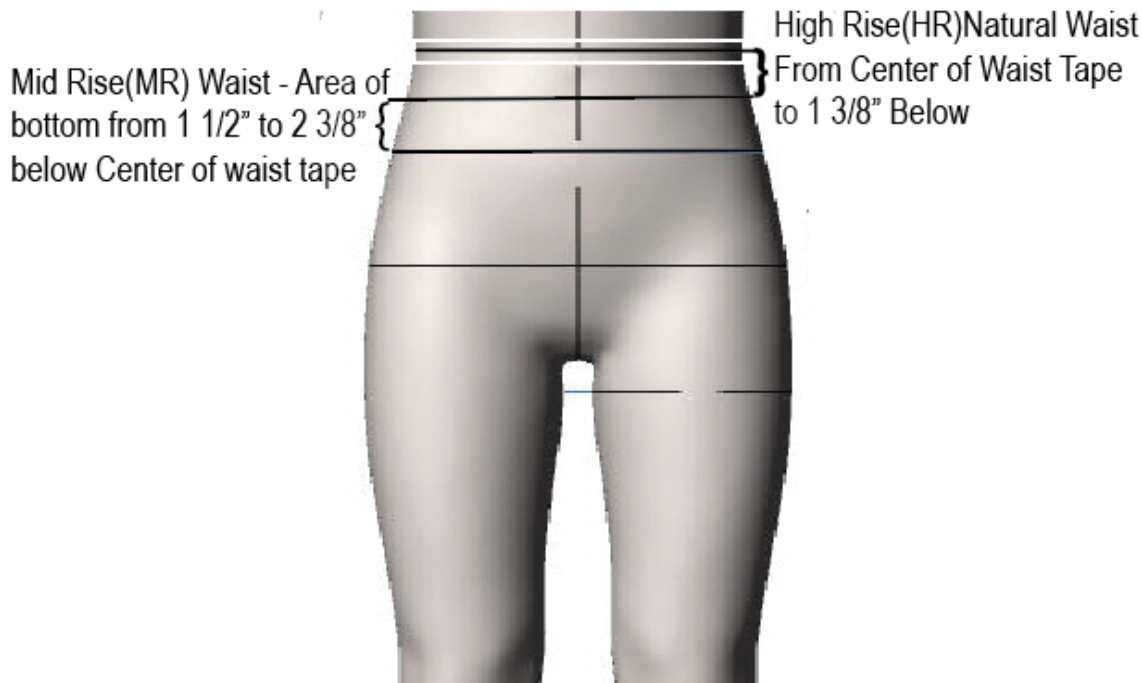


BIG GIRLS CONVERSION & GRADE NUMERIC (4-20)

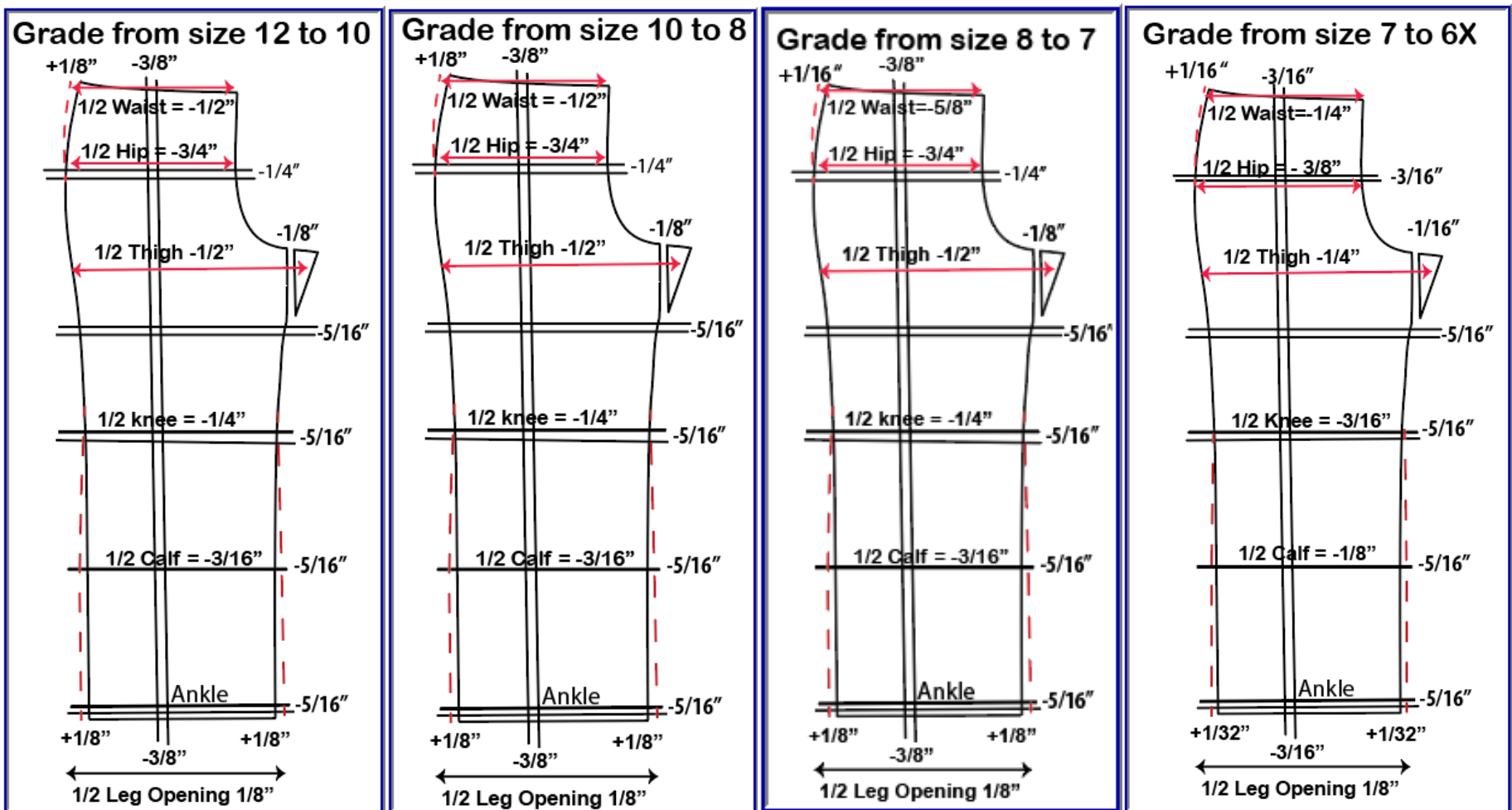
****NOTE: GRADING SHOULD BE DONE TO THE EXACT AMOUNT. THE GRADE SHEET IS SET UP TO THE NEAREST 1/8" FOR QA AUDITORS. SIXTEENTH AND THIRTY-SECONDS ARE DROPPED OFF BUT IS PICKED UP ON THE NEXT SIZE.**

HOW TO DETERMINE WHETHER HIGH RISE OR MID RISE GRADE?

Where the garment sits on the Form determines whether it is Mid Rise Waist or High Rise (closer to the natural waist)

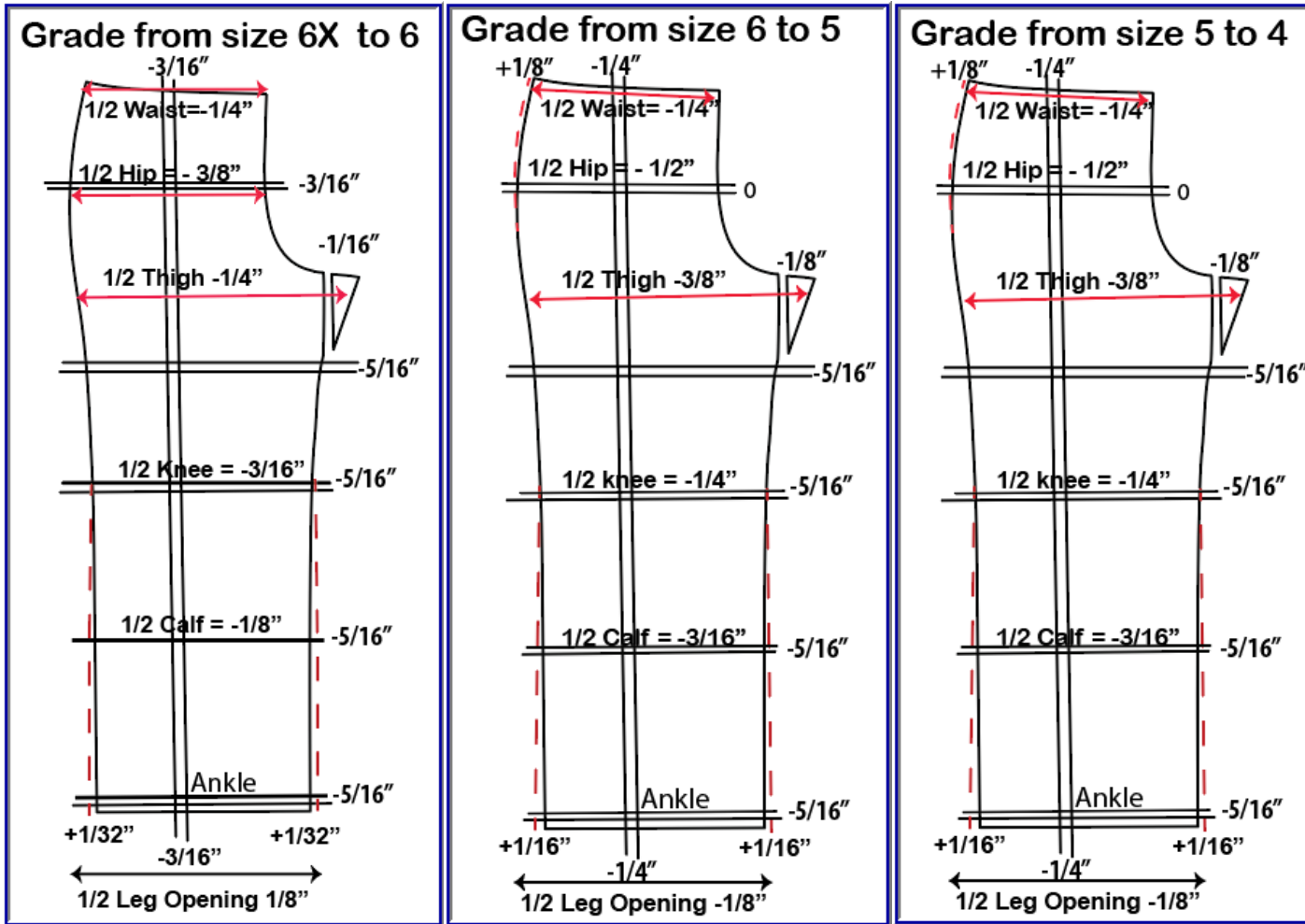


GRADE DOWN FROM SIZE 12 – BOTTOMS NUMERIC (MID RISE)

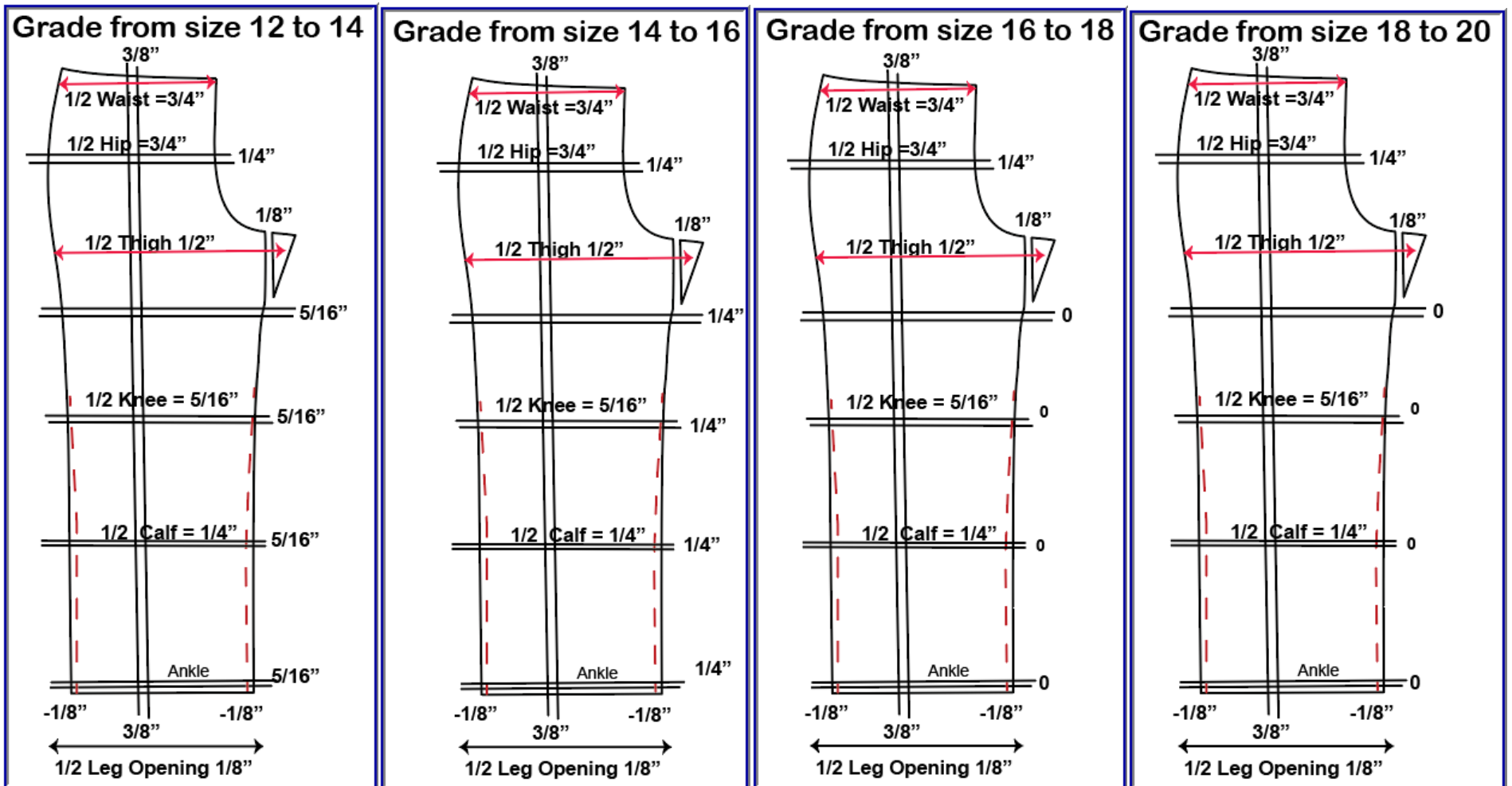


BIG GIRLS CONVERSION & GRADE NUMERIC (4-20)

GRADE DOWN FROM SIZE 12 – BOTTOMS NUMERIC (MID RISE)



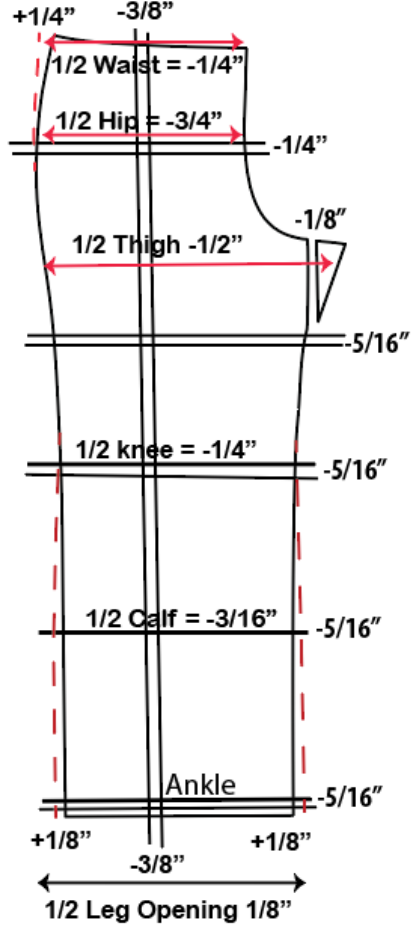
GRADE UP FROM SIZE 12 – BOTTOMS NUMERIC (MID RISE & HIGH RISE)



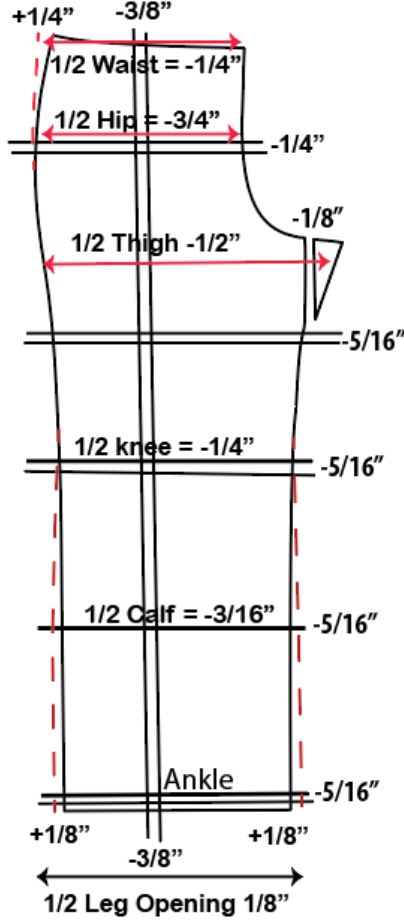
BIG GIRLS CONVERSION & GRADE NUMERIC (4-20)

GRADE DOWN FROM SIZE 12 – BOTTOMS NUMERIC (HIGH RISE)

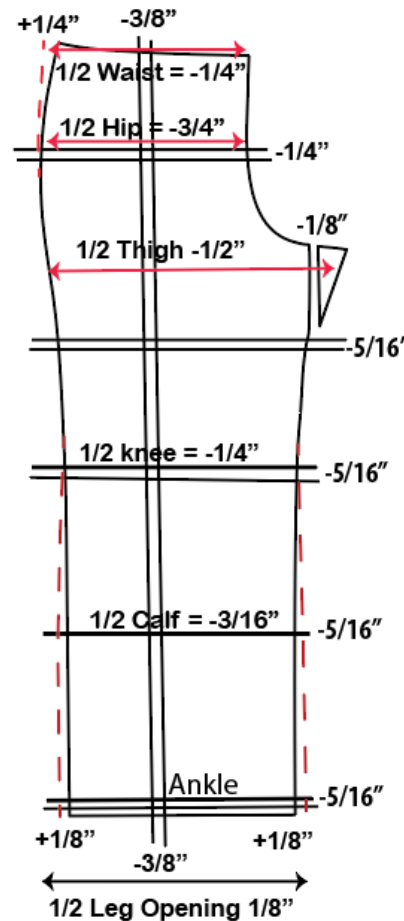
Grade from size 12 to 10



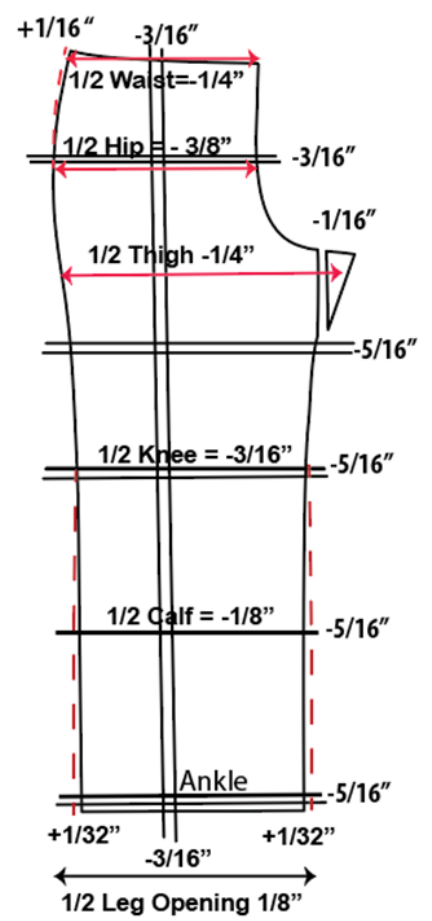
Grade from size 10 to 8



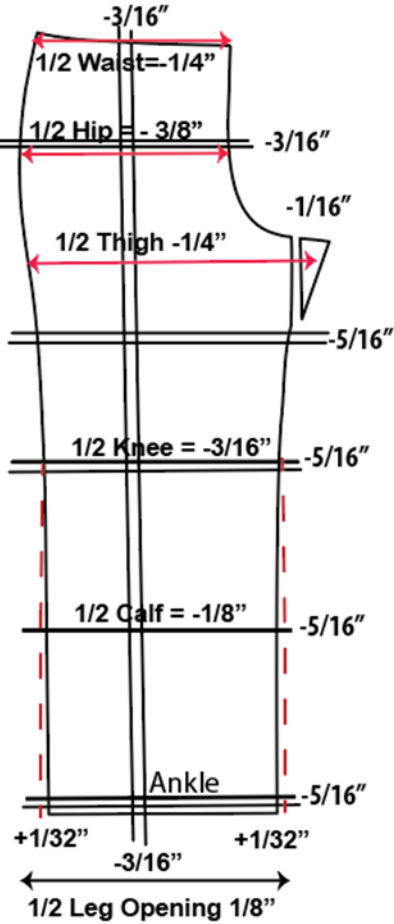
Grade from size 8 to 7



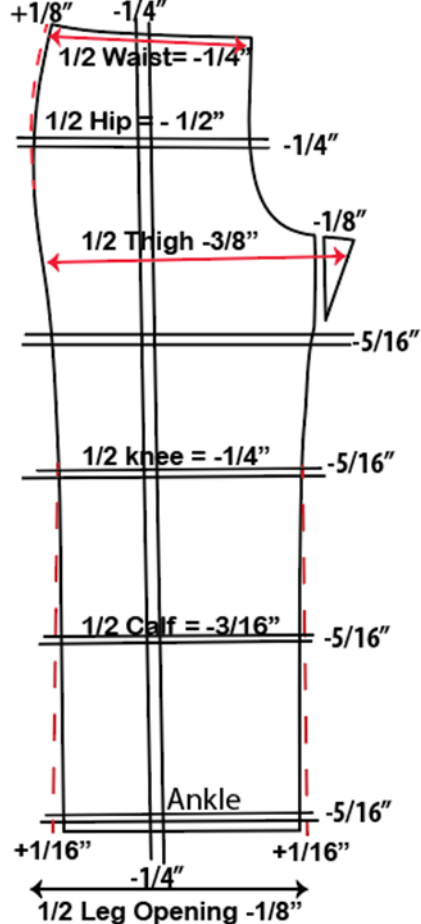
Grade from size 7 to 6X



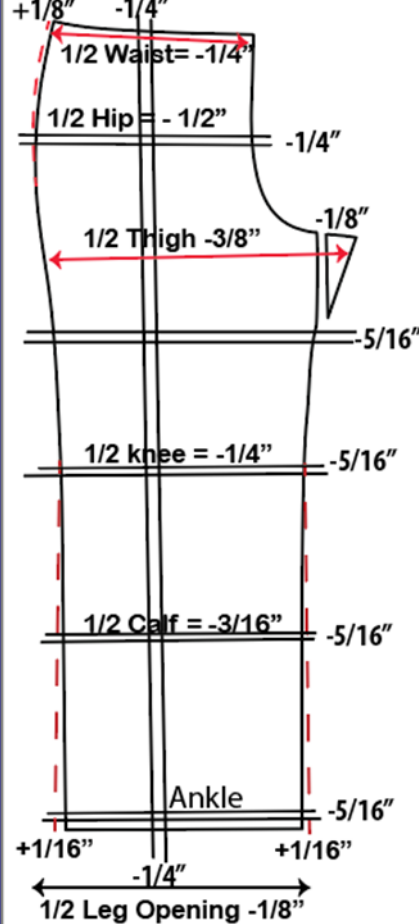
Grade from size 6X to 6



Grade from size 6 to 5



Grade from size 5 to 4



CONVERSION TO PLUS AND SLIM FROM SIZE 12

