

Kohl's Home Textiles

How to Measure

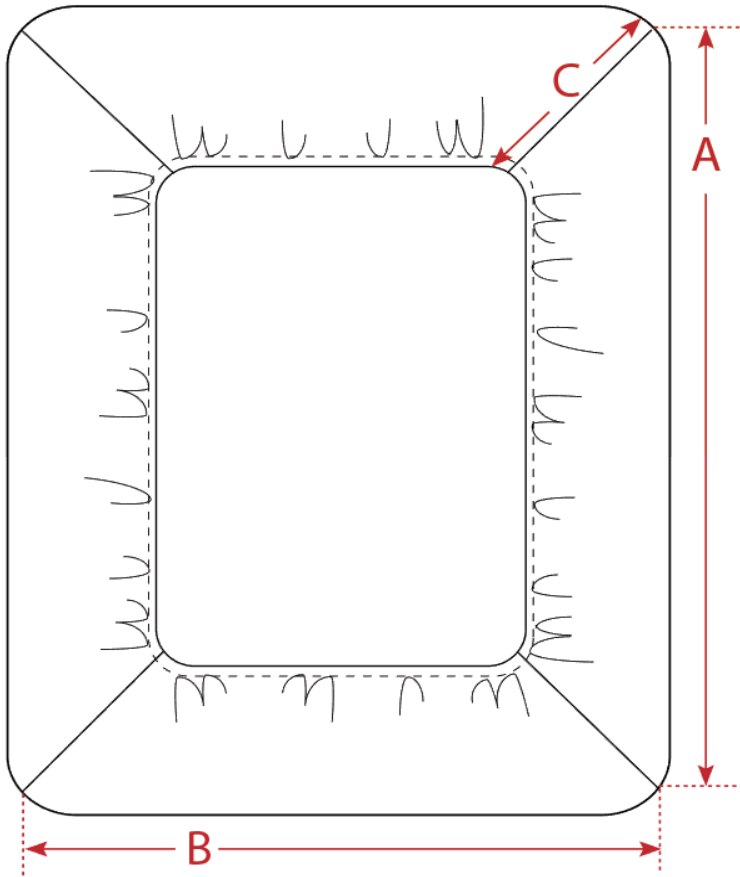
600 – Bedding Products

KOHL'S

Table of Contents

- SheetsSlides 3-5
- Comforter/Blanket/Quilt/Coverlet/Bedspread/Throw.....Slide 6
- Comforter Cover (Duvet).....Slide 7
- Pillow CoversSlides 8-9
- Bedskirt.....Slide 10
- Mattress Pad.....Slide 11
- Mattress TopperSlide 12
- PillowSlide 13
- Dec PillowsSlides 14-15

Kohl's How to Measure Manual - Bedding



601-02

Sheet - Fitted

02A: Length

Measure straight from corner to corner along edge.

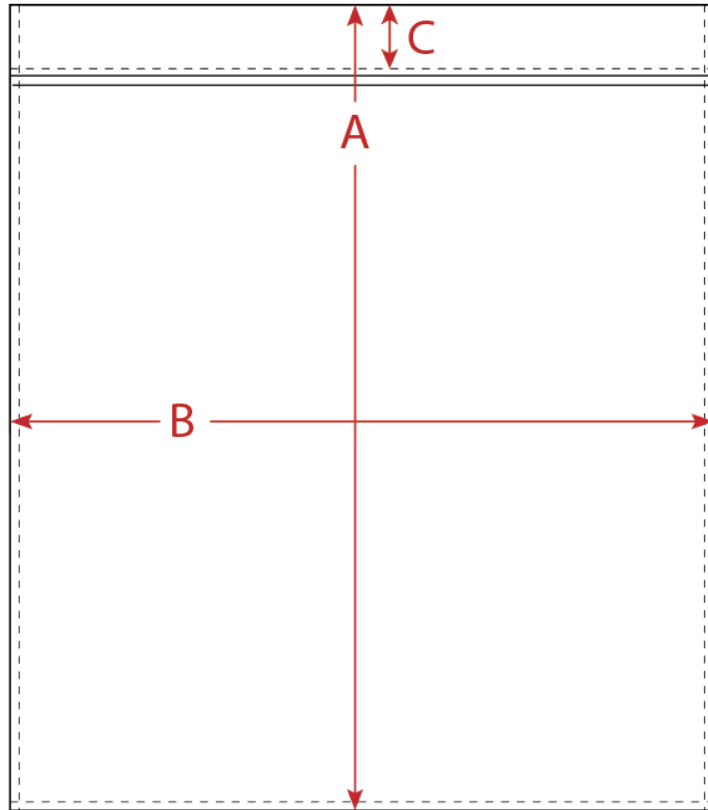
02B: Width

Measure straight from corner to corner along edge.

02C: Pocket Depth

Measure from corner to edge along pocket seam.

Kohl's How to Measure Manual - Bedding



601-04

Sheet - Flat

04A: Length

Measure straight from edge to edge at center.

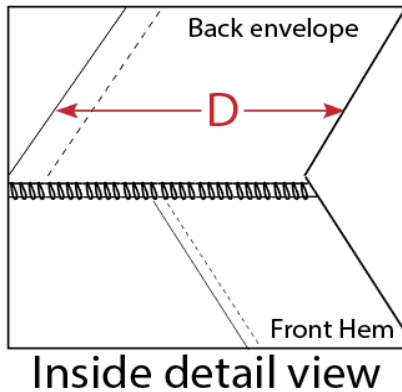
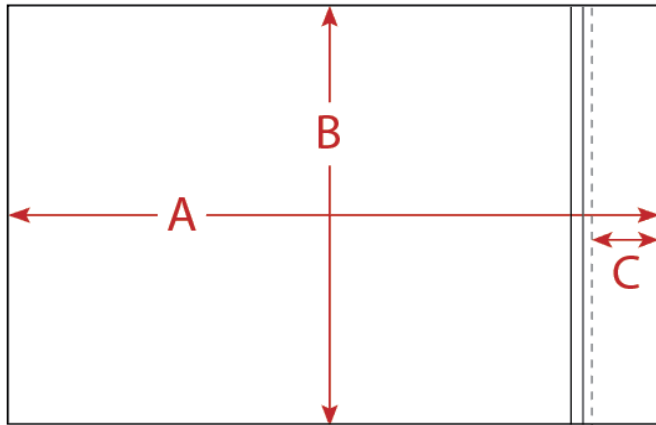
04B: Width

Measure straight from edge to edge at center.

04C: Cuff Width

Measure straight from top edge to top hem stitch line.

Kohl's How to Measure Manual - Bedding



601-06

Sheet - Pillowcase

06A: Length

Measure straight from edge to edge at center.

06B: Width

Measure straight from edge to edge at center.

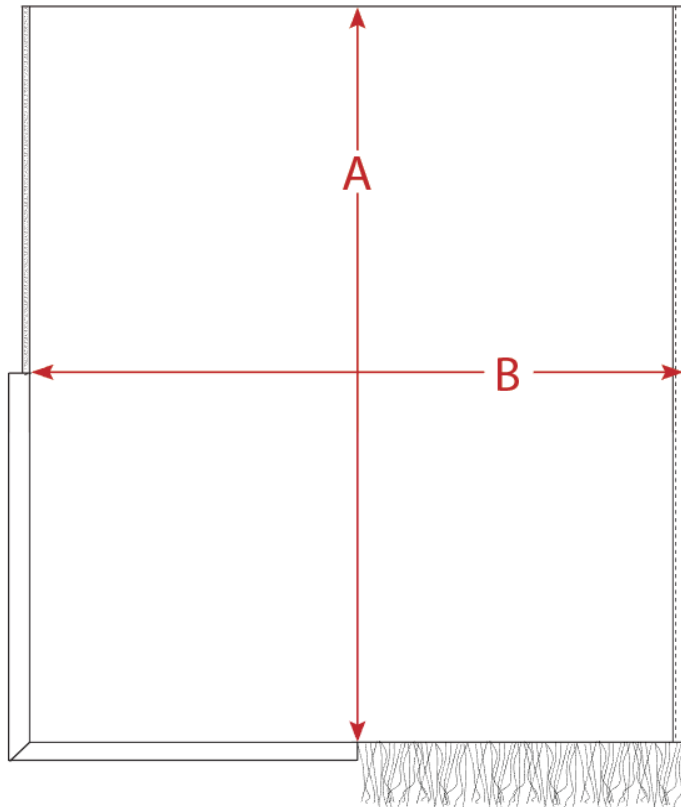
06C: Cuff Width

Measure straight from top edge to top hem stitch line.

06D. Back Envelope

Measure straight from top edge to bottom of envelope hem.

Kohl's How to Measure Manual - Bedding



602-02

Comforter/Blanket/Quilt/
Coverlet/Bedspread/Throw

02A: Length

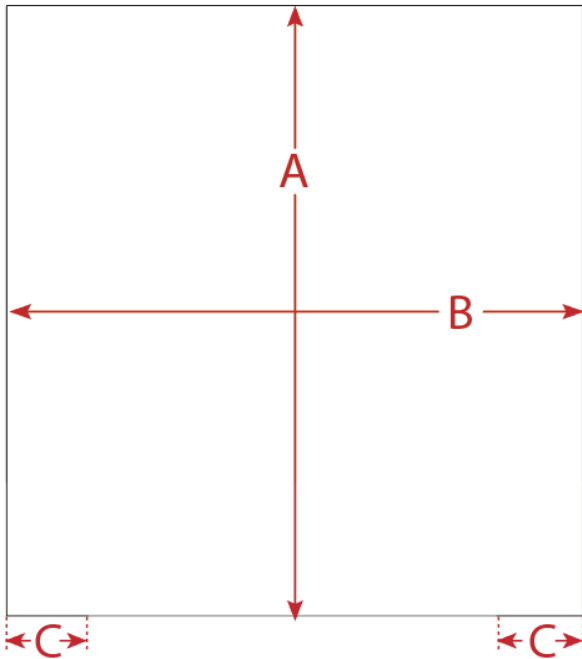
Measure straight from seam or edge to seam or edge at center, excluding any extension in measurement.

02B: Width

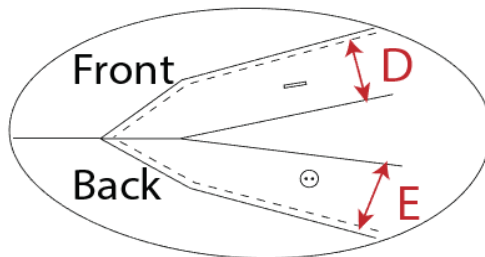
Measure straight from seam or edge to seam or edge at center, excluding any extension in measurement.

Reference *Home Textiles How to Measure*
- *Trim* manual for further clarification.

Kohl's How to Measure Manual - Bedding



Opening
Detail
View



602-04

Comforter Cover (Duvet)

04A: Length

Measure straight from edge to opening hem at center

04B: Width

Measure straight from edge to edge at center.

04C: Opening Placement

Measure straight from beginning of opening to nearest corner.

04D: Front Hem Opening Width

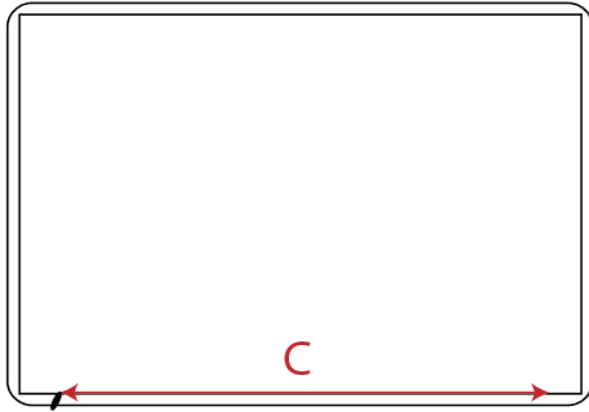
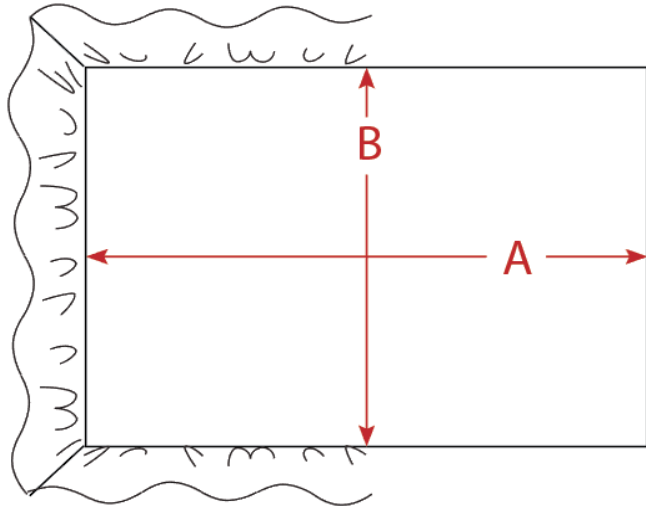
Measure straight from edge to edge.

04E: Back Hem Opening Width

Measure straight from edge to edge.

Reference *Home Textiles How to Measure - Trim* manual for further clarification.

Kohl's How to Measure Manual - Bedding



602-06

Pillow Cover - Knife Edge/Flange/Piping

06A: Pocket Length

Measure straight from seam to seam at center.

06B: Pocket Width

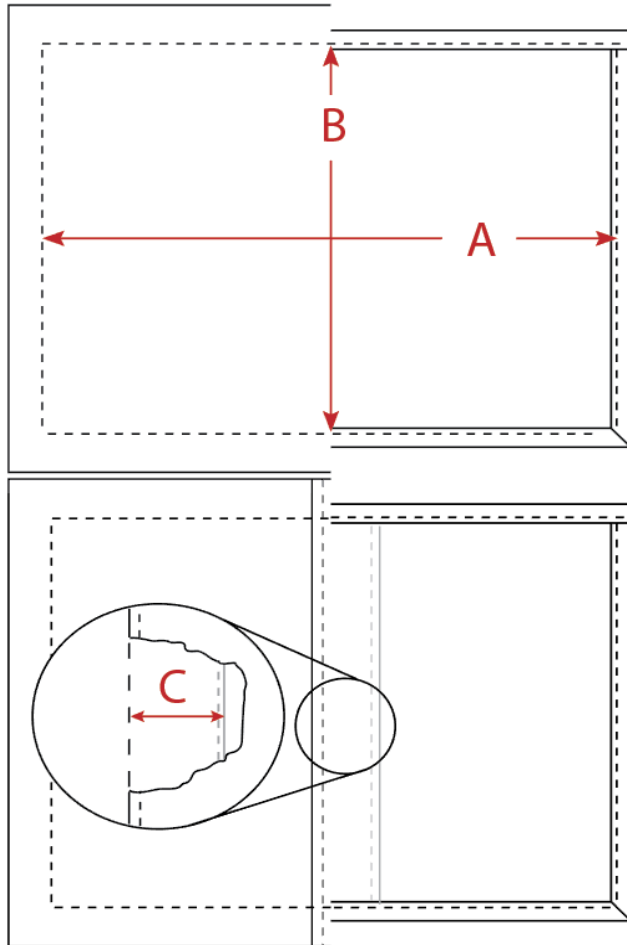
Measure straight from seam to seam at center.

06C: Zipper Opening

Measure from end to end of opening

Reference *Home Textiles How to Measure - Trim* manual for further clarification.

Kohl's How to Measure Manual - Bedding



602-08

Pillow Cover - Bound/TS Flange

08A: Pocket Length

Measure straight from stitch line to stitch line at center, (** excluding binding in measurement if applicable).

08B: Pocket Width

Measure straight from stitch line to stitch line at center, (** excluding binding in measurement if applicable).

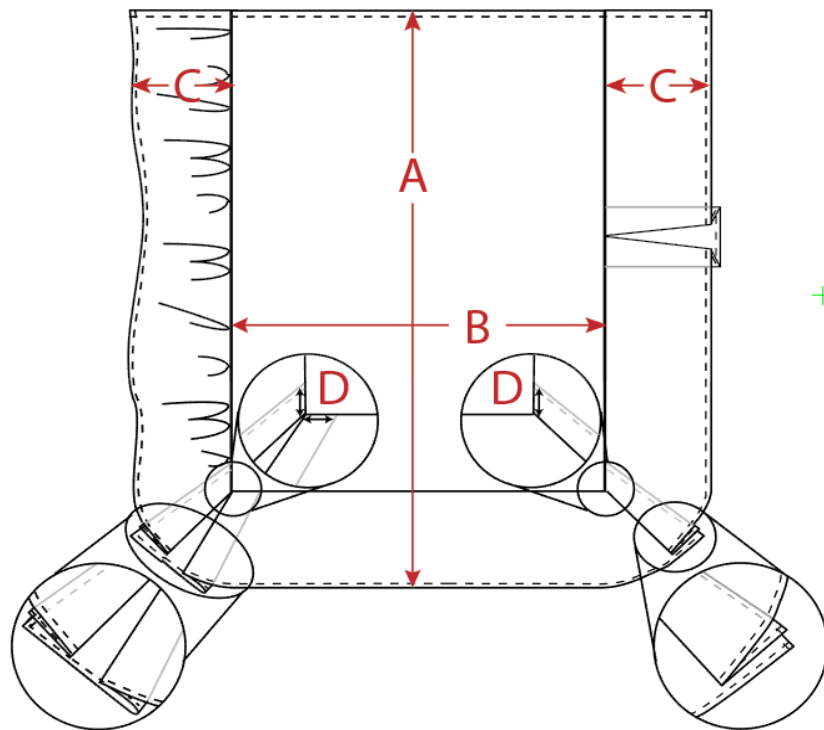
** Exclusion of binding on pillow cover measurement is an exception.

08C: Overlap

Measure distance of overlap between edges of outer overlap and inner overlap on back.

Reference *Home Textiles How to Measure - Trim* manual for further clarification.

Kohl's How to Measure Manual - Bedding



602-10 Bedskirt

10A: Platform Length
Measure straight from top hem to seam at center.

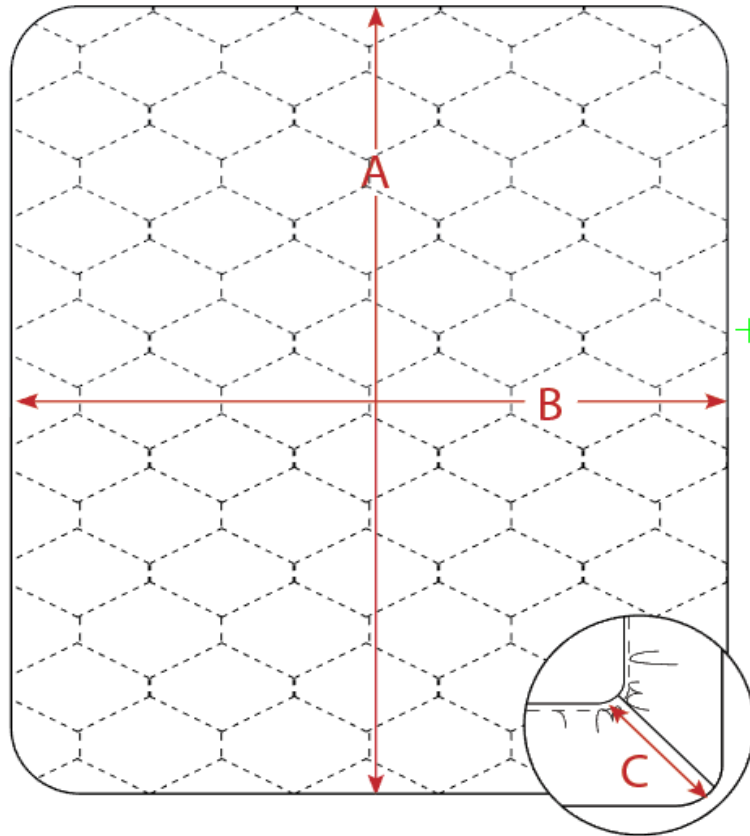
10B: Platform Width
Measure straight from seam to seam at center.

10C: Skirt Drop
Measure straight from joining seam to bottom drop hem.

10D: Corner Wrap
Measure straight from corner to hem or fold.

Reference *Home Textiles How to Measure - Trim* manual for further clarification.

Kohl's How to Measure Manual - Bedding



603-02

Mattress Pad

02A: Platform Length

Measure straight from seam to seam at center.

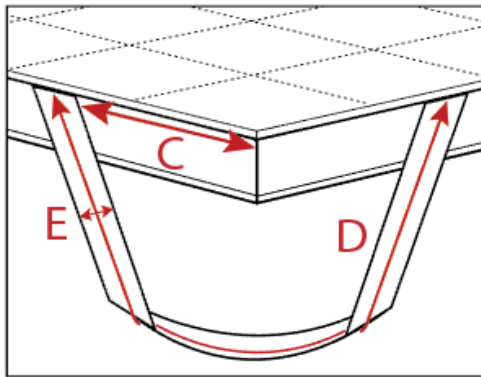
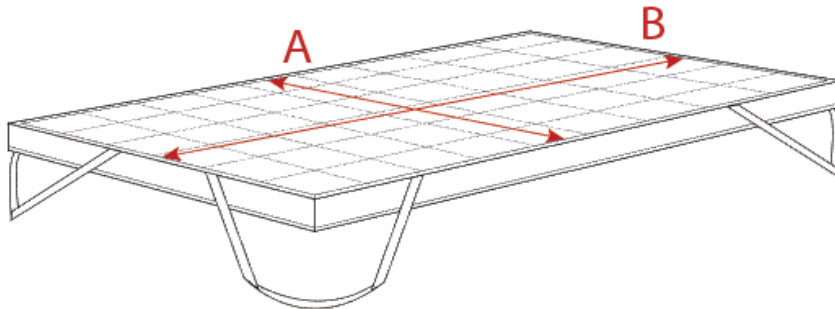
02B: Platform Width

Measure straight from seam to seam at center.

02C: Pocket Depth

Measure from corner to edge along pocket seam.

Kohl's How to Measure Manual - Bedding



+

603-04

Mattress Topper

04A: Platform Length

Measure straight from edge/seam to edge/seam at center.

04B: Platform Width

Measure straight from edge/seam to edge/seam at center.

04C: Band Placement

Measure straight from corner to first edge of band.

04D: Band Length

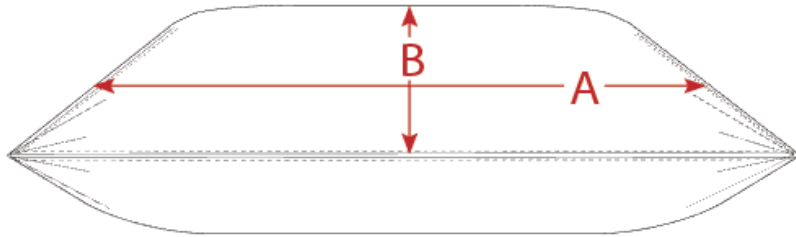
Measure from edge/seam to edge/seam, following the curve.

04E: Band Width

Measure straight across from edge to edge.

Reference *Home Textiles How to Measure - Trim* manual for further clarification

Kohl's How to Measure Manual - Bedding



+



604-02

Pillow

02A: Length

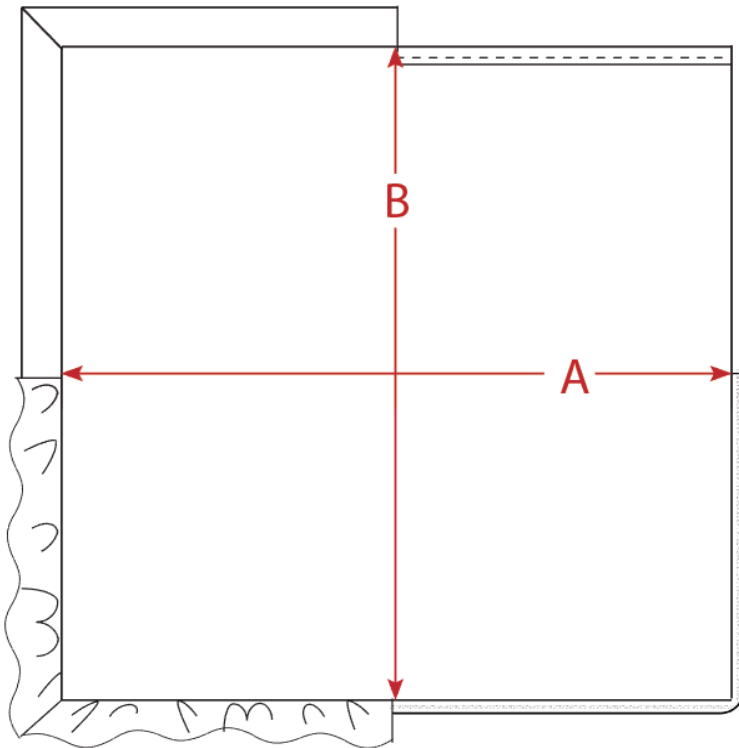
Measure straight from seam to seam at center, excluding piping in measurement.

02B: Width

Measure straight from seam to seam at center, excluding piping in measurement.

Reference *Home Textiles How to Measure - Trim* manual for further clarification.

Kohl's How to Measure Manual - Bedding



604-04

Dec Pillow/Pillow Form

04A: Length

Measure straight from seam or edge to seam or edge at center, excluding any extension in measurement.

04B: Width

Measure straight from seam or edge to seam or edge at center, excluding any extension in measurement.

Reference *Home Textiles How to Measure*
- *Trim* manual for further clarification.

Kohl's How to Measure Manual - Bedding

604-06

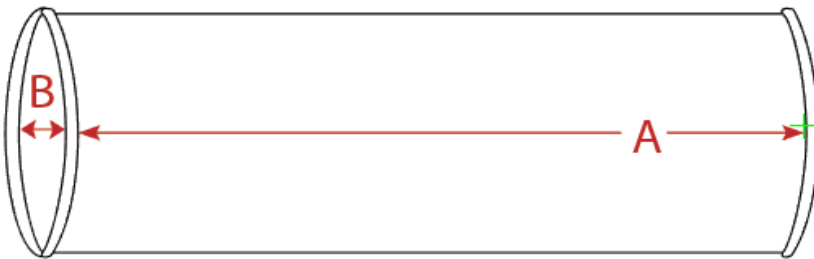
Dec Pillow Neckroll

06A: Length

Measure straight from seam to seam at center, excluding piping in measurement.

06B: Diameter

Measure straight from seam to seam through center, excluding piping in measurement.



Reference *Home Textiles How to Measure - Trim* manual for further clarification.