

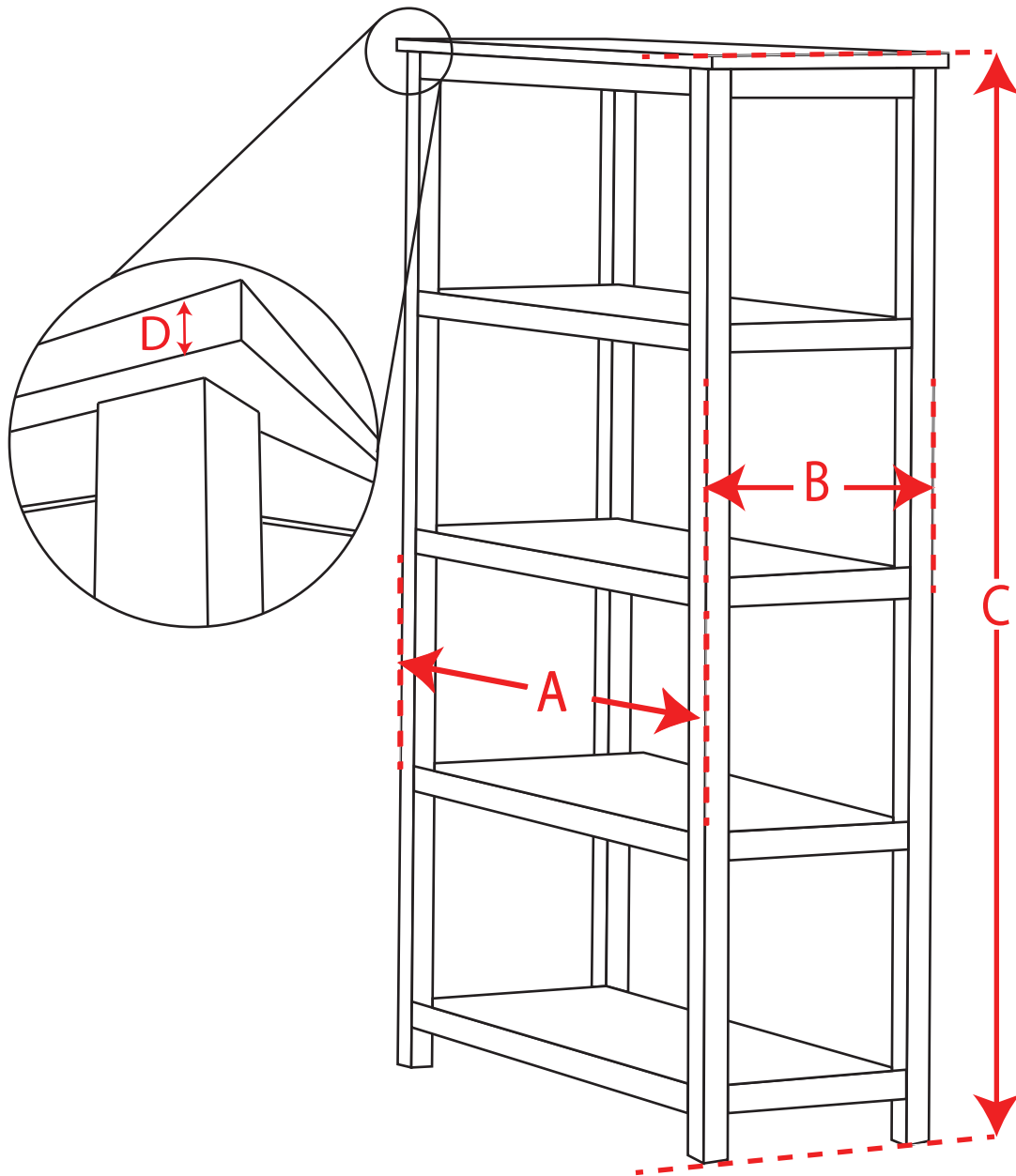
BOOKCASE

HOW TO MEASURE MANUAL

8/2/22

KOHL'S

Kohl's How to Measure Manual - Bookcase



403-02 Bookcase/Cabinet - Totals

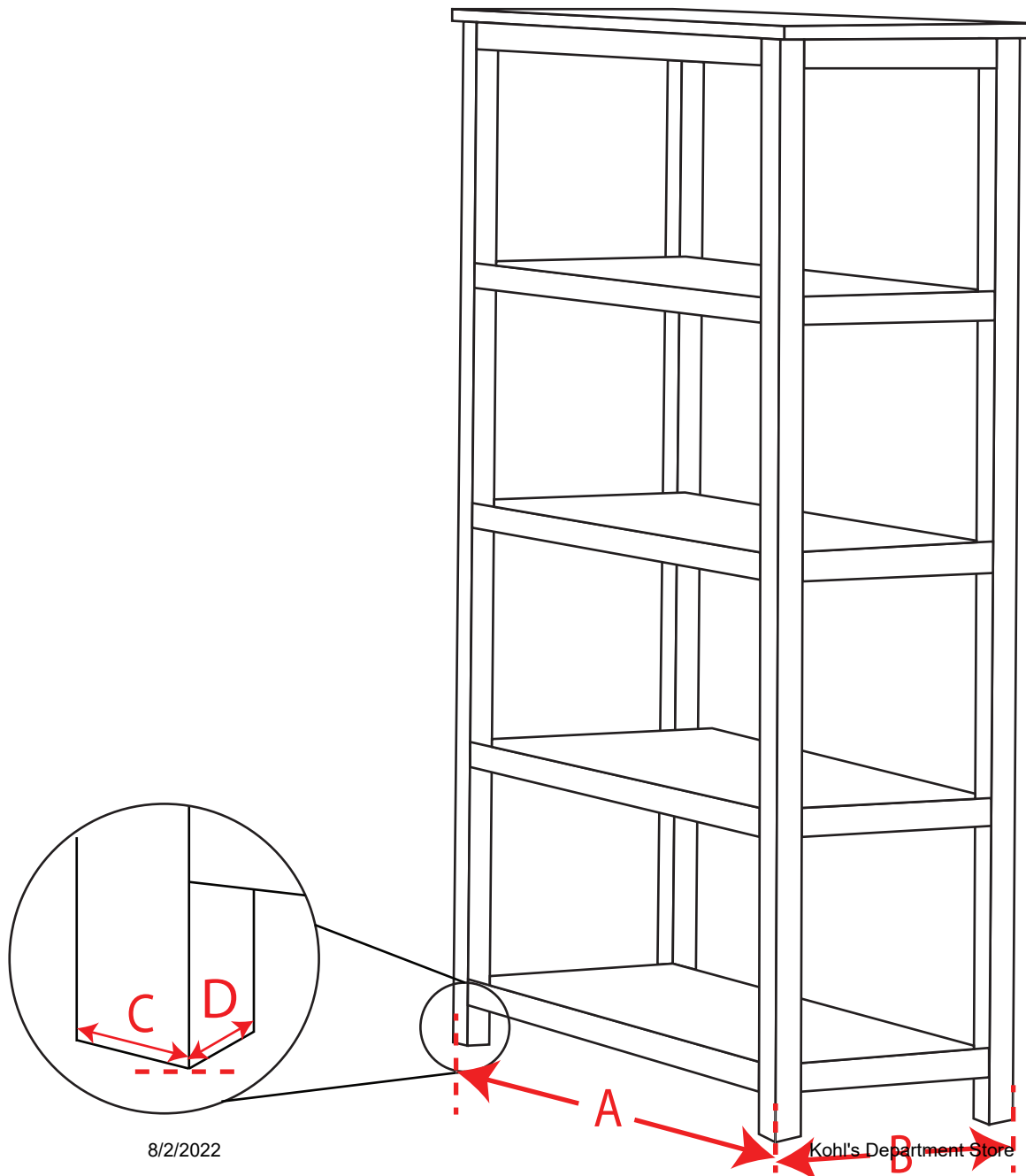
403-02A: Total Width
Measure straight from edge to edge at widest point.

403-02B: Total Depth
Measure straight from edge to edge at deepest point.

403-02C: Total Height
Measure straight from floor to top of bookshelf at highest point.

403-02D: Top Thickness
Measure top straight between bottom and top edges.

Kohl's How to Measure Manual - Bookcase



403-04

Bookcase/Cabinet - Leg Span

403-04A: Leg Span Width*

Measure straight from outer edge to outer edge at bottom of leg.

403-04B: Leg Span Depth*

Measure straight from outer edge to outer edge at bottom of leg.

403-04C: Leg Width*

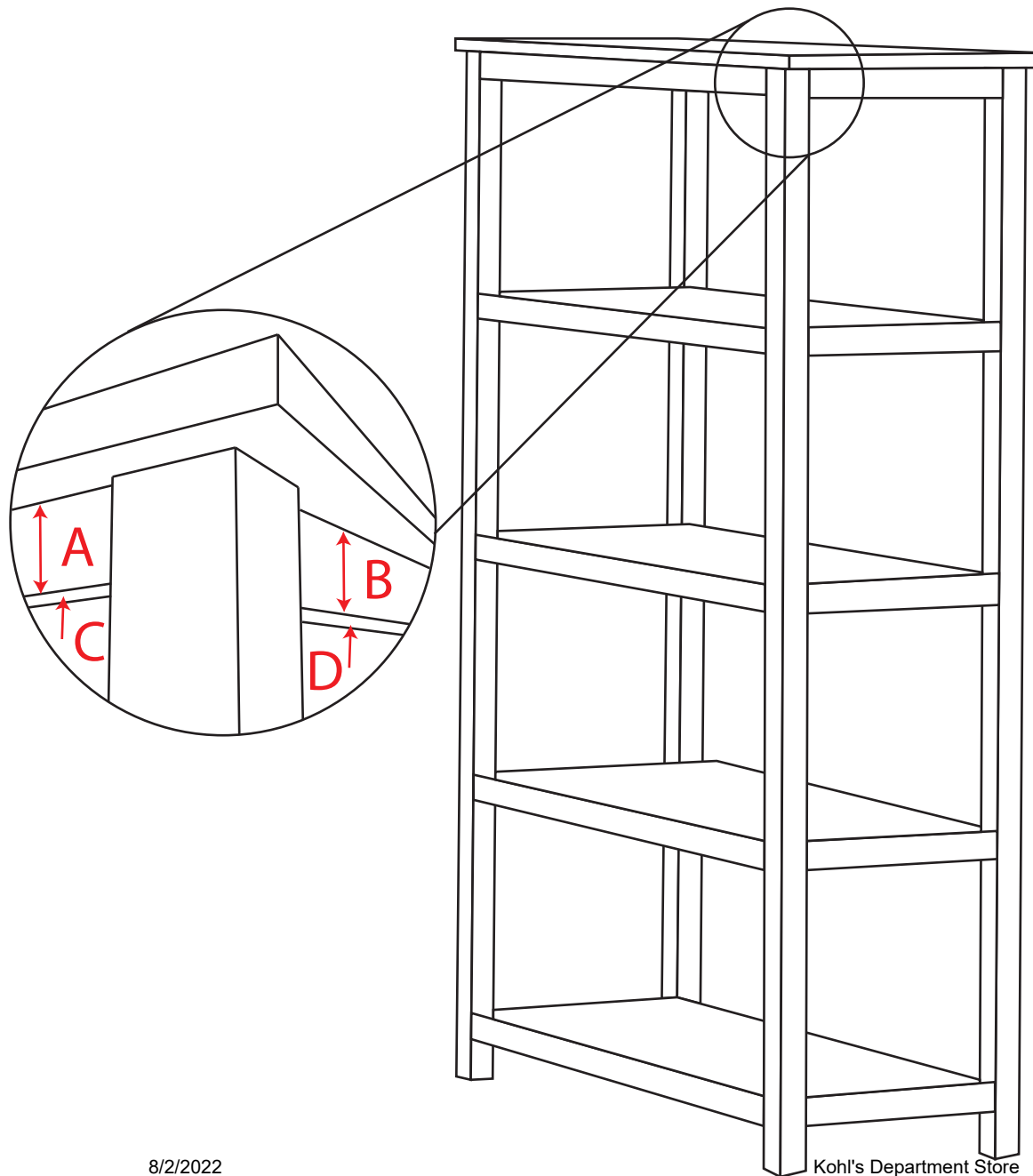
Measure straight from edge to edge on face of leg at floor.

403-04D: Leg Depth*

Measure straight from edge to edge on side of leg at floor.

*If legs are tapered, leg span and legs will be measured at top and bottom of legs

Kohl's How to Measure Manual - Bookcase



403-06

Bookcase/Cabinet - Apron

403-06A: Apron Width Front/Back*

Measure straight from the underside of top of bookshelf to the bottom of the apron.

403-06B: Apron Width Side/End

Measure straight from the underside of top of bookshelf to the bottom of the apron.

403-06C: Apron Thickness Front/Back*

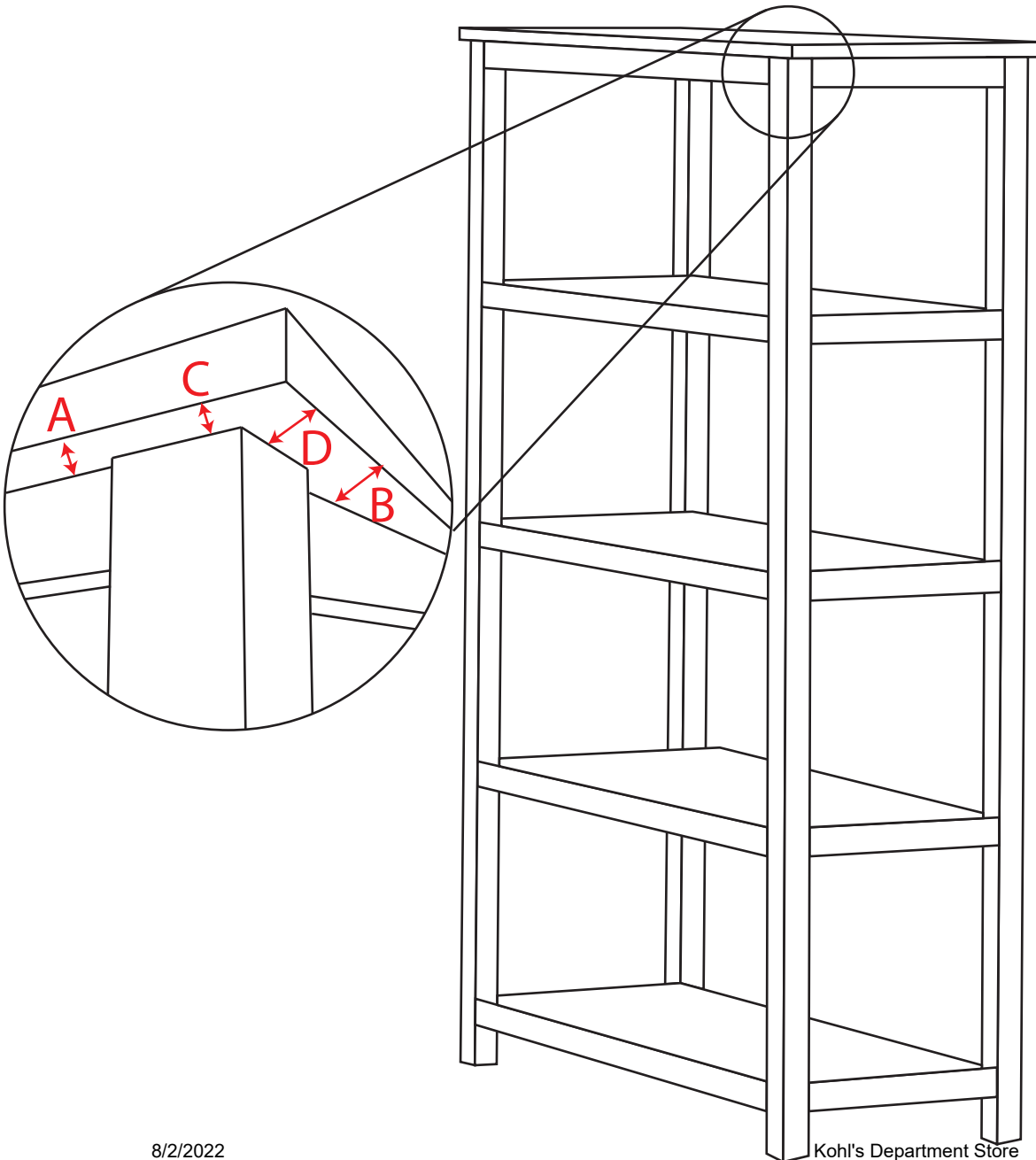
Measure apron straight between front and back edges.

403-06D: Apron Thickness Side/End

Measure apron straight between inside and outside edges.

*If front/back aprons are not identical, both front and back aprons must be measured.

Kohl's How to Measure Manual - Bookcase



403-08

Bookcase/Cabinet - Overhang

403-08A: Overhang at Apron Front/Back*
Measure straight from apron to outer edge of bookshelf top.

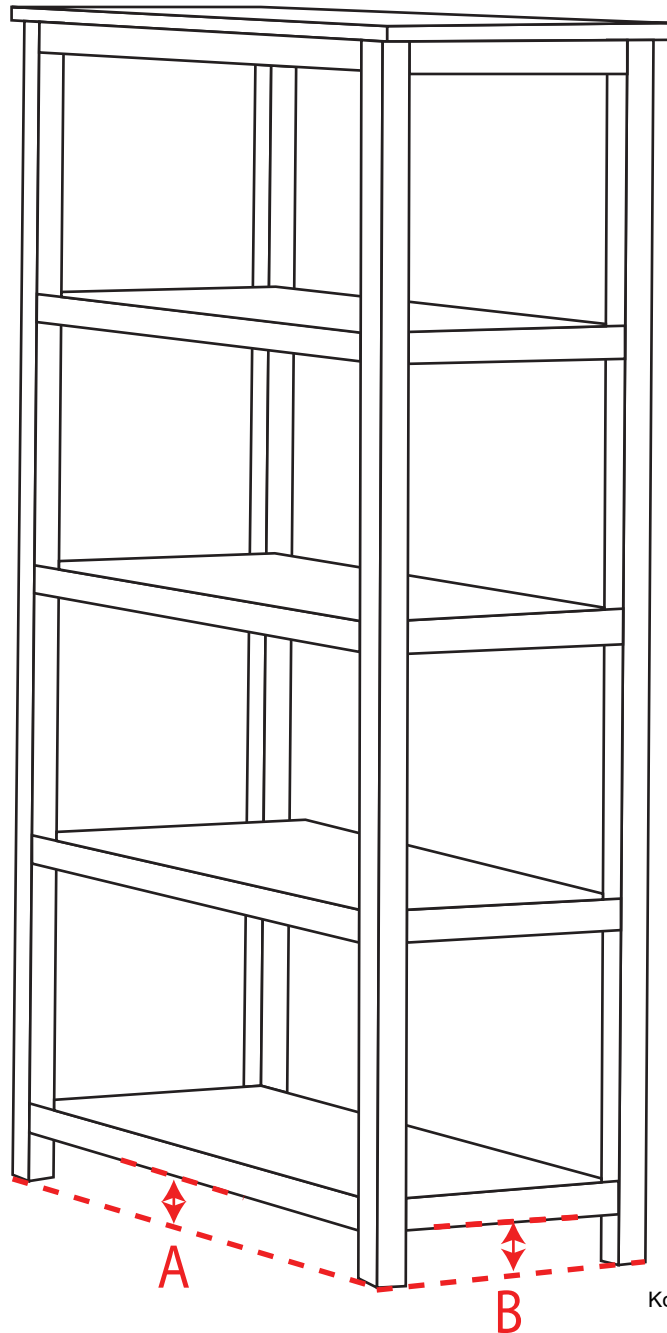
403-08B: Overhang at Apron side
Measure straight from apron to outer edge of bookshelf top.

403-08C: Overhang at Leg Front/Back*
Measure straight from leg to outer edge of bookshelf top.

403-08D: Overhang at Leg Side
Measure straight from leg to outer edge of bookshelf top.

*If front/back overhangs are not identical, both front and back overhangs must be measured.

Kohl's How to Measure Manual - Bookcase



403-10

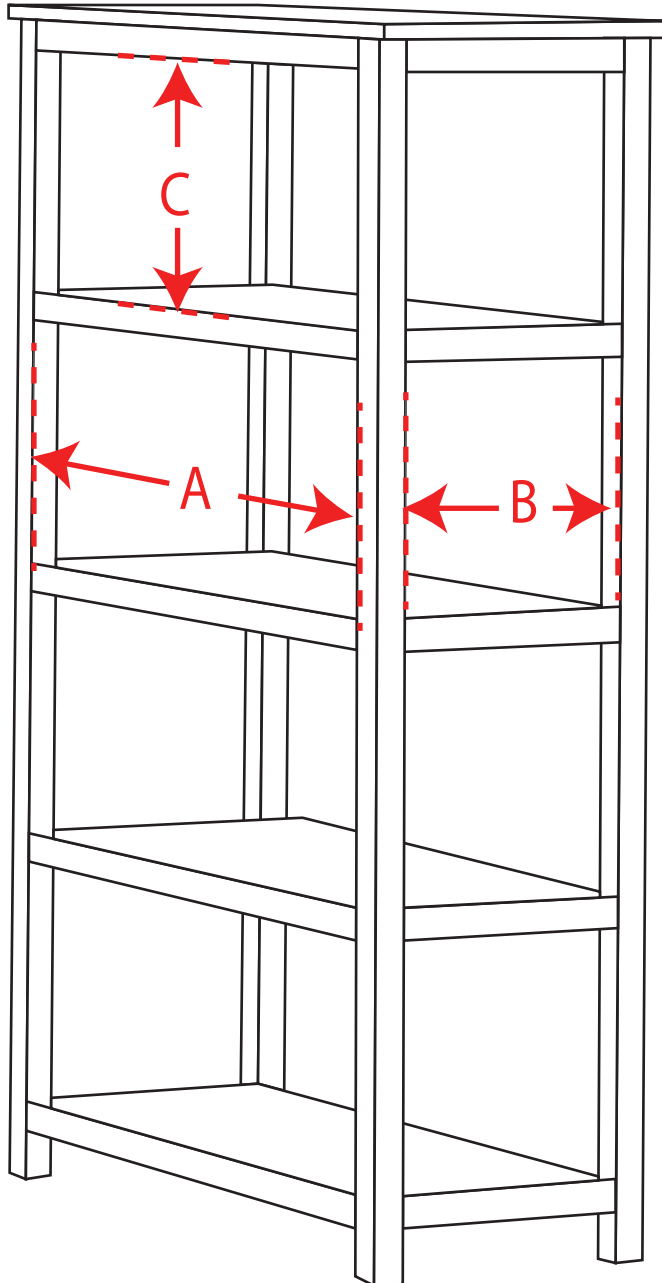
Bookcase/Cabinet - Floor Clearance

403-10A: Floor Clearance Front/Back
Measure straight from floor to underside of bottom shelf at center.

403-10B: Floor Clearance Side
Measure straight from floor to underside of bottom shelf at center.

*If apron of shelves is shaped, floor clearance must be measured at center and sides.

Kohl's How to Measure Manual - Bookcase



403-12

Bookcase/Cabinet - Shelf Opening

403-12A: Shelf Opening Width*

Measure straight between inside of legs from side to side at center of opening.

403-12B: Shelf Opening Depth*

Measure straight between inside of legs from front to back at center of opening.

403-12C: Shelf Opening Height*

Measure straight between top of shelf to bottom of apron at center of opening.

(If multiple shelves, all shelf openings must be measured)

*If legs are tapered, measure shelf width and depth at top and bottom instead of center

Kohl's How to Measure Manual - Bookcase

403-14

Bookcase/Cabinet - Shelves

403-14A: Shelf Width

Measure straight from edge to edge at widest point.

403-14B: Shelf Depth

Measure straight from edge to edge at deepest point.

403-14C: Shelf Thickness

Measure shelf straight between bottom and top edges.

(If multiple shelves, all shelves must be measured)

