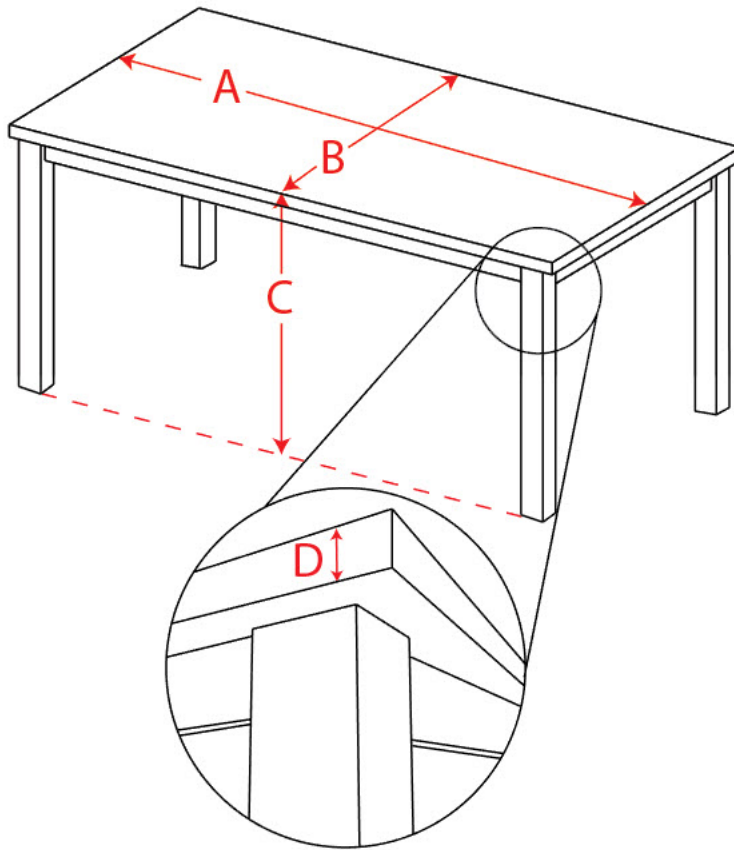


# TABLE HOW TO MEASURE MANUAL

**KOHL'S**

# Kohl's How to Measure Manual - Tables



400-02

## Table - Table Top

400-02A: Total Width

Measure straight from edge to edge at widest point.

400-02B: Total Depth

Measure straight from edge to edge at deepest point.

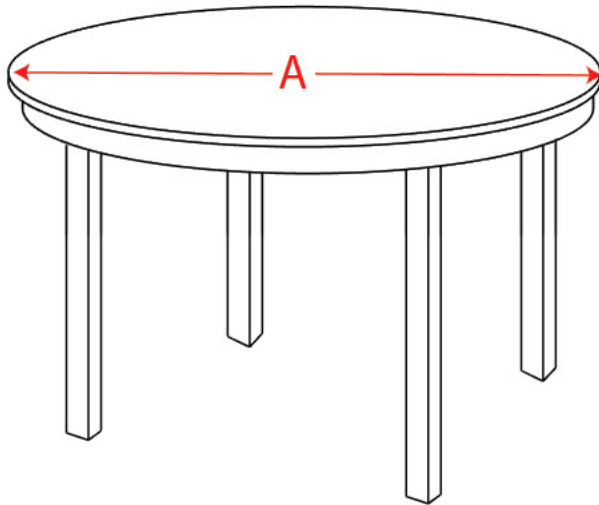
400-02C: Total Height

Measure straight from floor to top of table at highest point.

400-02D: Top Thickness

Measure tabletop straight between bottom and top edges.

# Kohl's How to Measure Manual - Tables



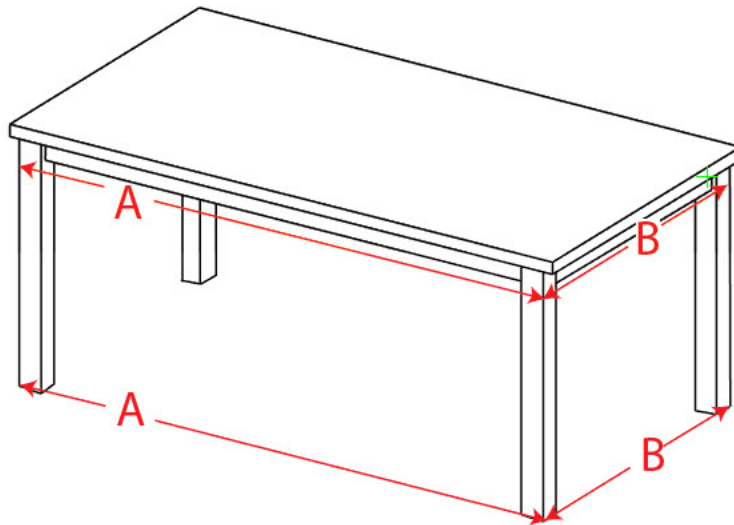
400-04

## Table - Top Diameter

400-04A: Top Diameter

Measure straight from edge to edge at center on tabletop.

# Kohl's How to Measure Manual - Tables



400-06

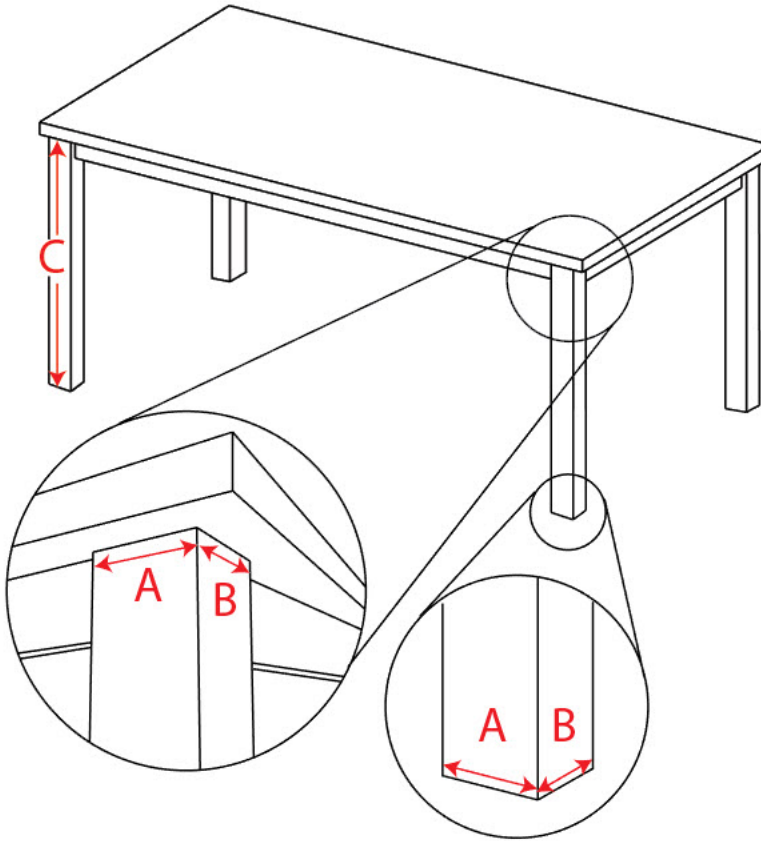
## Table - Leg Span

400-06A: Leg Span Width at Bottom of Legs\*  
Measure straight from outer edge to outer edge at bottom of leg.

400-06B: Leg Span Depth at Bottom of Legs\*  
Measure straight from outer edge to outer edge at bottom of leg.

\* If legs are tapered, leg span will be measured at top and bottom of legs.

# Kohl's How to Measure Manual - Tables



## 400-08 Table - Leg

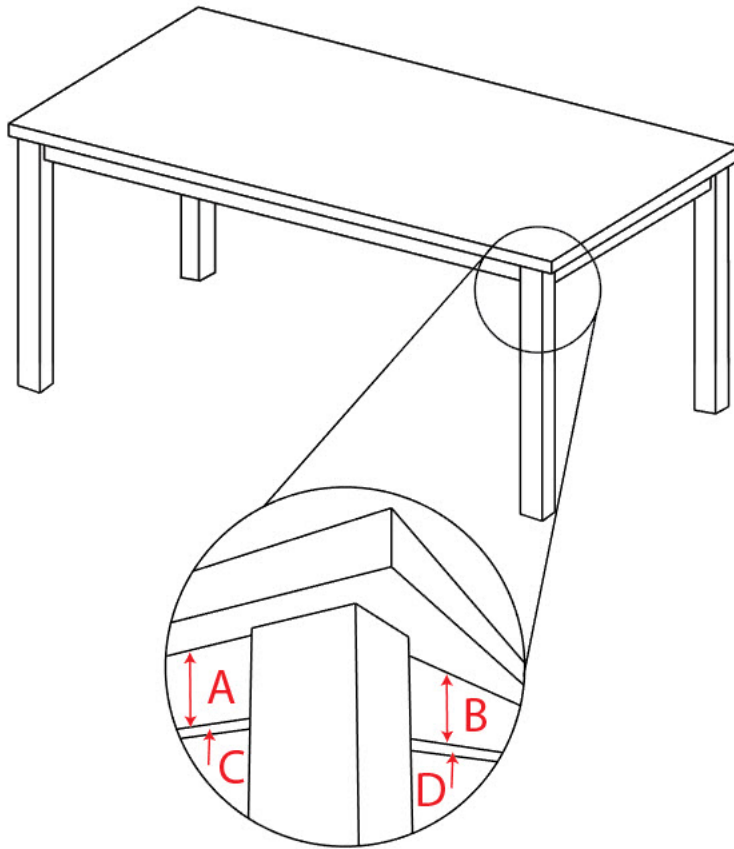
400-08A: Leg Width at Bottom\*  
Measure straight from edge to edge on face of leg at floor.

400-08B. Leg Depth at Bottom\*  
Measure straight from edge to edge on side of leg at floor.

400-08C. Leg Height  
Measure straight from floor to underside of tabletop at leg.

\* If legs are tapered, leg width will be measured at top and bottom of legs.

# Kohl's How to Measure Manual - Tables



400-10

## Table - Apron

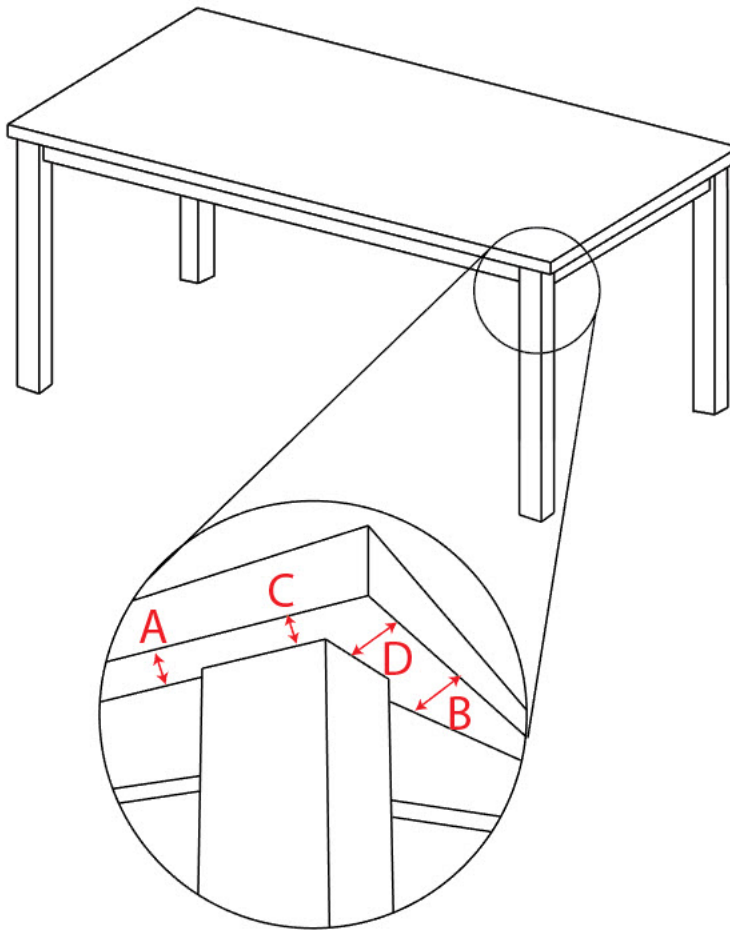
400-10A: Front/Back Apron Width  
Measure straight from the underside of tabletop to the bottom of the apron.

400-10B: Side/End Apron Width  
Measure straight from the underside of tabletop to the bottom of the apron.

400-10C: Front/Back Apron Thickness  
Measure apron straight between front and back edges.

400-10D: Side/End Apron Thickness  
Measure apron straight between inside and outside edges.

# Kohl's How to Measure Manual - Tables



400-12

## Table - Overhang

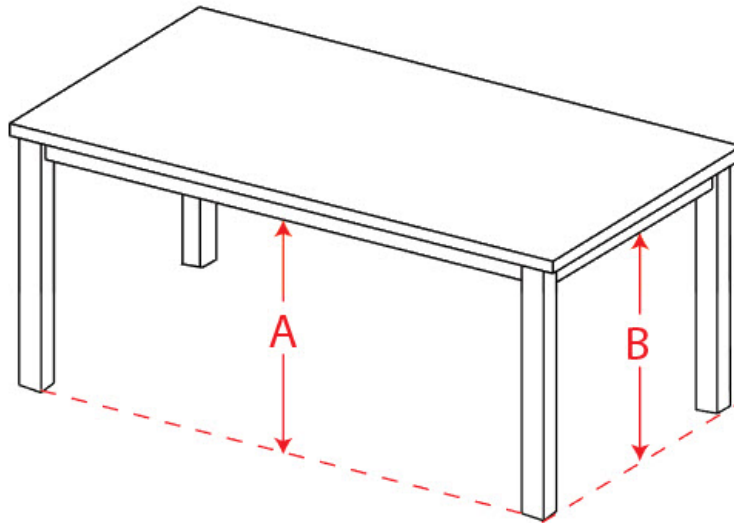
400-12A: Overhang at Front/Back of Apron  
Measure straight from apron to outer edge of tabletop.

400-12B: Overhang at Side End of Apron  
Measure straight from apron to outer edge of tabletop.

400-12C: Overhang at Front/Back of Leg  
Measure straight from leg to outer edge of tabletop.

400-12D: Overhang at Side/End of Leg  
Measure straight from leg to outer edge of tabletop.

# Kohl's How to Measure Manual - Tables



400-14

## Table - Table Clearance

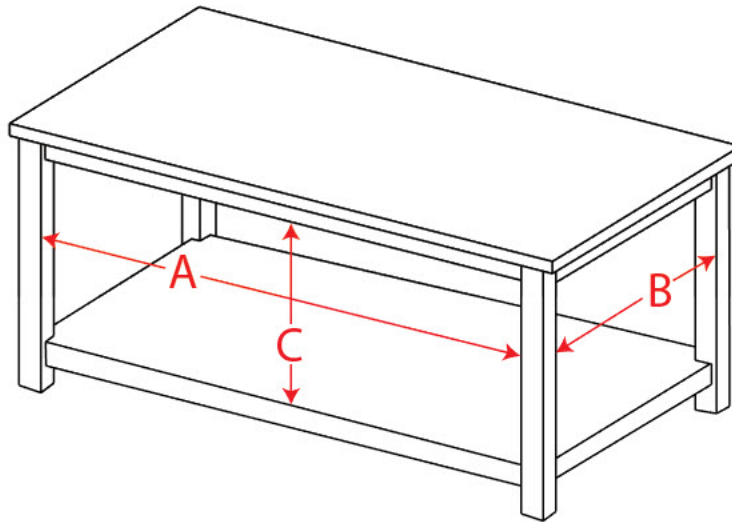
400-14A: Front/Back Table Clearance\*  
Measure straight from floor to underside of table or apron (if applicable) at center.

400-14B: Side/End Table Clearance\*  
Measure straight from floor to underside of table or apron (if applicable) at center.

\*If apron is shaped, table clearance must be measured at center and legs.



# Kohl's How to Measure Manual - Tables



400-16

## Table - Shelf Opening

400-16A: Shelf Opening Width\*

Measure straight between inside of legs from side to side at center of opening.

400-16B: Shelf Opening Depth\*

Measure straight between inside of legs from front to back at center of opening.

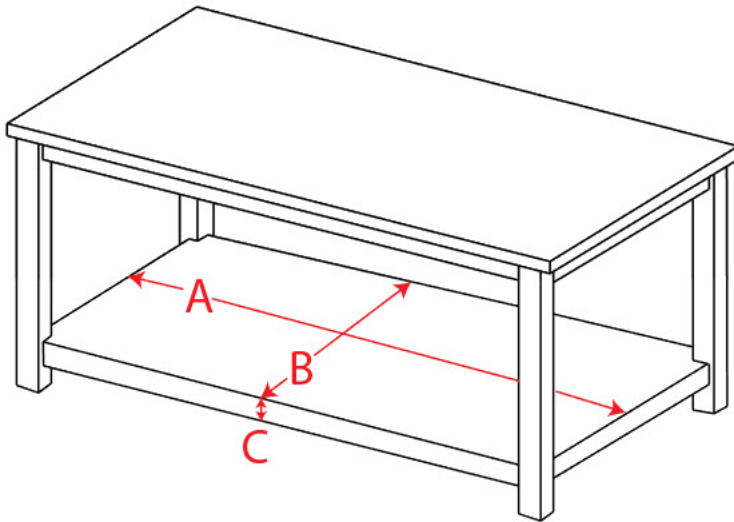
400-16C: Shelf Opening Height

Measure straight between top of shelf to bottom of apron at center of opening.

(If multiple shelves, all shelf openings must be measured)

\*If legs are tapered, measure shelf width and depth at top and bottom instead of center

# Kohl's How to Measure Manual - Tables



## 400-18 Table - Shelf

### 400-18A: Shelf Width

Measure straight from edge to edge at widest point.

### 400-18B: Shelf Depth

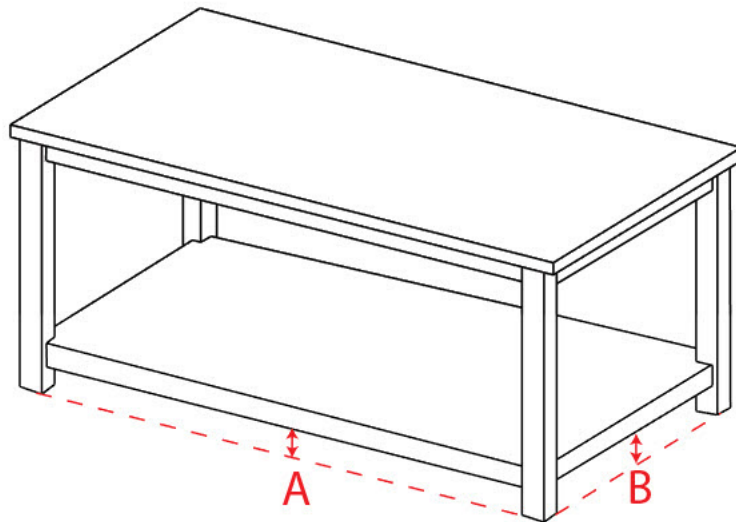
Measure straight from edge to edge at deepest point.

### 400-18C: Shelf Thickness

Measure shelf straight between bottom and top edges.

(If multiple shelves, all shelves must be measured)

# Kohl's How to Measure Manual - Tables



400-20

## Table - Floor Clearance

400-20A: Front/Back Shelf Clearance at Floor  
Measure straight from floor to shelf  
bottom at center.

400-20B: Side/End Shelf Clearance at Floor  
Measure straight from floor to shelf  
bottom at center.

\*If shelf is shaped, floor clearance must be  
measured at sides of front and back.