

Kohl's Home Textiles

How to Measure

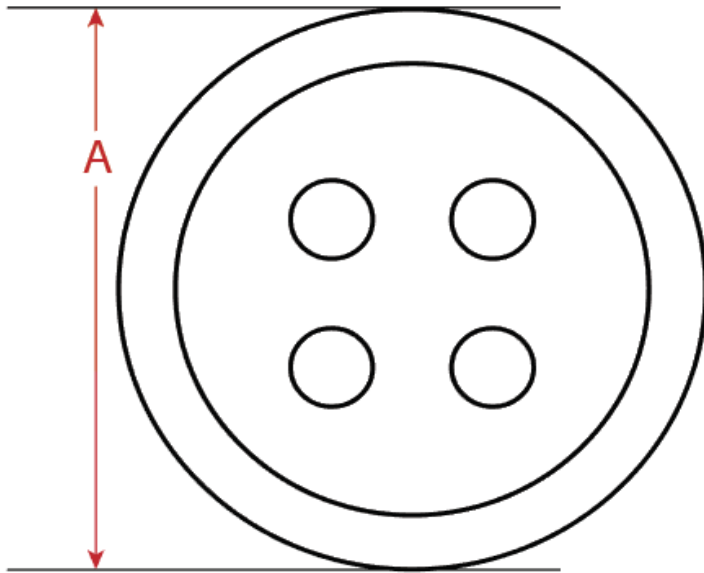
Trims

KOHL'S

Table of Contents

- Button
- Buttonhole
- Corner Loop
- Elastic Stretch Ratio
- Flange
- Fringe
- Gusset
- Inverted Pleat
- Piping
- Tassel
- Tie/Strap
- Zipper

Kohl's How to Measure Manual - Trims

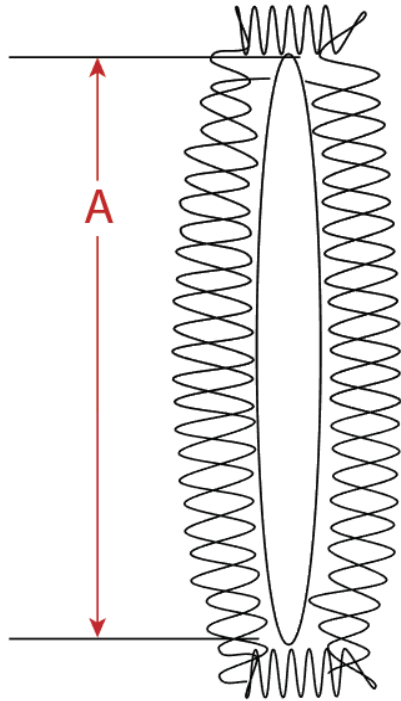


+

Trims
Button

005A: Button
Measure from outer edge to outer edge.

Kohl's How to Measure Manual - Trims

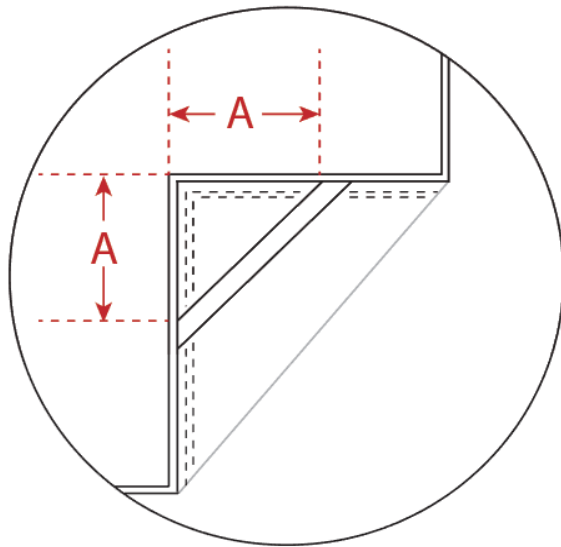


Trims Buttonhole

010A: Buttonhole
Measure from inside to inside of
bartacks. (Open part of the buttonhole.)

** Opening should be a minimum 1/8"
longer than the diameter of the button.

Kohl's How to Measure Manual - Trims



+

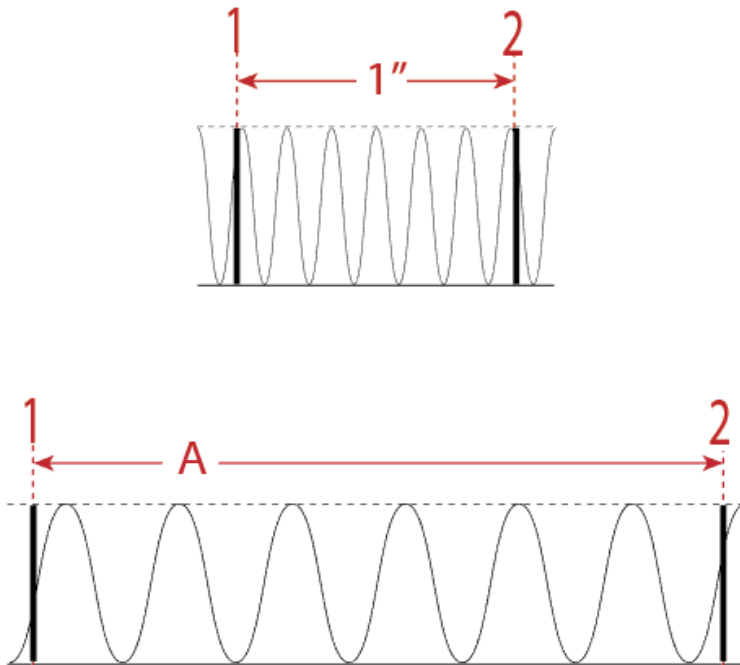
Trims

Corner Loop

015A: Corner Loop Placement

Measure from outer edge to start of loop placement.

Kohl's How to Measure Manual - Trims



Trims

Elastic Stretch Ratio

Lay elastic flat. Do not stretch.
Mark points 1 and 2 on relaxed elastic
1" apart.

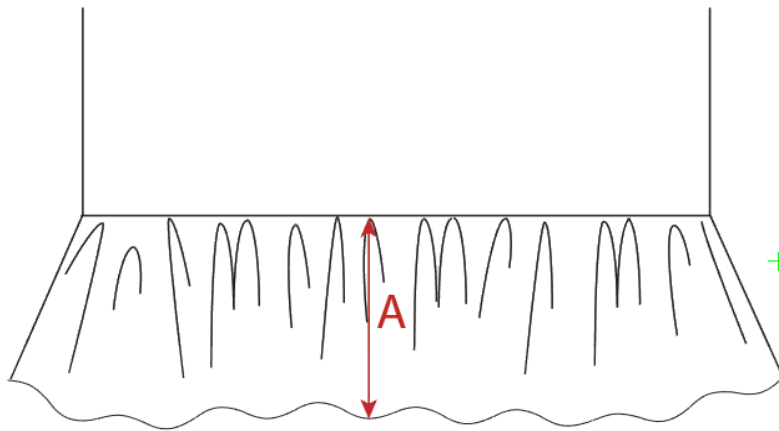
020A. Stretched Elastic

Stretch elastic to maximum resistance.
Measure from point 1 to point 2.

Stretch Ratio

Relaxed 1" to Stretched elastic A
Stretch Ratio 1:A.

Kohl's How to Measure Manual - Trims

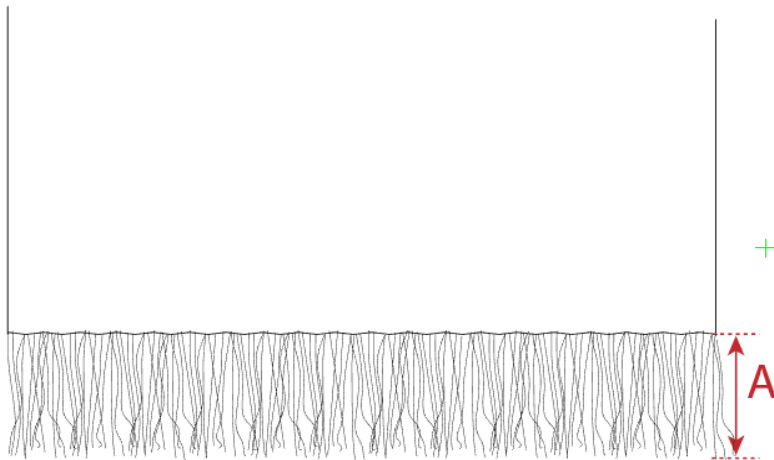


Trims Flange

025A: Flange
Measure straight from product edge
to end of flange.

** Exclude flange in product
measurements.

Kohl's How to Measure Manual - Trims

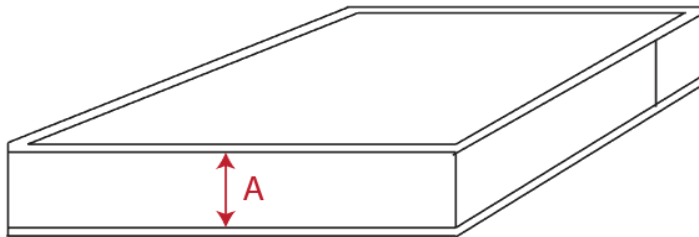
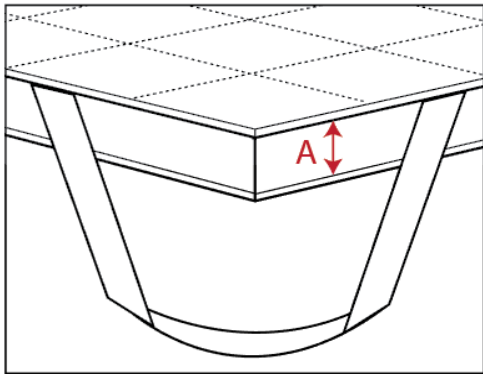
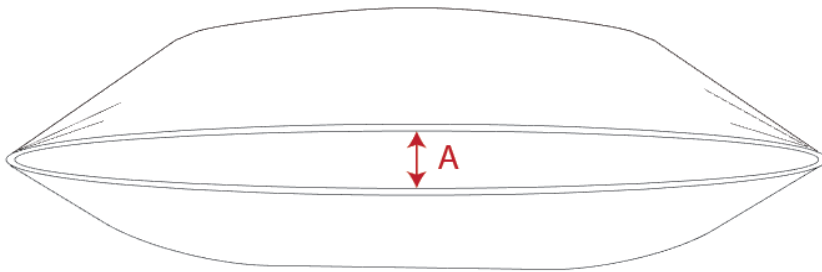


Trims Fringe

030A. Length
Measure straight from product edge
to end of fringe.

** Exclude fringe in product
measurements.

Kohl's How to Measure Manual - Trims

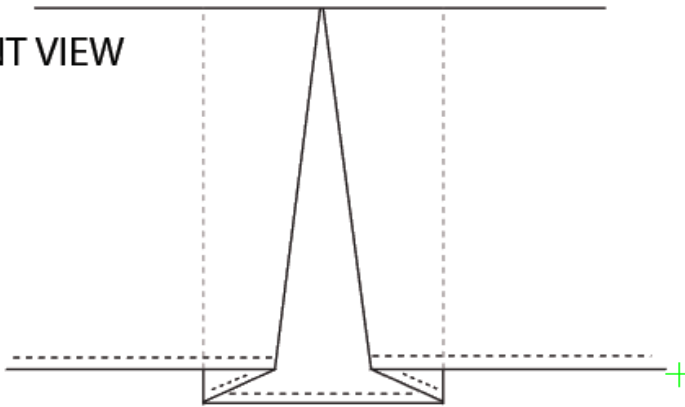


Trims Gusset

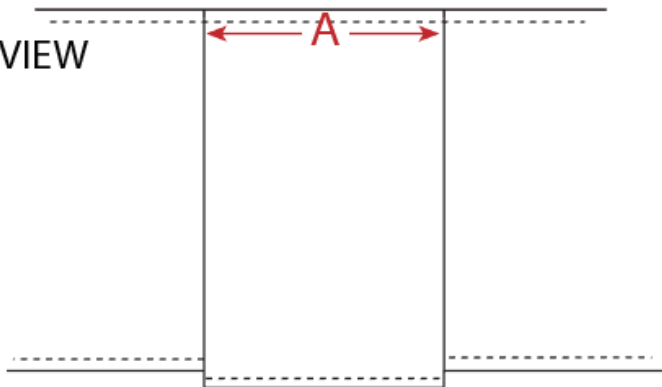
035A: Gusset
Measure straight from seam to seam.

Kohl's How to Measure Manual - Trims

FRONT VIEW



BACK VIEW



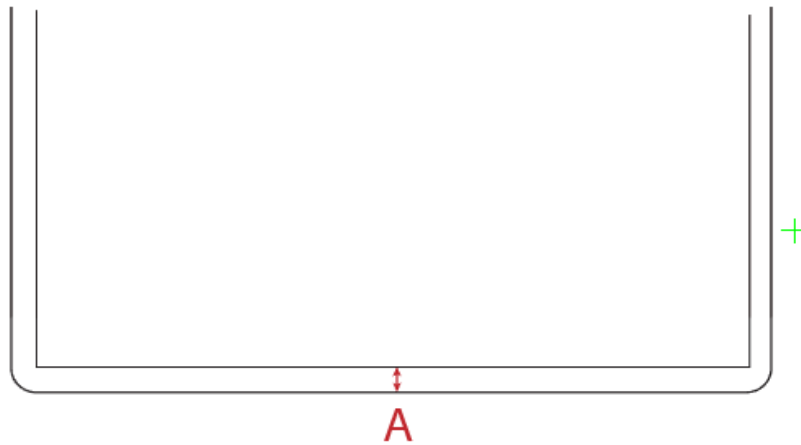
Trims

Inverted Pleat

040A: Width

Measure on back, straight from folded edge to folded edge at seam.

Kohl's How to Measure Manual - Trims



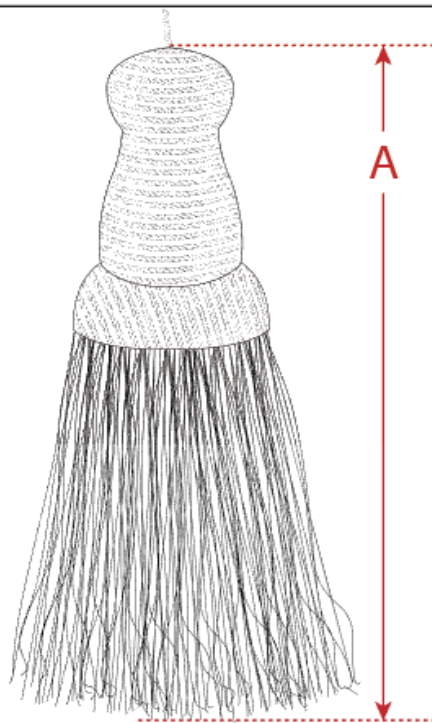
Trims Piping

045A: Width

Measure from seam to edge.

** Exclude piping in measurements.

Kohl's How to Measure Manual - Trims



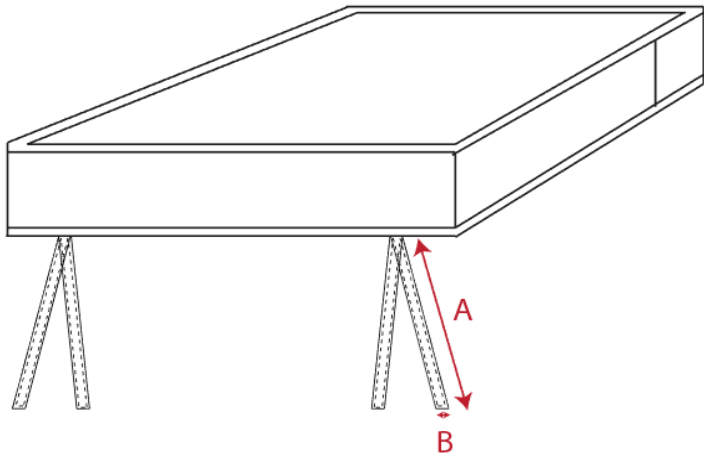
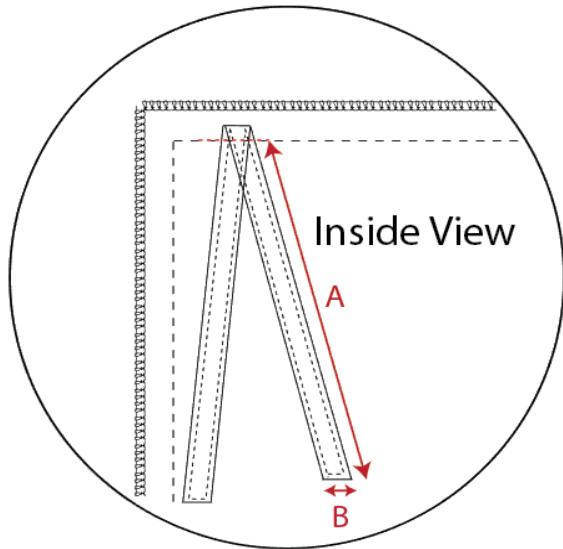
Trims Tassel

050A. Length
Measure straight from edge to edge.

** Exclude tassel in product measurements.

+

Kohl's How to Measure Manual - Trims

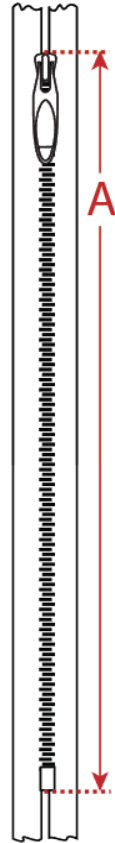


Trims Ties/Straps

055A: Tie/Strap Length
Measure straight from seam to end.

055B: Tie/Strap Width
Measure straight from edge to edge.

Kohl's How to Measure Manual - Trims



Trims Zipper

060A: Length

With zipper is closed, measure from the tip of the slider head to the bottom stop.