



HOW TO MEASURE GUIDE PRIVATE & EXCLUSIVE BRANDS APPAREL

All Private and Exclusive brands must follow measurement guidelines unless specified in the TP.



HOW TO MEASURE GUIDE

FOR PRIVATE & EXCLUSIVE BRAND APPAREL

Table of Contents

- [Measurement Basics.....3-9](#)
- [Tops.....11-66](#)
 - [Neck.....11-16](#)
 - [Collars.....17-21](#)
 - [Hoods.....22-24](#)
 - [Shoulders & Yokes.....25-29](#)
 - [Bras.....30-43](#)
 - [Across Front, Back, & Shoulder.....43-45](#)
 - [Chest.....46-47](#)
 - [Waist.....49-50](#)
 - [Hips/Sweeps.....50-51](#)
 - [Lengths.....52-57](#)
 - [Armholes & Sleeves.....57-64](#)
 - [Trims.....65-66](#)
- [Bottoms.....67-97](#)
 - [Waist.....67-75](#)
 - [Hips.....76-79](#)
 - [Leg Widths & Openings.....79-83](#)
 - [Rises.....84-86](#)
 - [Briefs.....85-88](#)
 - [Fly.....88-89](#)
 - [Gusset/Crotches.....90-92](#)
 - [Inseams/Outseams.....92-94](#)
 - [Bibs.....95-97](#)
 - [Accessories & Components.....97-115](#)
 - [Pockets.....116-125](#)



HOW TO MEASURE GUIDE FOR PRIVATE & EXCLUSIVE BRAND APPAREL

The Kohl's How To Measure Guide is used both internally and externally to correctly demonstrate how Kohl's private label & exclusive brand merchandise is measured. It is necessary to use the correct measuring tools when following the measuring guidelines for all products in order to remain consistent with our specification requests.

The How To Measure Guide contains Point of Measure (POM), along with its short description, a long description of how to measure and an illustration. The descriptions for each point may not always work for every situation. In these cases, the Technical Designer may revise or clarify the description by adding, removing or rewriting the description.

This guide should be used in collaboration with the measurement specification sheet, which outlines the correct POMs to be used for that particular garment.

- All measurements are given in the nearest 1/8 of an inch
- Measurements are taken on wearer's left side of garment



HOW TO MEASURE GUIDE FOR PRIVATE & EXCLUSIVE BRAND APPAREL

- Measurements are taken on front of garment, unless otherwise specified.
- Measurements are taken on the outside of garment, unless otherwise specified.
- Fasteners, such as zippers, snaps, buttons, etc. should be closed when measurements are taken, unless otherwise specified.
- Descriptions using the term “**HPS**” meaning **High Point Shoulder** reference the point at the shoulder and neck intersection where the natural fold of the garment falls. It may be a folded edge or a seam. Garments with collars or set-in neck trim, refer to the neck intersection point as the seam. Garments with bound neck trim, refer to the neck intersection point as the top of the trim (see figure 1). Descriptions using the term “**peak**” references to the point where the strap joins the body of the garment (see figure 2). This is only referenced on a camisole or tank type top.
- Circumference measurements
- **KNIT/SWEATER/WOVEN** garment measurements are recorded in **HALF CIRCUMFERENCE**, noted as EITHER “H” or “1/2 Measurement”

Example: POM A260, A260H SW (Sweater) CHEST 1” BELOW ARMHOLE RELAXED

- Please note wherever there is a seam/edge, you will be measuring from the seam with the exceptions of any bound edge finishes. If the garment is bound, you should be measuring from the edge. (Figure 1-3)

Figure 1

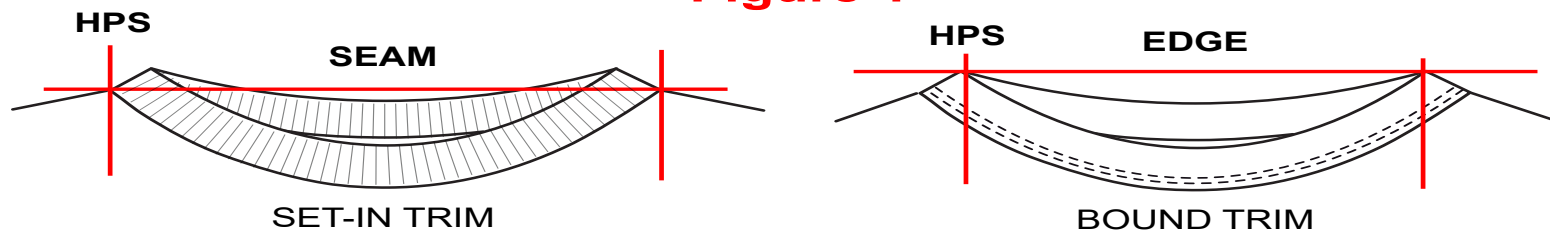


Figure 2

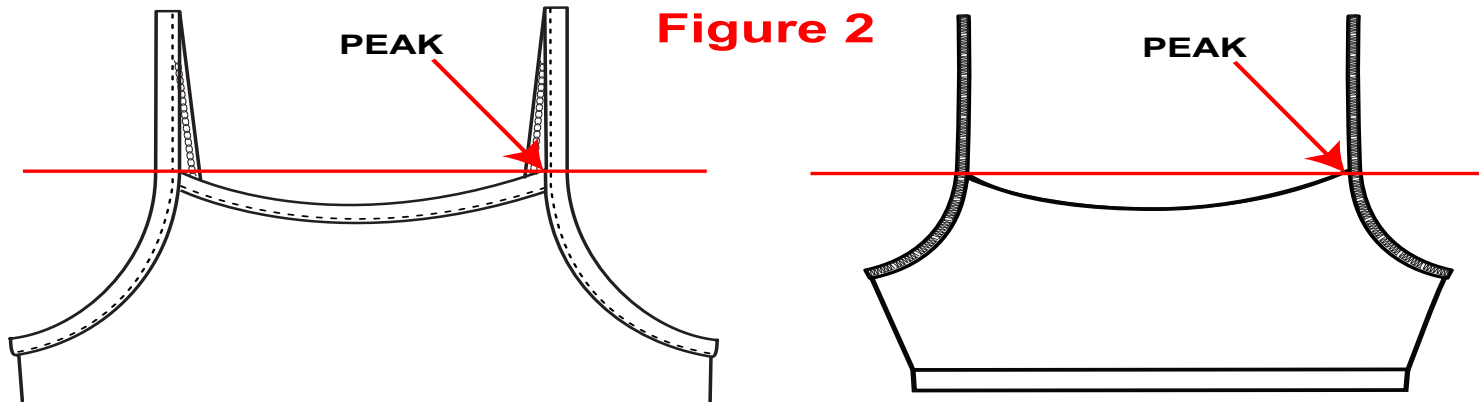
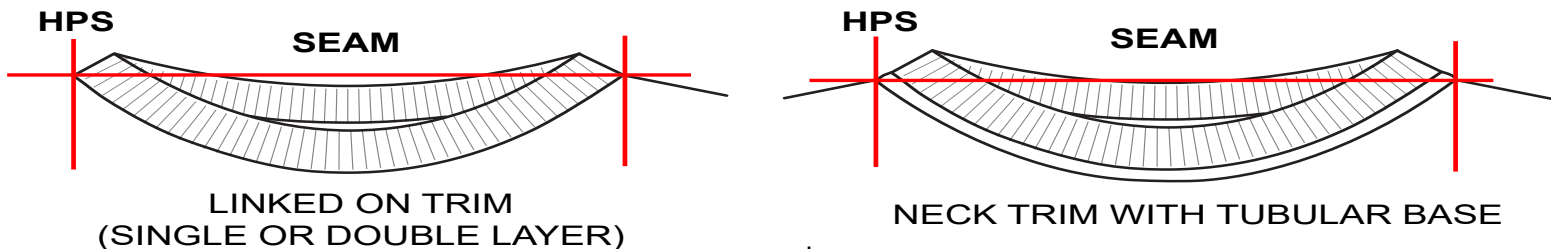


Figure 3: Sweaters





HOW TO MEASURE GUIDE FOR PRIVATE & EXCLUSIVE BRAND APPAREL

Use of Placement POMs

- If a POM requires a placement for measuring that DOES NOT GRADE, the Tech Designer should replace the # in the POM description with the actual number to locate where to measure.

If a POM requires a GRADED placement for measuring, then a second POM for placement should accompany the original POM.

Example:

- HOOD WIDTH AT #” FM HIGHEST PT - If placement does not grade the TD should replace # with actual number. If the distance is 3”, POM description will read HOOD WIDTH AT 3” FM HIGHEST PT. The Number 3 will replace the # sign.

- If placement grades the TD should use HOOD PLCMT FROM HIGHEST PT along with HOOD WIDTH AT #” FM HIGHEST PT. The #” remains in the POM unchanged.

How to Lay out Tops, Pants, & Sweaters: See K-Link Resources

The screenshot shows the K-Link portal interface. At the top left is the K-Link by Kohl's logo. At the top right are links for 'REPORTS' and 'RESOURCES', along with search and notification icons. A large purple and blue banner reads 'Private and Exclusive Brands' with a right-pointing arrow. Below this is a sidebar menu with items: 'MONTHLY UPDATES', 'LABELS AND PACKAGING', 'PERFORMANCE TESTING', 'COLOR SERVICES', 'GLOBAL TECHNICAL DESIGN', and 'Apparel Resource Tools'. A red arrow points from the 'Apparel Resource Tools' menu item to the main content area. The main content area is titled 'Apparel Resource Tools' and contains a sub-section 'How to Layout' with three links: 'How to Layout Tops (Last Updated: 06/01/2018)', 'How to Layout Pants (Last Updated: 06/01/2018)', and 'How to Layout Sweaters (Last Updated: 06/01/2018)'. Another red arrow points from the 'How to Layout' section back to the 'Private and Exclusive Brands' banner.

How To Measure Abbreviations

• AH	Armhole	• FF SHAPING	Full Fashion Shaping
• X	Across	• FM	From
• @	At	• FND	Front Neck Drop
• BK	Back	• FNR	Full Needle Rib
• BLW	Below	• FRT	Front
• BND	Back Neck Drop	• GG/gg	Gauge Knit/Sweaters
• BTM/BTTM	Bottom	• GG	Gore Grade (Intimates)
• BTTN	Button	• HF SHAPING	Hidden Fashion Shaping
• BTW	Between	• HPS	High Point Shoulder
• BH	Buttonhole	• H/S	Head Stretch
• CB	Center Back	• HT	Height
• CD	Construction Details	• INCL	Including
• CF	Center Front	• INT	Intimates
• CIRC	Circumference	• LEN	Length
• DBL	Double	• L/SLV	Long Sleeve
• DEV ONLY	Development Only	• MEAS	Measurement
• EMB	Embroidery		
• EXCL	Excluding		



HOW TO MEASURE GUIDE FOR PRIVATE & EXCLUSIVE BRAND APPAREL

How To Measure Abbreviations

- NG No Grade
- NK Neck
- OS Outseam
- PLCMT Placement
- PLKT Placket
- PKT Pocket
- PT Point
- RLXD Relaxed
- SA Seam Allowance
- SHLDR Shoulder
- SLV Sleeve
- SLVLSS Sleeveless
- S/SLV Short Sleeve
- SD Side
- SS Side Seam
- STR Straight
- 3/4 SLV Three-Quarter Sleeve
- UA Upperarm

- WB Waistband
- WST Waist

WORDS THAT SHOULD NOT BE ABBREVIATED

- Seam
- Stitch

HOW TO MEASURE GUIDE FOR PRIVATE & EXCLUSIVE BRAND APPAREL

**POM A003
WAIST POSITION ON FORM AT CENTER FRONT**



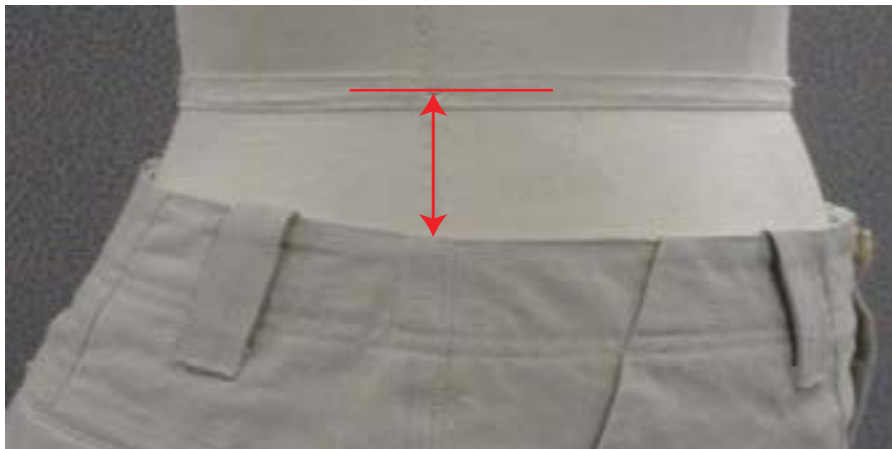
This measurement is for fit reference on the dressform.
Measure from Center of waist tape on dressform to top edge of garment waist at Center Front.

**POM A004
WAIST POSITION ON FORM AT CENTER BACK**



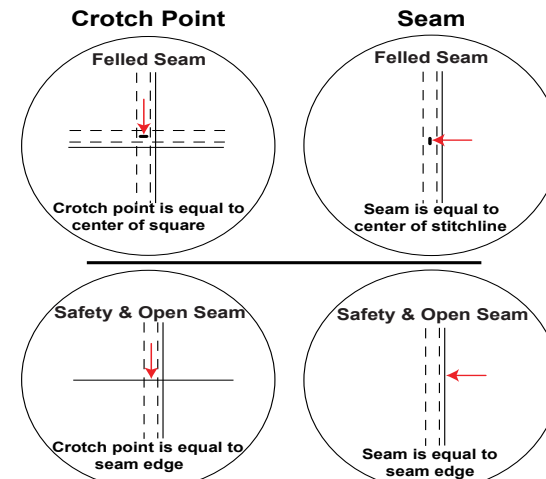
This measurement is for fit reference on the dressform.
Measure from Center of waist tape on dressform to top edge of garment waist at Center Back.

**POM A005
WAIST POSITION ON FORM AT SIDE SEAM**



This measurement is for fit reference on the dressform.
Measure from Center of waist tape on dressform to top edge of garment waist at Side Seam.

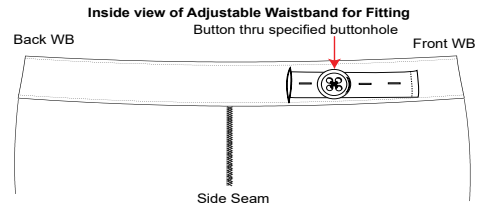
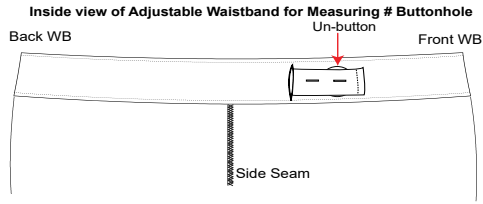
**POM A009
HOW TO MEASURE FLAT FELLED SEAMS**



For flat felled seams, adjust measuring techniques as follows:
Crotch Point: Measure to center of stitchline square
Seam: Measure to center of stitchline

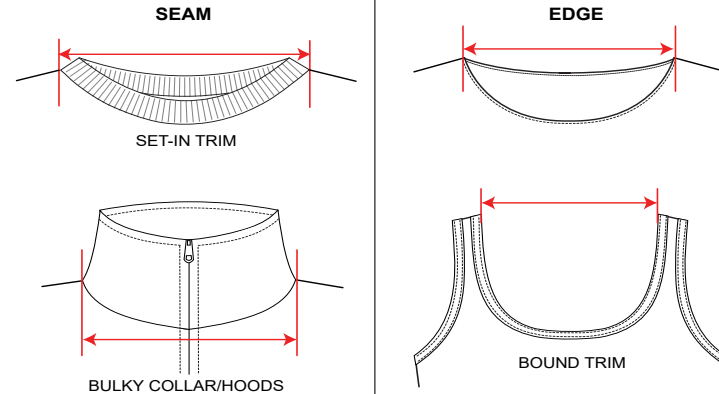
HOW TO MEASURE GUIDE FOR PRIVATE & EXCLUSIVE BRAND APPAREL

POM A011 ADJUSTABLE WAIST ELASTIC



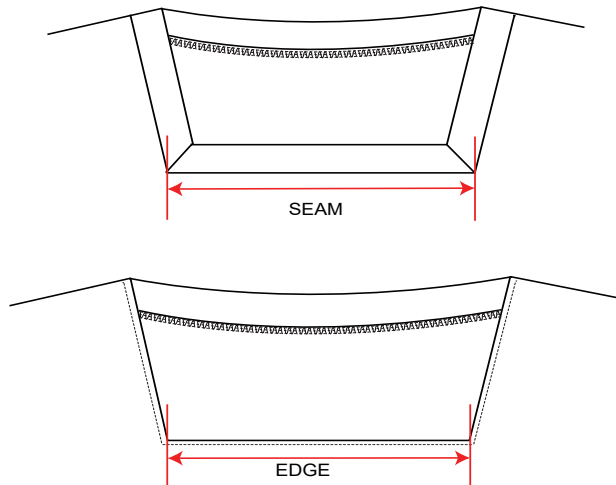
Unbutton adjustable waist elastic when measuring Waist POM.
Button adjustable elastic on buttonhole as specified from end when fitting on dressform.

POM A100, POM A100 SW (Sweater), POM A100 TA (Tank) NECK WIDTH AT SEAM OR EDGE



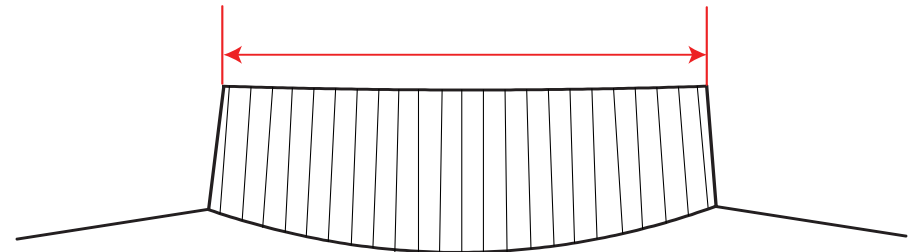
Place measuring tape under the garment. HPS must lay flat.
SET-IN COLLAR/NECK TRIM: Measure straight from seam to seam at High Point Shoulder.
BOUND/FACED NECK OPENING: Measure straight from edge to edge at High Point Shoulder.

POM A102 SQUARE NK WIDTH AT SEAM OR EDGE



Lay garment with front facing you. Measure straight across squared neckline:
SET-IN NECK TRIM: Measures straight across at trim seam from seam to seam
BOUND/FACED NECK OPENING: Measure straight across neck opening edge from edge to edge

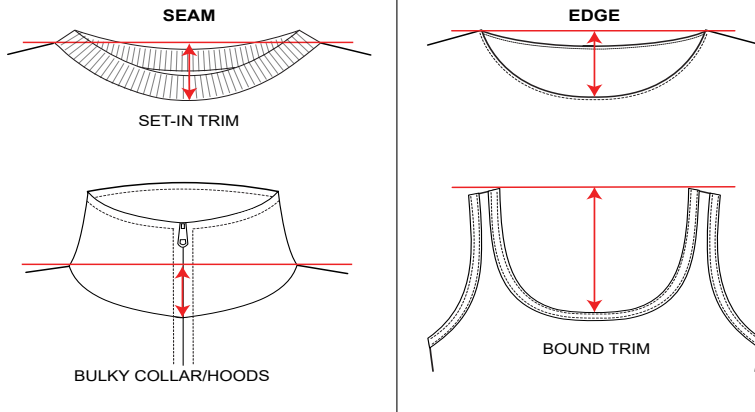
POM A103 NECK WIDTH AT COLLAR EDGE



Align front and back collar at top edge.
Measure straight from edge to edge of neck trim.

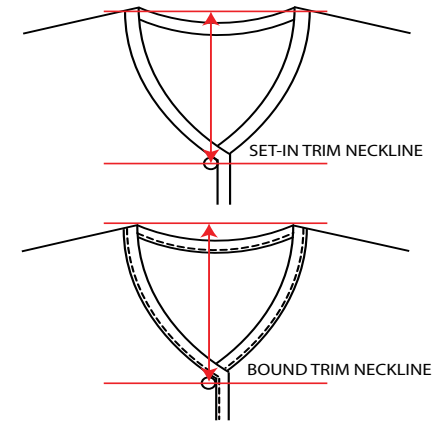
HOW TO MEASURE GUIDE FOR PRIVATE & EXCLUSIVE BRAND APPAREL

POM A110, POM A110SW FRONT NECK DROP AT SEAM OR EDGE



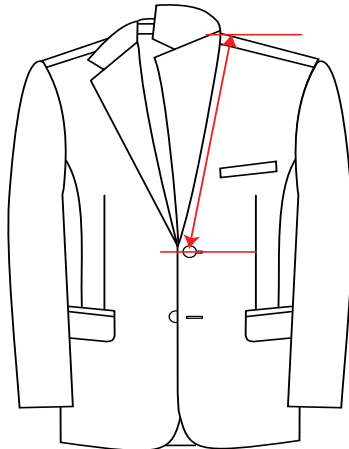
Lay garment with front facing you.
Measure straight from imaginary line at HPS straight to CF neck:
SET-IN COLLAR/NECK TRIM: Measure straight from High Point Shoulder line to collar or trim seam
BOUND/FACED NECK OPENING: Measure straight from High Point Shoulder line to edge or neck opening.

POM A112, A112SW FRONT NECK DROP TO CENTER OF 1ST BUTTON



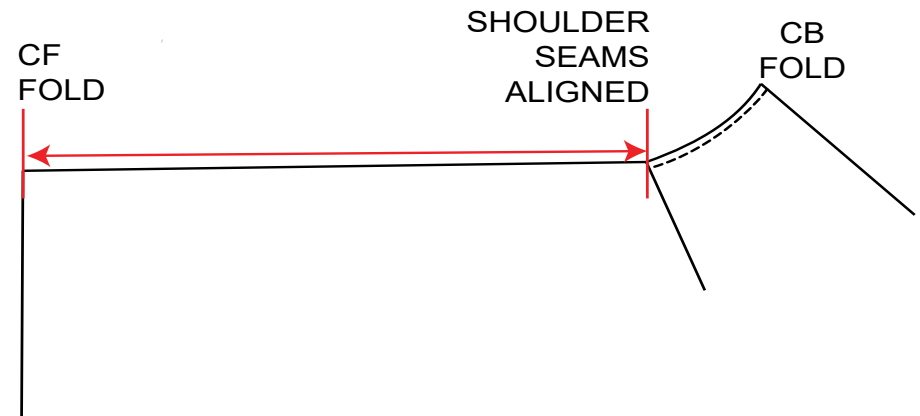
Lay Garment with front facing you. Measure straight from Imaginary Line at High Point Shoulder to Center of 1st Button.

POM A112BZ (Blazer) FRONT NECK DROP TO CENTER OF 1ST BUTTON



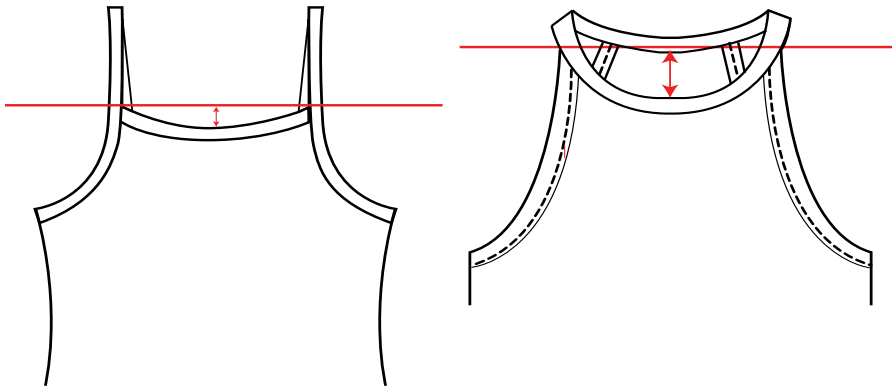
Lay Garment with front facing you. Measure from High Point of Shoulder to Center of 1st Button.

POM A114 FRONT NECK DROP - COWL NECK FOLDED



Fold neck opening in half, aligning shoulder seams.
Measure straight at neck edge from Center Front foldline to shoulder seam.

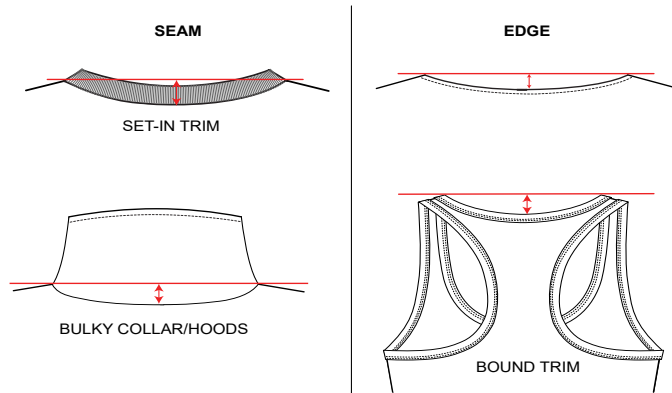
POM A115
FRONT NECK DROP - CAMI



Measure straight at CF from imaginary line at peak to top neck edge

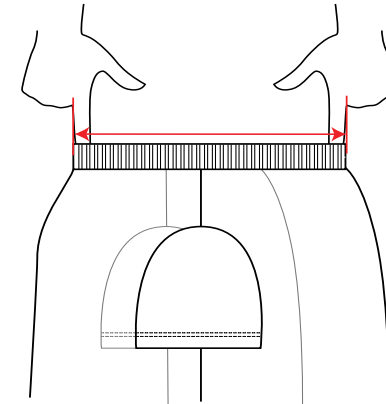
HOW TO MEASURE GUIDE FOR PRIVATE & EXCLUSIVE BRAND APPAREL

POM A120 BACK NECK DROP AT SEAM OR EDGE



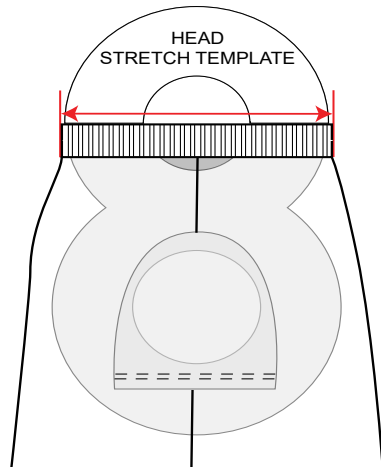
Lay garment with back facing you.
Measure straight from imaginary line at HPS straight to CB neck:
SET-IN COLLAR/NECK TRIM: Measure straight from High Point Shoulder line to collar or trim seam
BOUND/FACED NECK OPENING: Measure straight from High Point Shoulder line to edge or neck opening

POM A122 MINIMUM HEAD STRETCH



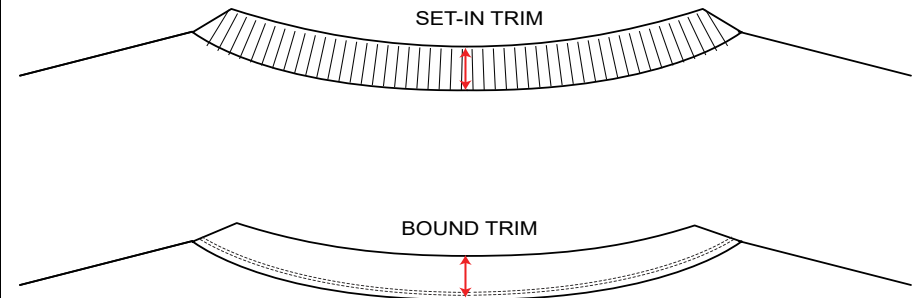
Align shoulder seam. Using your index fingers, extend neckline to maximum width without breaking stitches and measure from edge to outside edge. Open placket or keyhole opening if present.

POM A123 MINIMUM HEAD STRETCH WITH TEMPLATE



Using Kohl's specified Minimum Head Stretch Template, insert end of template meeting required spec measurement inside garment. Open placket or keyhole opening if present. Pass entire end of template through neck opening. Check for broken stitches.

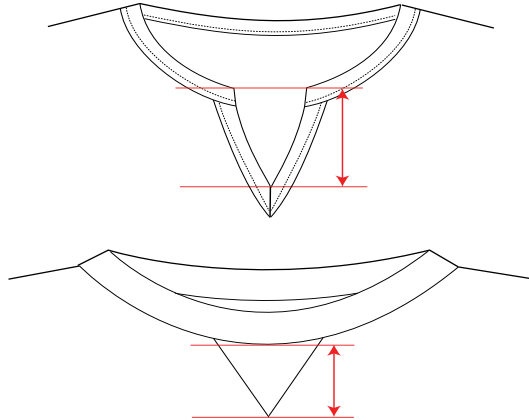
POM A124 NECK TRIM HEIGHT



Measure straight from edge to seam

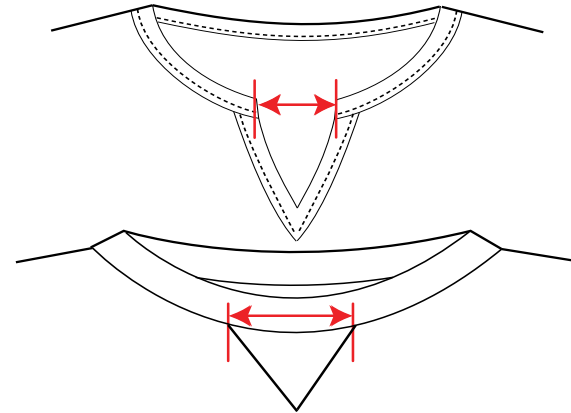
HOW TO MEASURE GUIDE FOR PRIVATE & EXCLUSIVE BRAND APPAREL

POM A125 FRONT NOTCH HEIGHT EXCLUDING OR INCLUDING TRIM



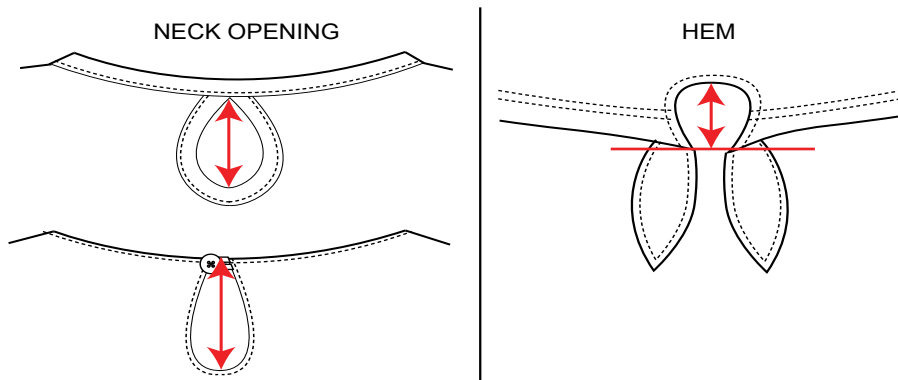
Measure straight at center front from neck seam or imaginary line at edge of neckline to edge of notch. For multi needle stitching - do not include stitch.

POM A125A FRONT NOTCH WIDTH EXCLUDING OR INCLUDING TRIM



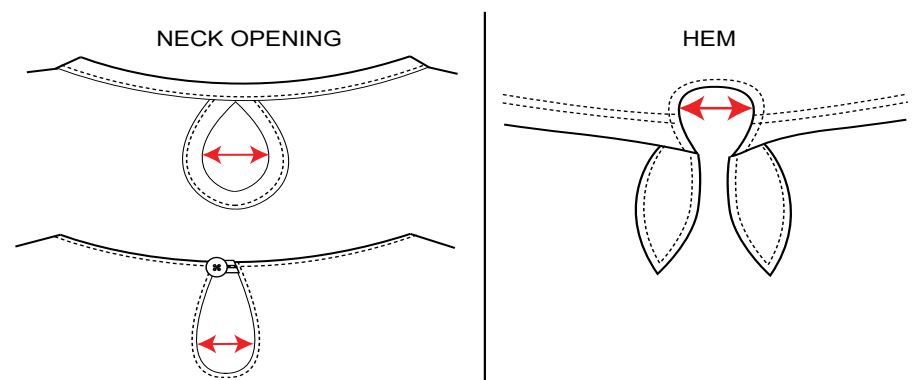
Measure straight from edge to edge or seam to seam at widest point

POM A126 KEYHOLE HEIGHT AT INSIDE EDGE



Measure straight from edge to edge at deepest point of keyhole opening

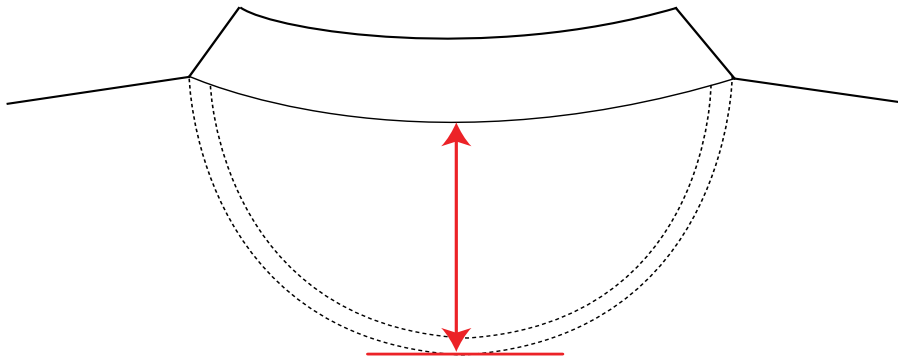
POM A126A KEYHOLE WIDTH AT INSIDE EDGE



Measure straight from edge to edge at widest point of keyhole opening

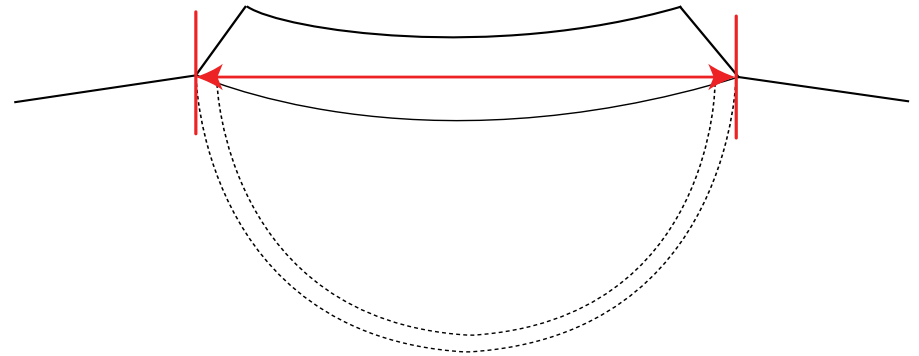
HOW TO MEASURE GUIDE FOR PRIVATE & EXCLUSIVE BRAND APPAREL

**POM A127
HALF MOON HEIGHT**



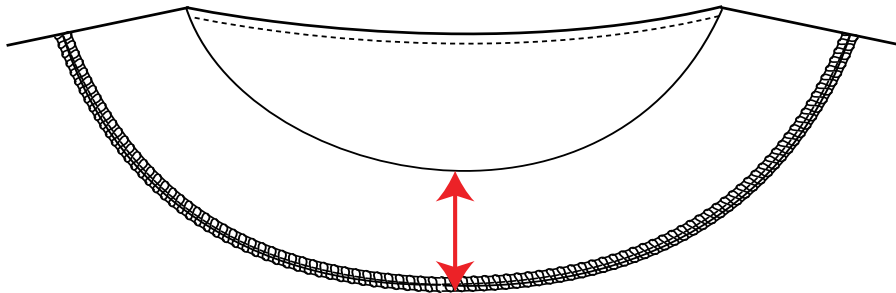
Measure straight at center back from neckline seam to bottom stitchline

**POM A127A
HALF MOON WIDTH**



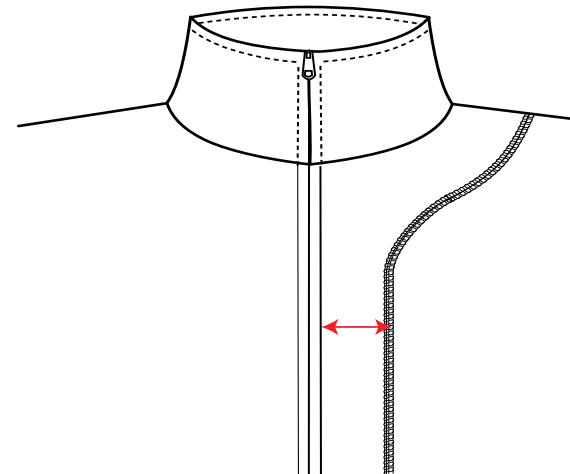
Measure straight from stitchline to stitchline at widest point

**POM A128
NECK FACING HEIGHT**



Measure from the neckline seam to the edge

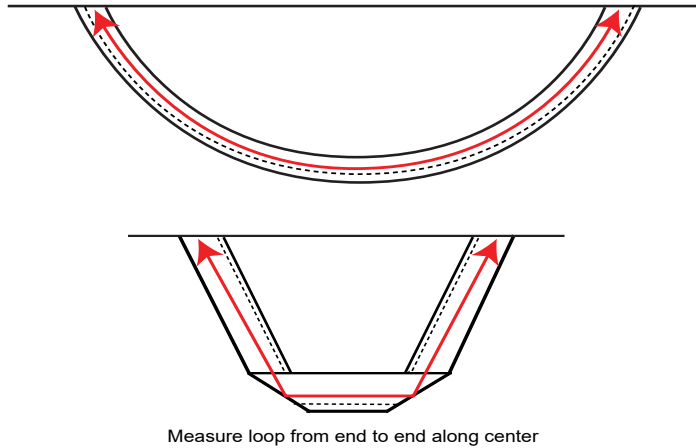
**POM A128A
CENTER FRONT FACING WIDTH**



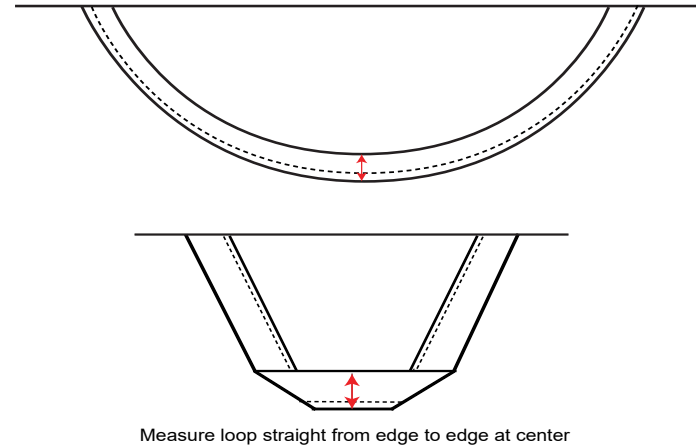
Measure straight from seam or fold at center front to edge of facing

HOW TO MEASURE GUIDE FOR PRIVATE & EXCLUSIVE BRAND APPAREL

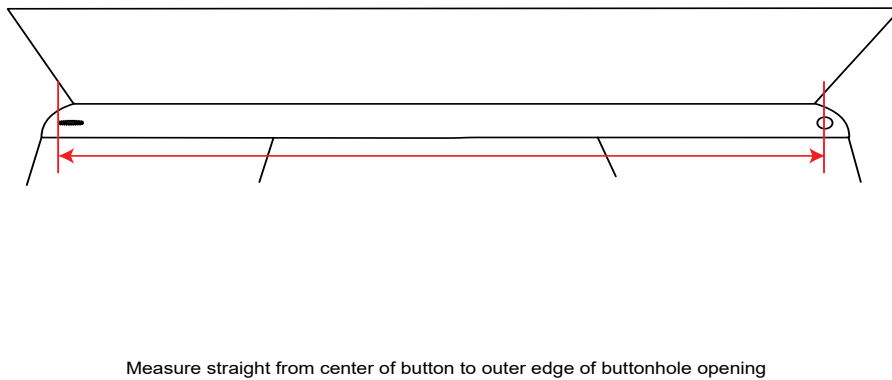
**POM A129
LOCKER LOOP LENGTH**



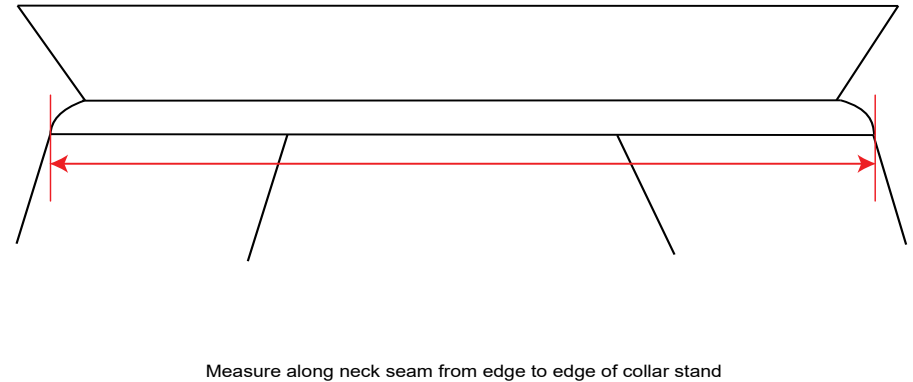
**POM A129A
LOCKER LOOP WIDTH**



**POM A130
COLLAR STAND LENGTH FROM BUTTON TO BUTTONHOLE**

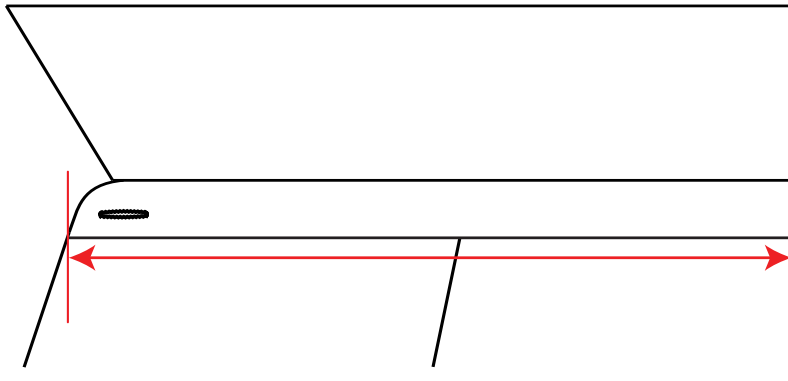


**POM A131
COLLAR STAND LENGTH AT NECK SEAM**



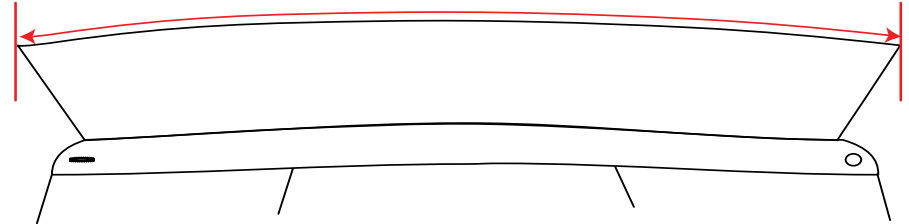
HOW TO MEASURE GUIDE FOR PRIVATE & EXCLUSIVE BRAND APPAREL

POM A131H
COLLAR STAND LENGTH AT NECK SEAM - 1/2 MEASUREMENT



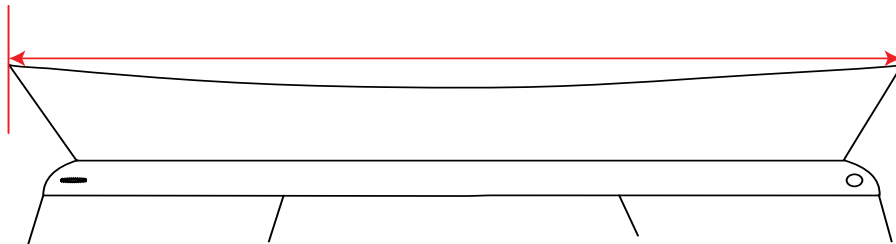
Fold collar stand in half
Align left & right edges of collar
Measure along neck seam from edge of collar stand to fold

POM A132
COLLAR LENGTH AT TOP EDGE



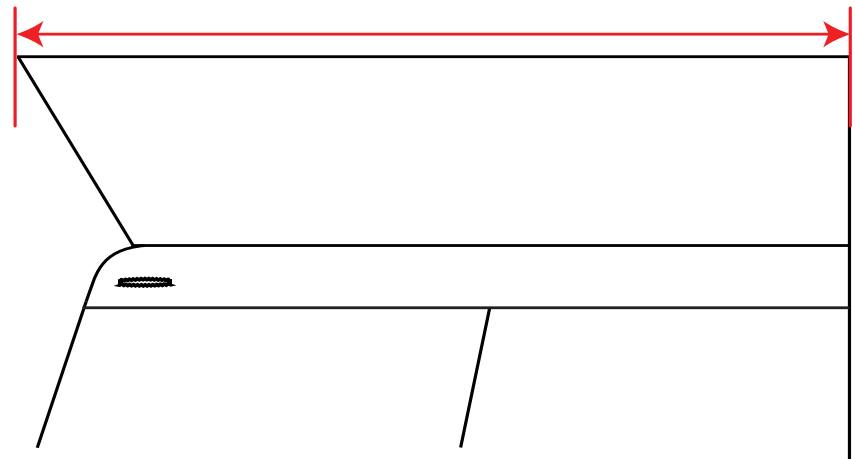
Measure along top edge of collar from point to point

POM A132A
COLLAR LENGTH AT TOP EDGE - STRAIGHT



Measure straight at top edge of collar from point to point - straight across

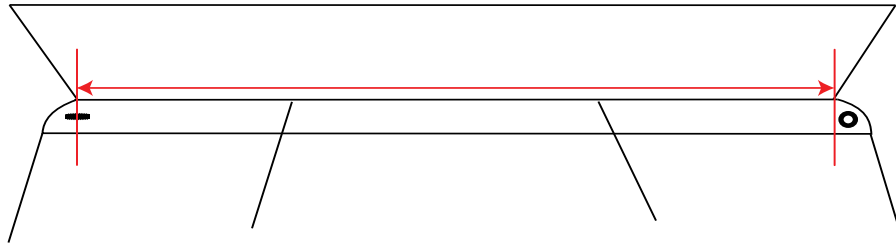
POM A132H
COLLAR LENGTH AT TOP EDGE - 1/2 MEASUREMENT



Fold collar in half
Align left & right edges of collar
Measure along top of collar from edge of collar to fold

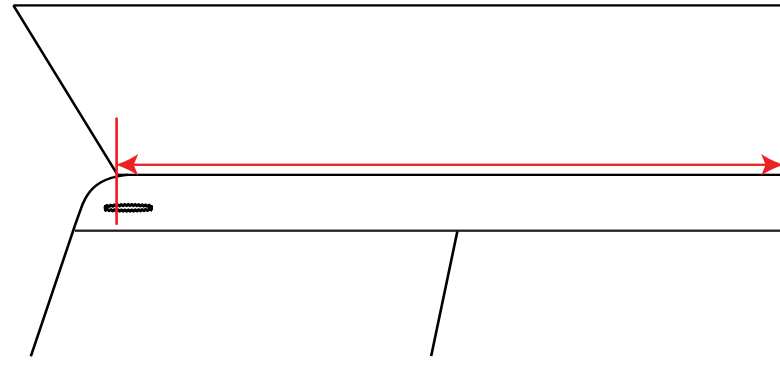
HOW TO MEASURE GUIDE FOR PRIVATE & EXCLUSIVE BRAND APPAREL

**POM A133
COLLAR LENGTH AT COLLAR SEAM**



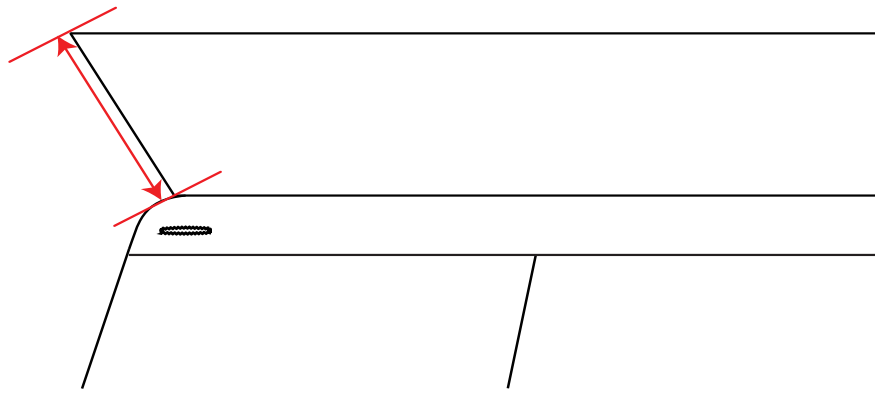
Measure along collar seam from edge to edge

**POM A133H
COLLAR LENGTH AT COLLAR SEAM - 1/2 MEASUREMENT**



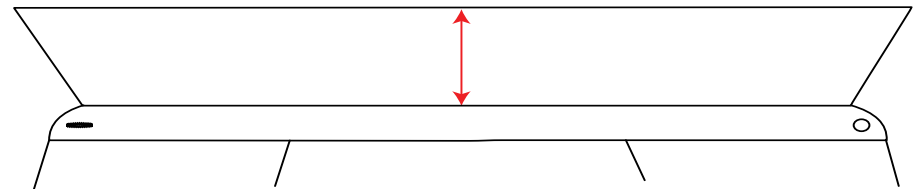
Fold collar stand in half
Align left & right edges of collar
Measure along collar seam from edge to fold

**POM A135
COLLAR POINT LENGTH**



Measure straight from point of collar to neck seam or collar stand seam unless otherwise specified

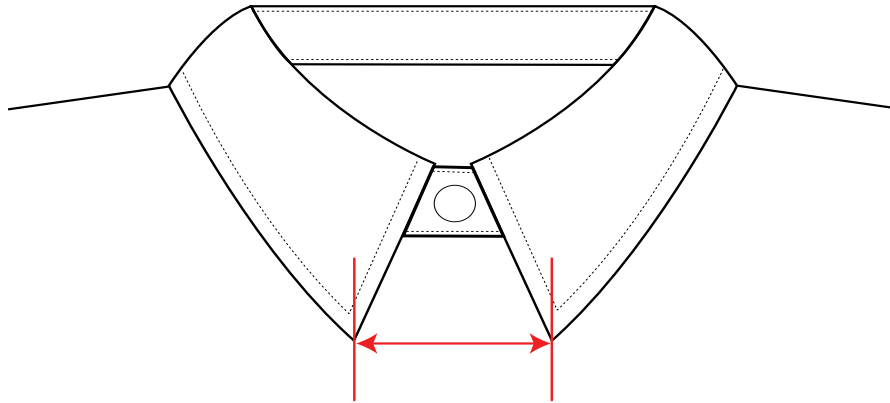
**POM A135A
COLLAR HEIGHT AT CB**



Measure straight from top edge of collar to collar stand/neckline seam at Center Back

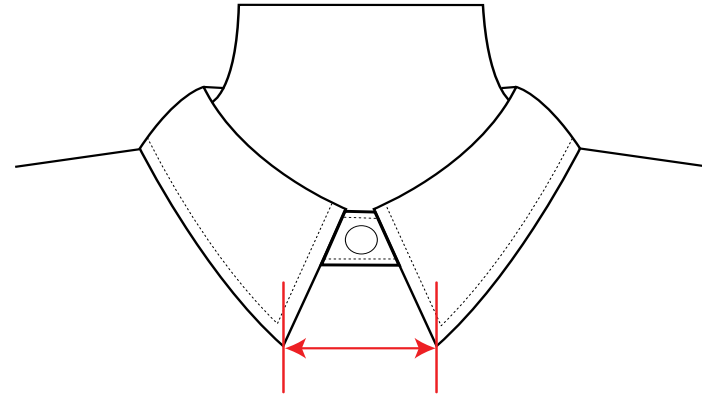
HOW TO MEASURE GUIDE FOR PRIVATE & EXCLUSIVE BRAND APPAREL

**POM A136
COLLAR POINT SPREAD - FLAT**



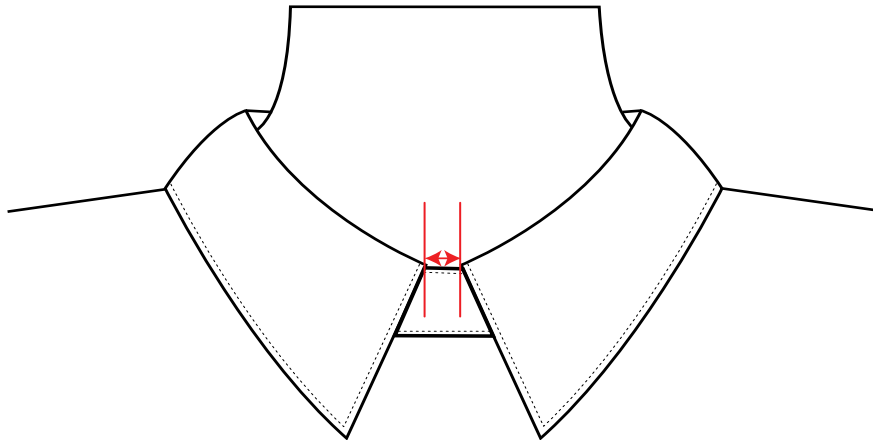
Button neckline and fold collar down
Measure relaxed, from point to point of collar

**POM A136A
COLLAR POINT SPREAD - ON FORM**



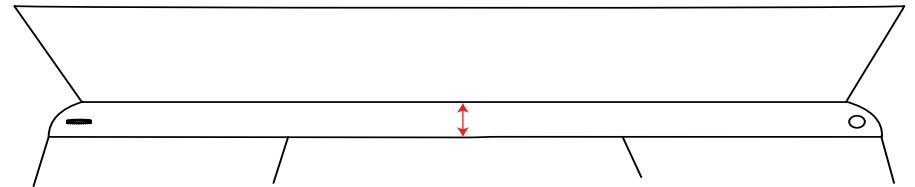
Take measurement on dressform
Button neckline and fold collar down
Measure the distance from point to point of collar

**POM A136B
TIE GAP ON FORM**



With garment on form, Measure at Center Front between collar edges at collar/stand seam, with neckline buttoned and collar folded down

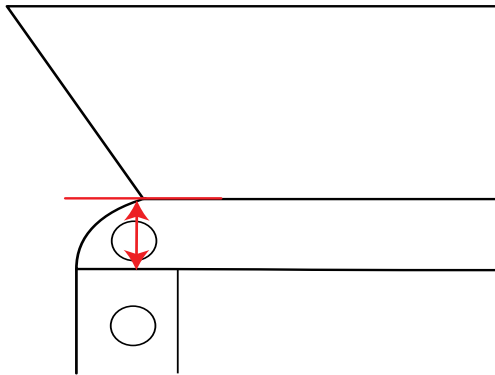
**POM A137
COLLAR STAND HEIGHT AT CB**



Measure straight from collar stand seam to neckline seam at Center Back

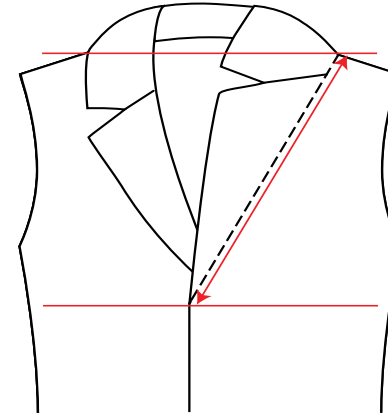
HOW TO MEASURE GUIDE FOR PRIVATE & EXCLUSIVE BRAND APPAREL

POM A137A COLLAR STAND HEIGHT AT CENTER FRONT



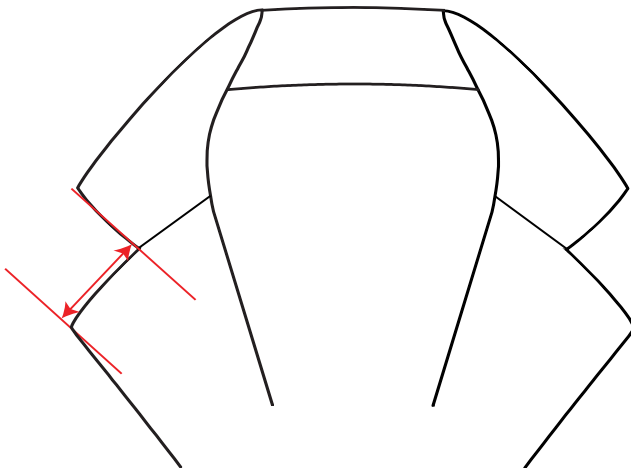
Measure straight from collar stand edge to neckline seam at Center Front

POM A138 FRONT NECKLINE LENGTH AT SEAM



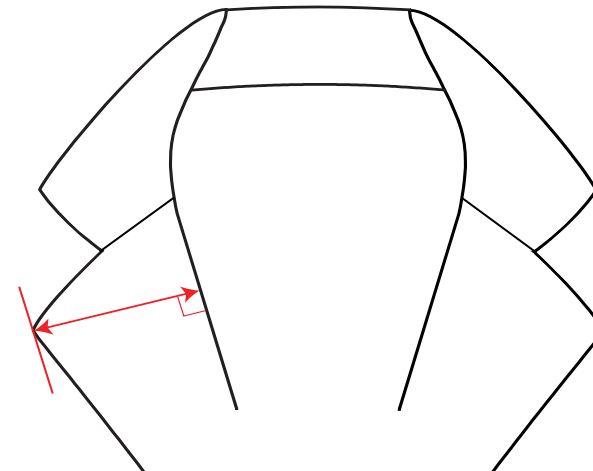
Fold collar up, measure along collar seam from High Point Shoulder to edge

POM A138A LAPEL POINT LENGTH



Measure straight from edge at collar and lapel join to lapel point

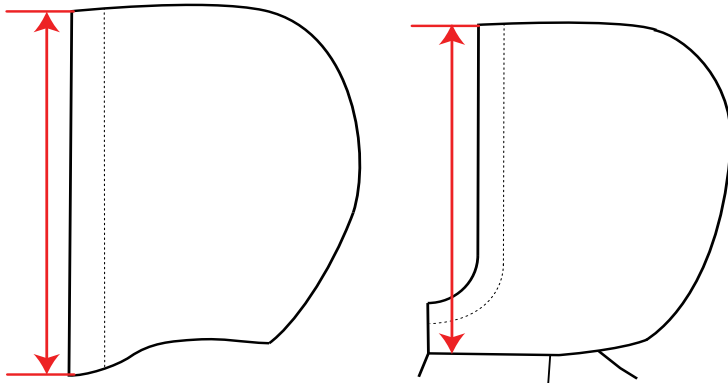
POM A138B LAPEL WIDTH



Lay garment flat with lapel folded
Measure at a right angle from fold to lapel point

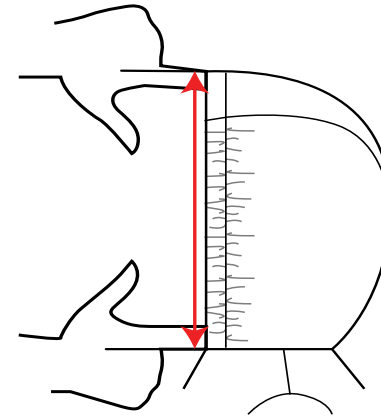
HOW TO MEASURE GUIDE FOR PRIVATE & EXCLUSIVE BRAND APPAREL

POM A140 HOOD OPENING - RELAXED



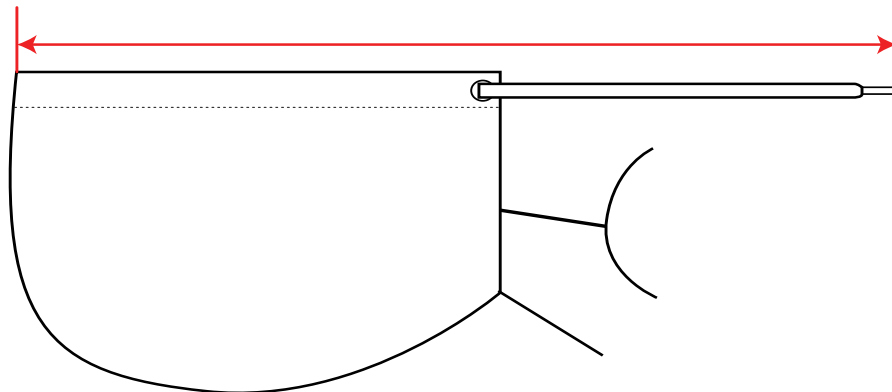
Align neck seam and front edges of the hood
Measure opening straight from neck seam to top of hood fold

POM A140A HOOD OPENING - EXTENDED



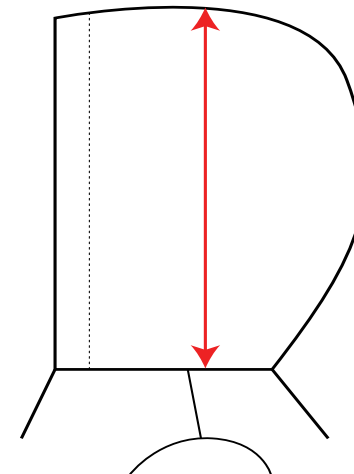
Align neck joining seam and front edges of the hood
Using your index fingers, extend hood opening to maximum width without breaking stitches and measure from outside edge to outside edge

POM A140B HOOD DRAWCORD LENGTH - FULL CIRCUMFERENCE



Measure along drawcord from finished end to fold of hood at crown, with ends knotted, if applicable
Double measurement

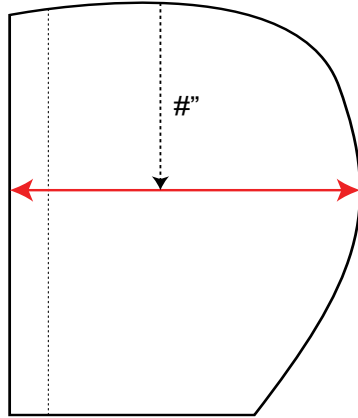
POM A141 HOOD HEIGHT AT HIGH POINT SHOULDER



Align neck joining seam and front edges of the hood
Measure straight from neck seam at High Point Shoulder intersect to top edge of hood

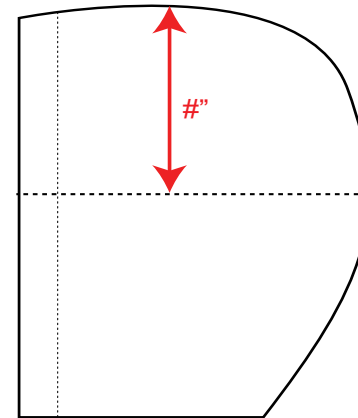
HOW TO MEASURE GUIDE FOR PRIVATE & EXCLUSIVE BRAND APPAREL

POM A142H
HOOD WIDTH #” FROM HIGHEST POINT



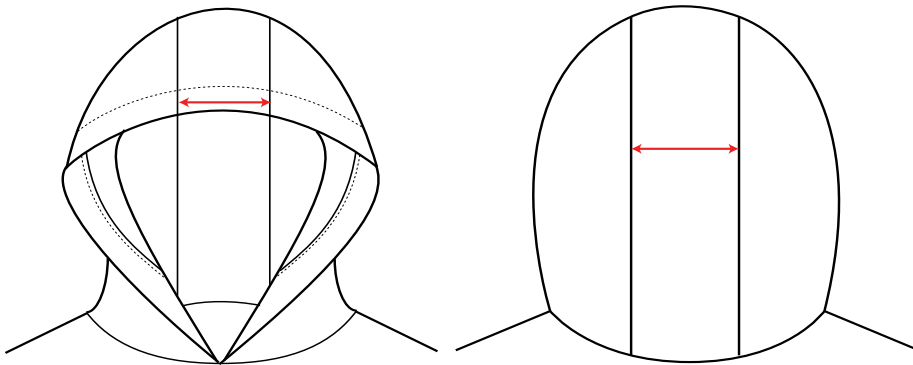
Align neck joining seam and front edges of the hood
Measure straight from edge to edge at specified number of inches from highest point

POM A142X
HOOD WIDTH PLACEMENT FROM HIGHEST POINT



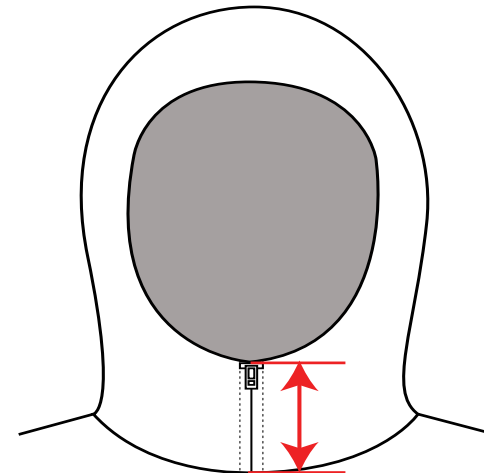
Measure straight down from the highest point to determine placement of hood width

POM A143
HOOD PANEL WIDTH



Measure straight from seam to seam
For hoods with elastic, fully extend and measure from seam to seam at front edge

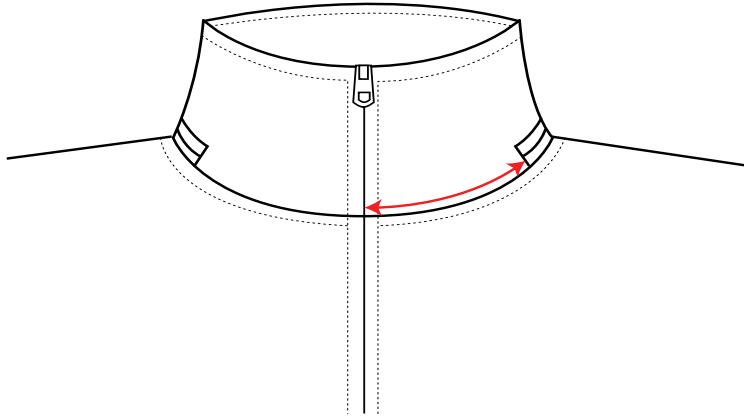
POM A144
HOOD THROAT GUARD HEIGHT AT CENTER FRONT



Measure straight from edge of throat guard to neckline seam

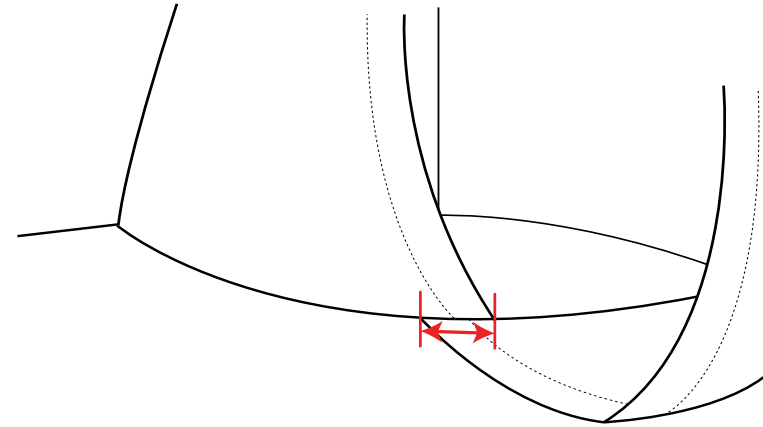
HOW TO MEASURE GUIDE FOR PRIVATE & EXCLUSIVE BRAND APPAREL

POM A145
PACKABLE HOOD OPENING FROM CENTER FRONT



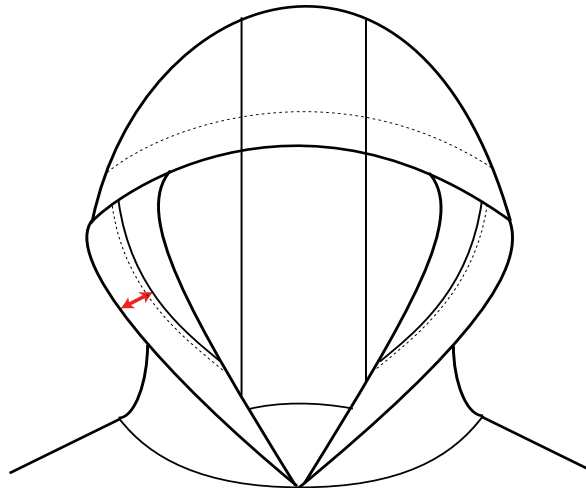
Measure along neck seam from Center Front to packable hood opening edge

POM A146
HOOD OVERLAP AT CENTER FRONT NECK



Measure along neck seam from edge to edge of hood opening

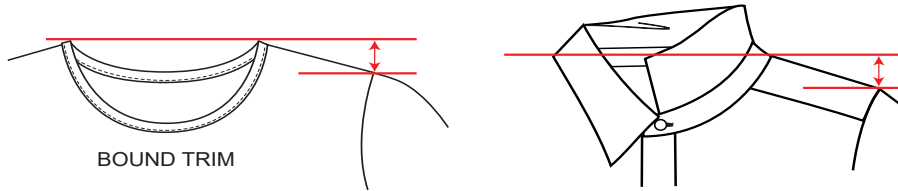
POM A148
HOOD FACING/HEM WIDTH



Measure straight from seam or fold to edge of facing

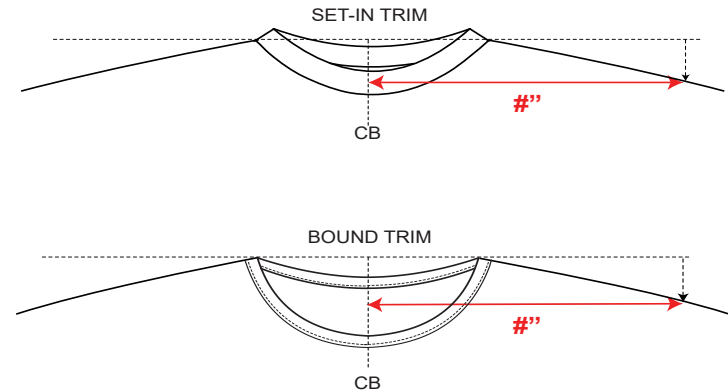
HOW TO MEASURE GUIDE FOR PRIVATE & EXCLUSIVE BRAND APPAREL

POM A150 SHOULDER SLOPE - DEVELOPMENT ONLY



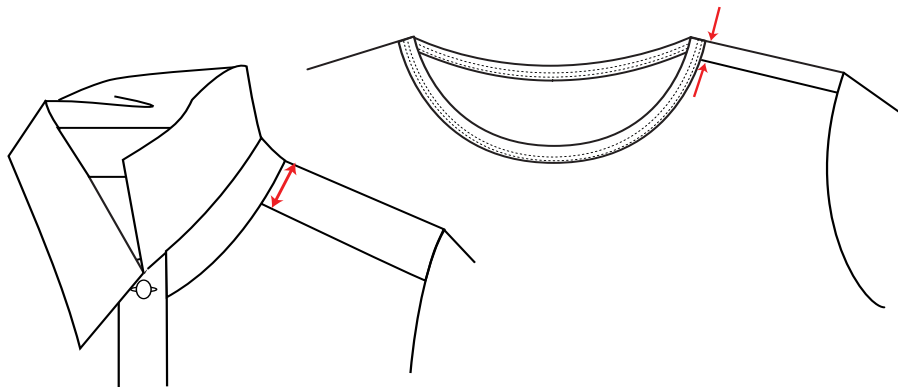
SET IN SLEEVES: Measure distance between the imaginary line at HPS to armhole seam at shoulder point or sleeve edge
GARMENTS WITHOUT SLEEVE SEAM: Take slope measurement at specified #' distance from CB along Imaginary line at HPS

POM A150A SHOULDER SLOPE PLACEMENT FROM CENTER BACK - DEVELOPMENT ONLY



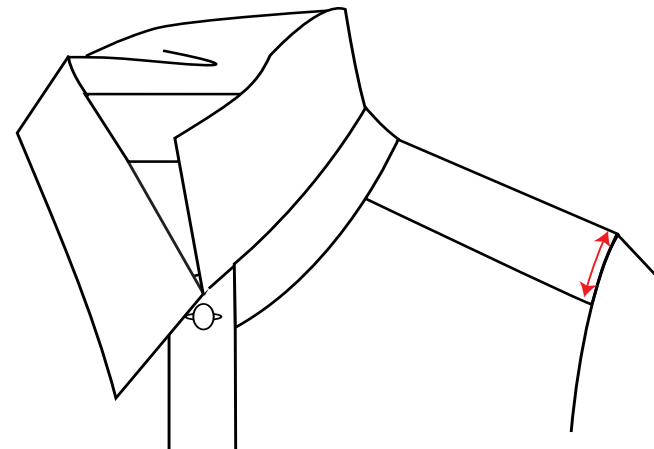
Take Slope Measurement at Specified Distance from Center Back along Imaginary Line at High Point Shoulder.
 Measure Straight down from Imaginary Line to Sleeve Edge.
 If measurement is greater than the width of the ruler, use tape measure to determine the shoulder slope.

POM A151A FORWARD SHOULDER SEAM AT HIGH POINT SHOULDER



Measure along neck seam from High Point Shoulder to forward shoulder seam

POM A151B FORWARD SHOULDER SEAM AT ARMHOLE SEAM

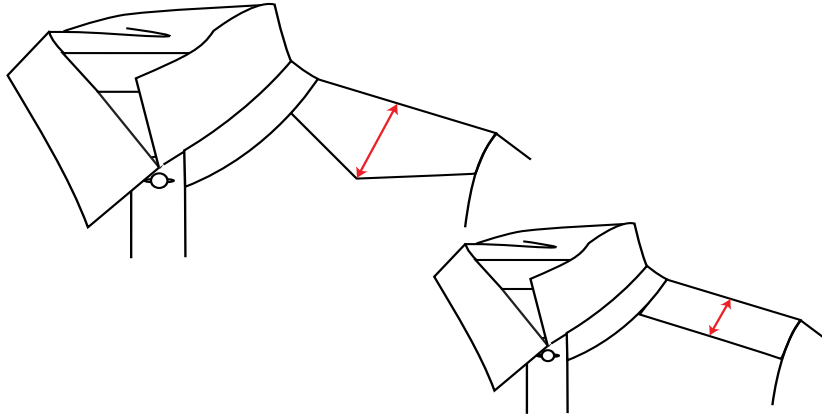


Measure along armhole curve seam from natural fold of shoulder to forward shoulder seam

HOW TO MEASURE GUIDE

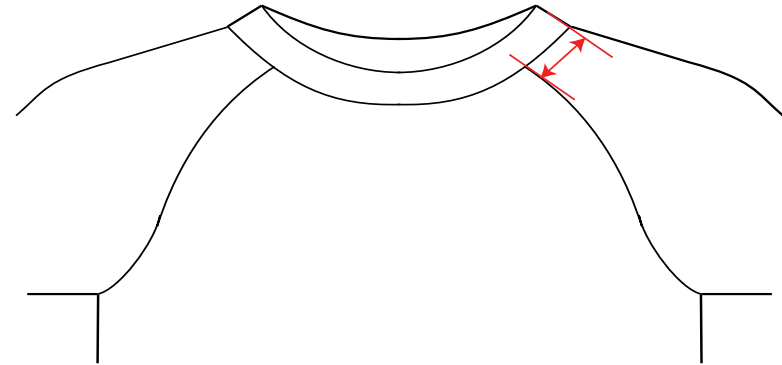
FOR PRIVATE & EXCLUSIVE BRAND APPAREL

POM A151C
FORWARD SHOULDER SEAM AT DEEPEST POINT/CENTER



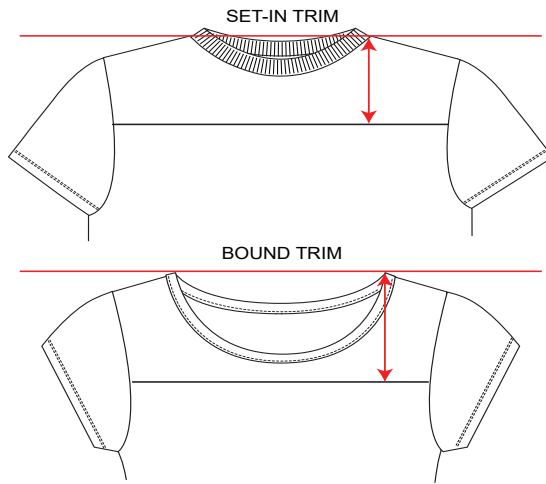
Measure at deepest point or Center of forward shoulder seam
 Straight from natural fold of shoulder to forward shoulder seam

POM A151D
RAGLAN SEAM FROM HIGH POINT SHOULDER - DEVELOPMENT ONLY



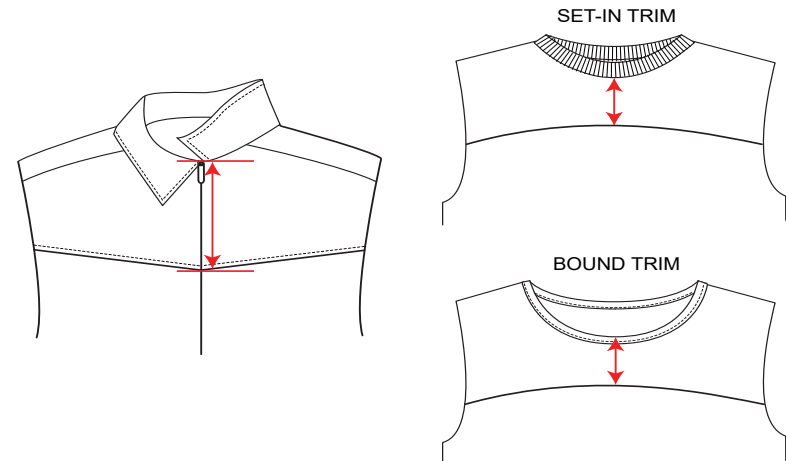
Measure along neck seam from High Point Shoulder to Raglan Seam

POM A152
FRONT YOKE HEIGHT AT HIGH POINT SHOULDER



Lay garment with front facing you
 Measure straight from High Point Shoulder to yoke seam

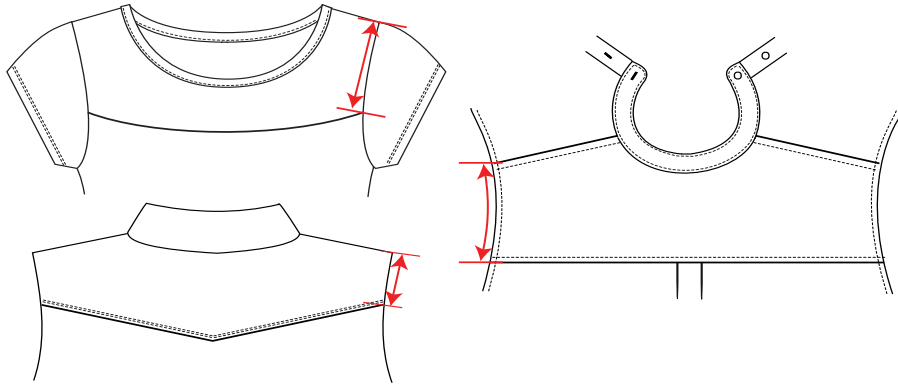
POM A152A
FRONT YOKE HEIGHT AT CENTER FRONT



Measure straight from CF neck to yoke seam
SET-IN COLLAR/NECK TRIM: Measure from collar/trim seam
BOUND/FACED NECK OPENING: Measure from edge of neck opening

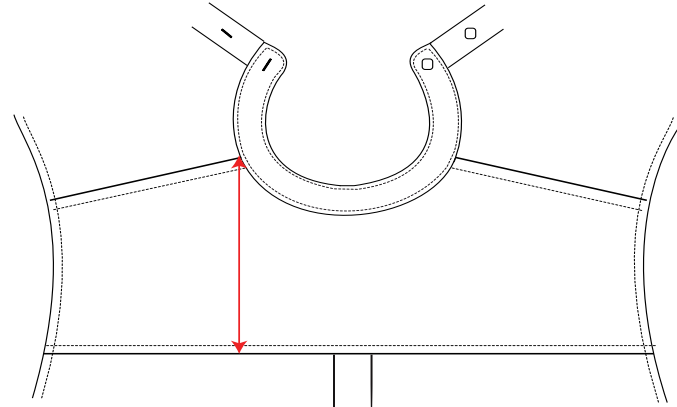
HOW TO MEASURE GUIDE FOR PRIVATE & EXCLUSIVE BRAND APPAREL

**POM A153A
YOKE HEIGHT AT ARMHOLE SEAM**



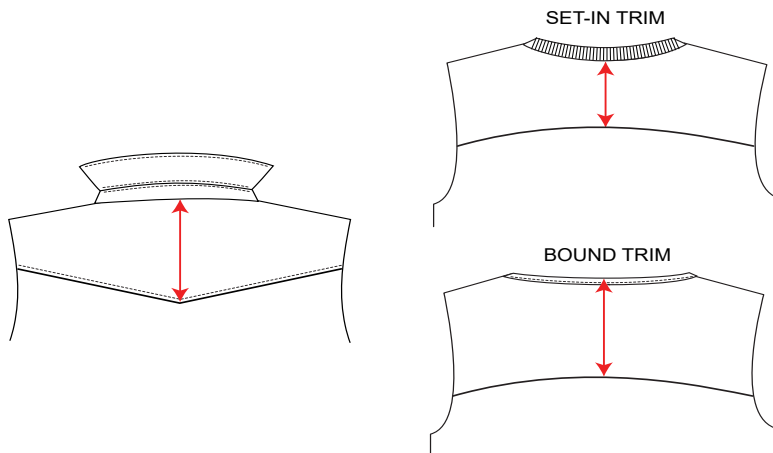
Measure along armole seam from shoulder seam to yoke seam

**POM A154
BACK YOKE HEIGHT AT SHOULDER/NECK SEAM**



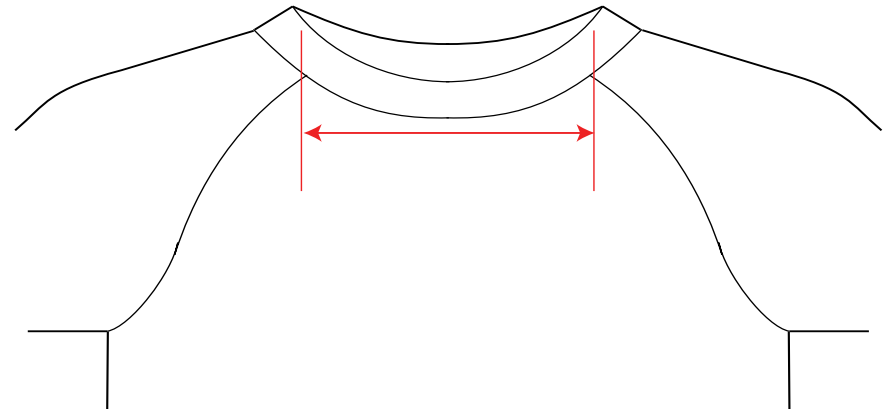
Lay garment with back facing you
Measure straight from High Point Shoulder/Neck Joined point to yoke seam

**POM A154A
BACK YOKE HEIGHT AT CENTER BACK**



Measure straight from CB neck to yoke seam
SET-IN COLLAR/NECK TRIM: Measure from collar/trim seam
BOUND/FACED NECK OPENING: Measure from edge of neck opening

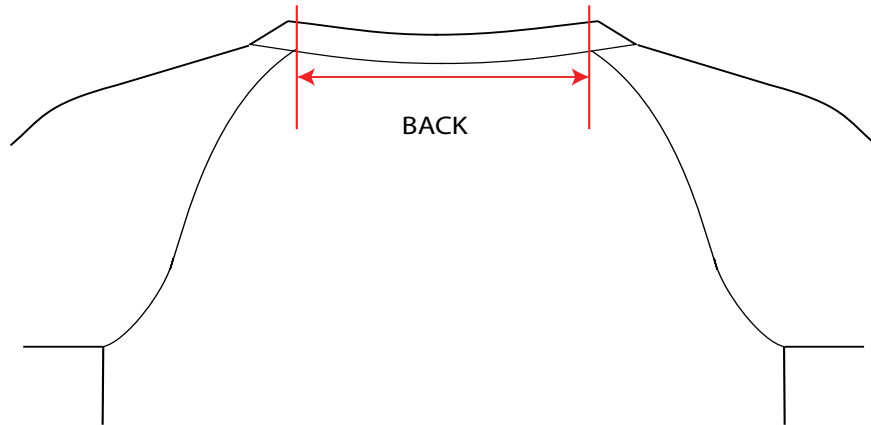
**POM A156
RAGLAN ACROSS FRONT AT NECKLINE**



Lay garment with front facing you
Measure straight from raglan seam to seam at front neckline

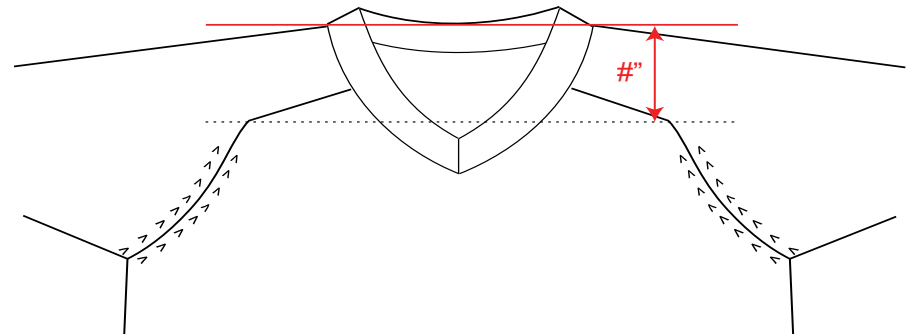
HOW TO MEASURE GUIDE FOR PRIVATE & EXCLUSIVE BRAND APPAREL

**POM A157
RAGLAN ACROSS BACK AT NECKLINE**



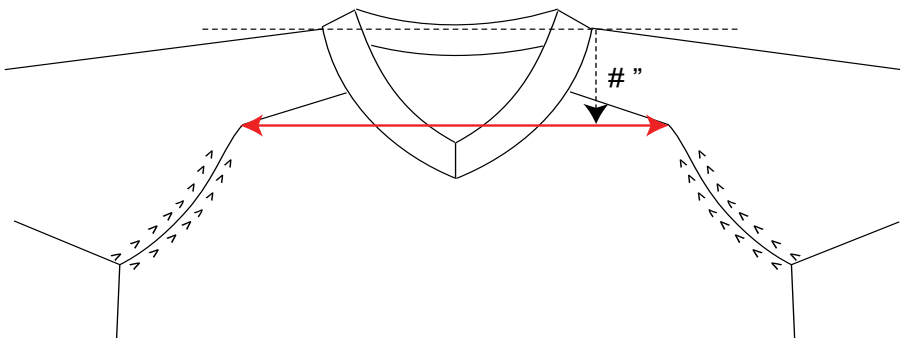
Lay garment with back facing you
Measure straight from raglan seam to seam at Back neckline

**POM A159
SADDLE WIDTH PLACEMENT #'' FROM HIGH POINT SHOULDER**



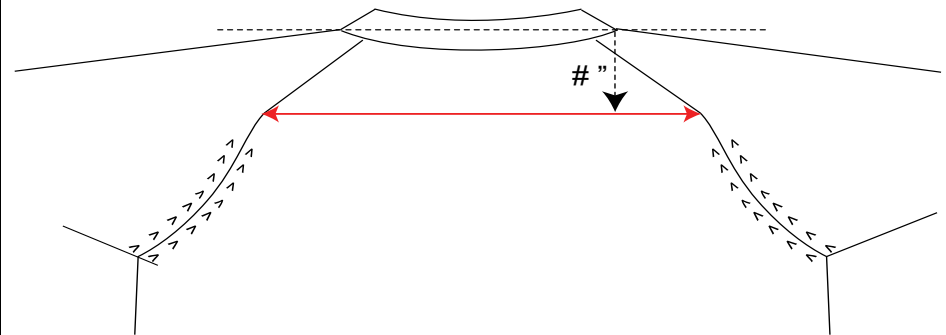
Measure straight from High Point Shoulder to determine placement of front/back saddle width

**POM A159A
FRONT SADDLE WIDTH #'' FROM HIGH POINT SHOULDER -
DEVELOPMENT ONLY**



Lay garment with front facing you
Measure straight across from seam to seam at turning point of saddle as specified down from High Point Shoulder

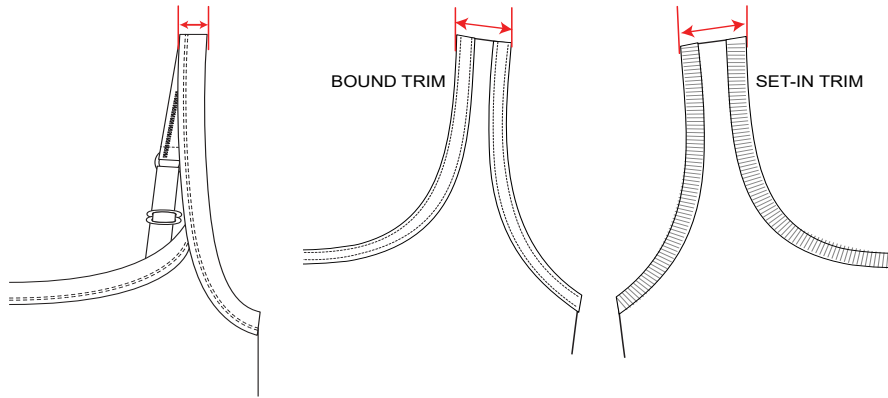
**POM A160A
BACK SADDLE WIDTH #'' FROM HIGH POINT SHOULDER -
DEVELOPMENT ONLY**



Lay garment with back facing you
Measure straight across from seam to seam at turning point of saddle as specified down from High Point Shoulder

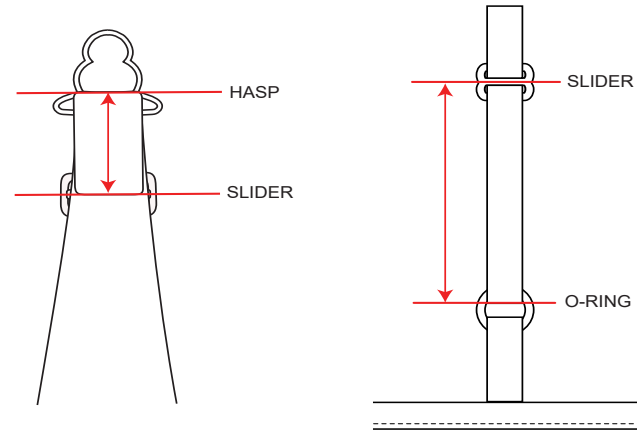
HOW TO MEASURE GUIDE FOR PRIVATE & EXCLUSIVE BRAND APPAREL

POM A164 SHOULDER/STRAP WIDTH



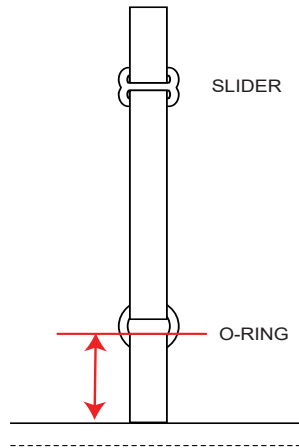
Measure straight from edge to edge at center of strap, or edge to edge along High Point Shoulder seam or fold, including trim

POM A166 STRAP SLIDER PLACEMENT



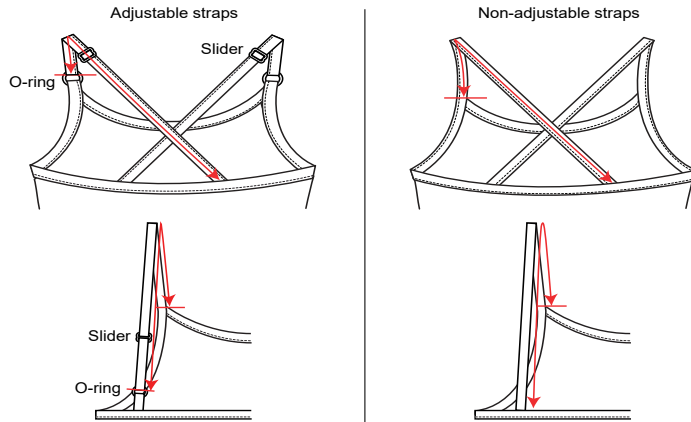
TOPS: Measure from fold of O-ring to center of slider
BIB OVERALL: Measure straight along center of strap from fold at hasp to center of slider

POM A166A STRAP O-RING PLACEMENT



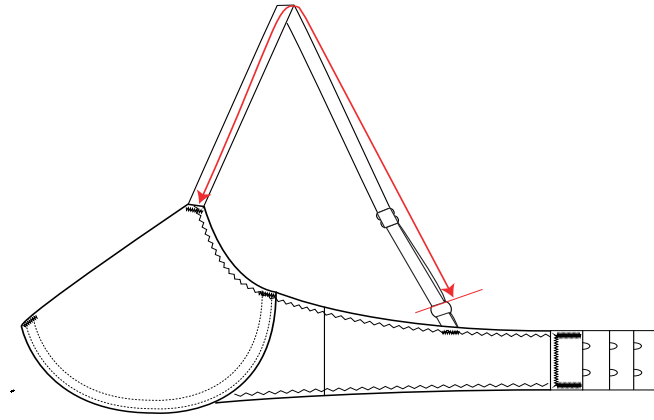
Measure along center of strap from fold of O-ring to Back top edge of garment

POM A167 STRAP LENGTH - TOTAL LENGTH



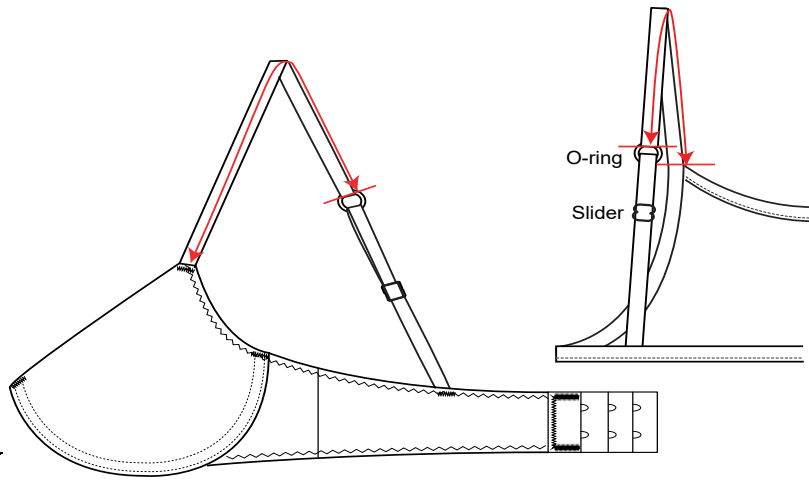
ADJUSTABLE STRAPS: Measure peak/neckline to O-ring along inside edge with strap slider in specified position. Do not include O-ring attachment
NON-ADJUSTABLE STRAPS: Measure along inside edge from peak to peak or neckline to neckline

POM A169 STRAP LENGTH WITH 2" ADJUSTMENT



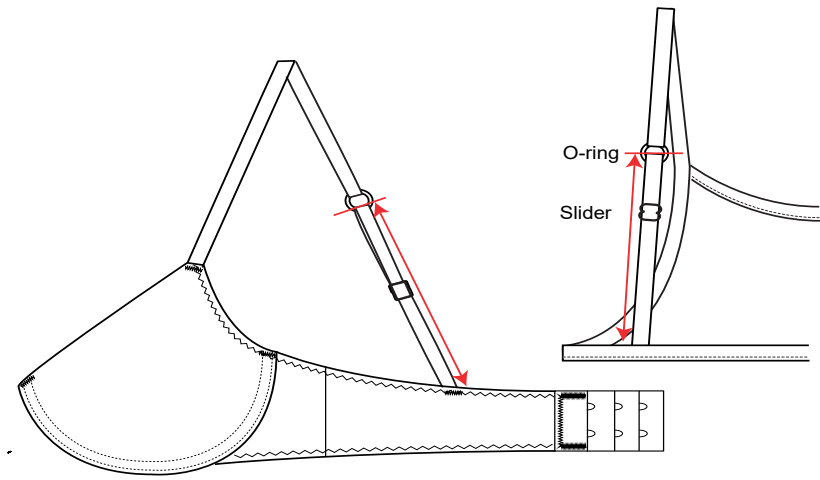
Measure strap from front cup join to back edge excluding hardware and tab

POM A170 FRONT STRAP LENGTH



Measure along strap from cup join/peak to ring excluding hardware

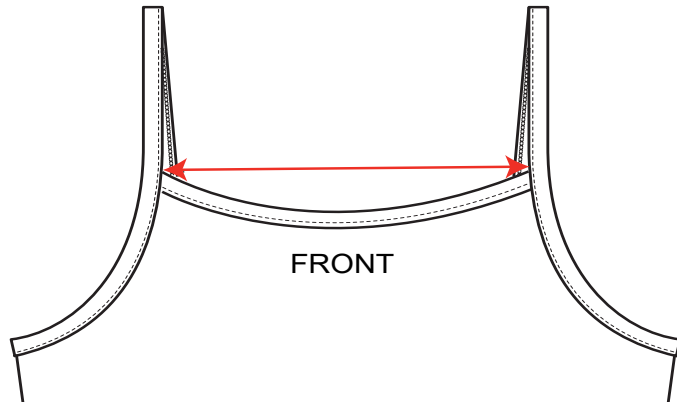
POM A170A BACK STRAP LENGTH



Measure along strap from O-ring to wing/back seam or binding excluding hardware

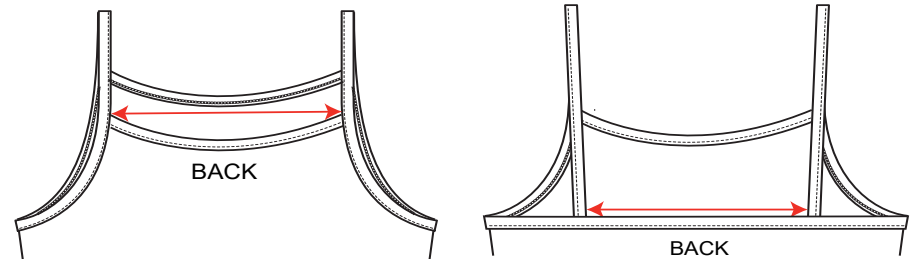
HOW TO MEASURE GUIDE FOR PRIVATE & EXCLUSIVE BRAND APPAREL

**POM A171
DISTANCE BETWEEN STRAPS AT FRONT FOR CAMI**



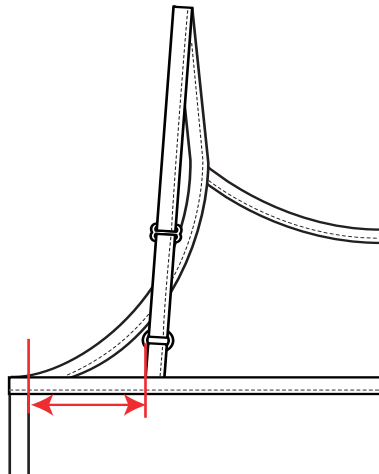
Measure straight from inside edge to edge at front peaks or where strap joins to body, excluding straps

**POM A172
DISTANCE BETWEEN STRAPS AT BACK FOR CAMI**



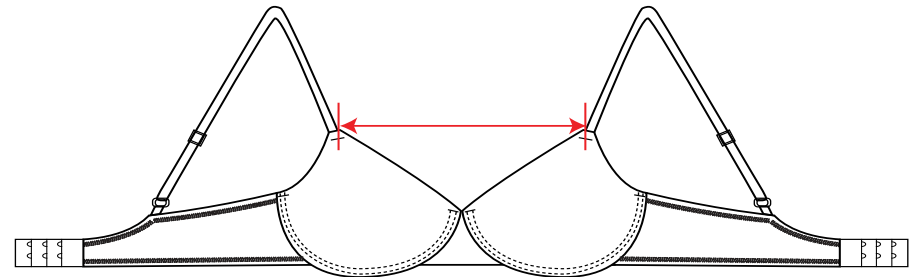
Lay garment flat with back facing you
Measure straight from inside edge to edge at back peaks or where strap joins to body, excluding straps

**POM A173
BACK STRAP PLACEMENT FROM SIDE SEAM**



Lay garment with back facing you
Measure along back neckline from Side Seam location to edge of strap

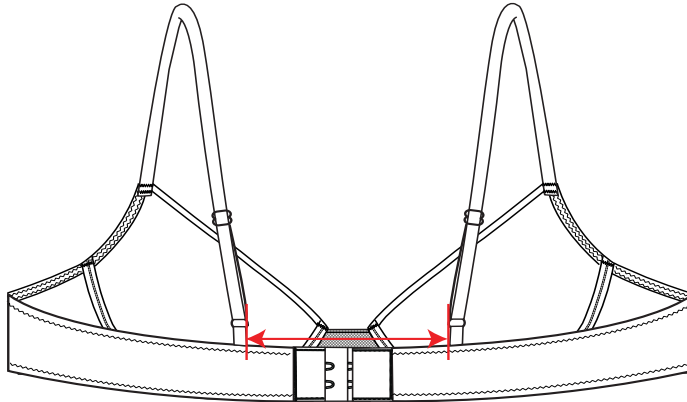
**POM A175
DISTANCE BETWEEN STRAPS AT FRONT**



Measure straight across front at strap join from inside edge to inside edge

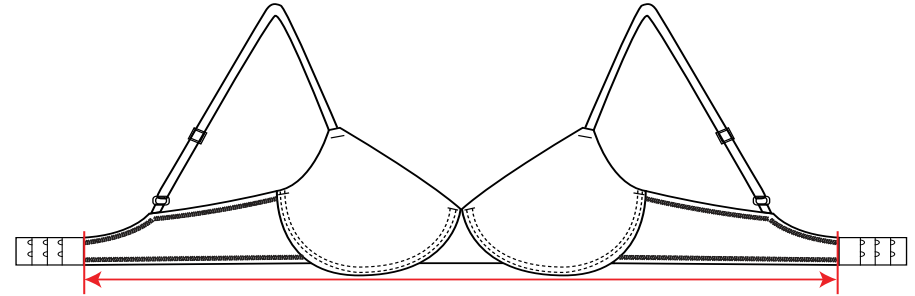
HOW TO MEASURE GUIDE FOR PRIVATE & EXCLUSIVE BRAND APPAREL

**POM A176
DISTANCE BETWEEN STRAPS AT BACK**



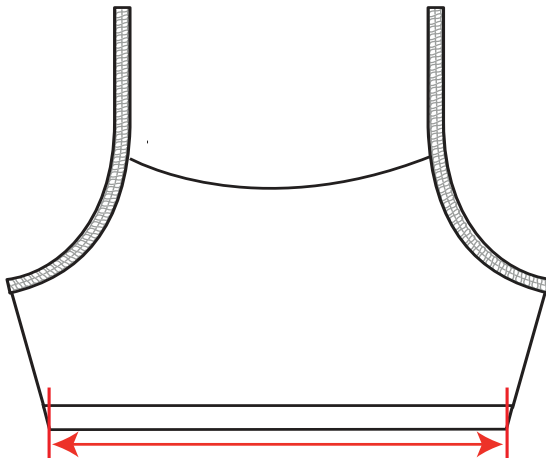
Measure straight across back from inside edge to inside edge at base of straps with garment closed on middle hook

**POM A200
BOTTOM BAND LENGTH - EXCLUDING CLOSURE**



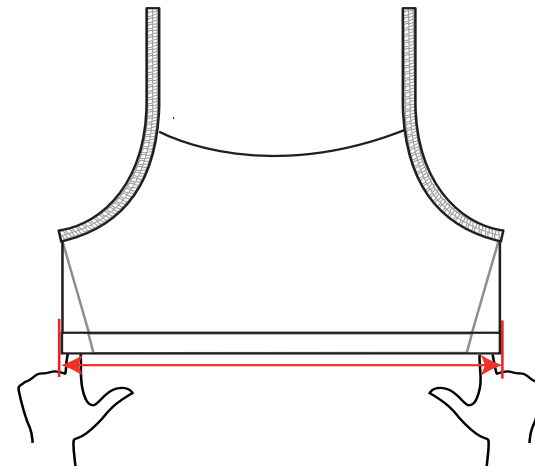
Lay garment flat, unfastened
Measure from closure seam to closure seam, excluding hooks and eyes

**POM A201H
BRA BOTTOM BAND RELAXED - 1/2 MEASUREMENT**



Measure straight from outside edge to outside edge at bottom opening
INTERNAL BRA: Turn garment inside out so bra is outside of garment shell before measuring

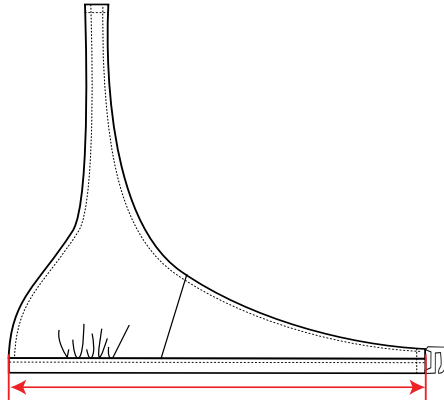
**POM A202H
BRA BOTTOM BAND EXTENDED - 1/2 MEASUREMENT**



Using your index fingers, extend bra to maximum width without breaking stitches and measure from outside edge to outside edge
INTERNAL BRA: Turn garment inside out so bra is outside of garment shell before measuring

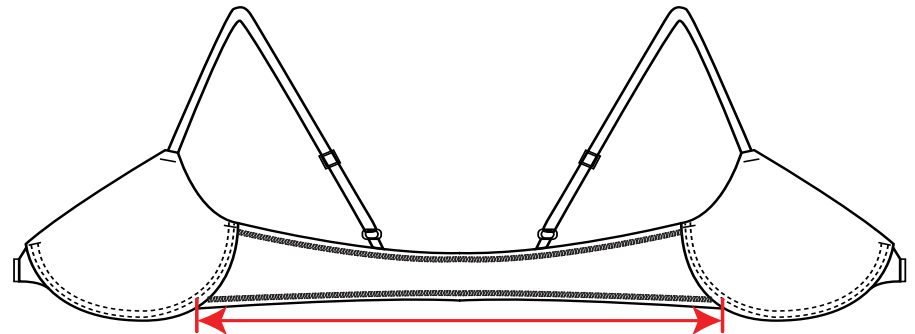
HOW TO MEASURE GUIDE FOR PRIVATE & EXCLUSIVE BRAND APPAREL

POM A203H
HALTER BOTTOM BAND LENGTH - 1/2 MEASUREMENT



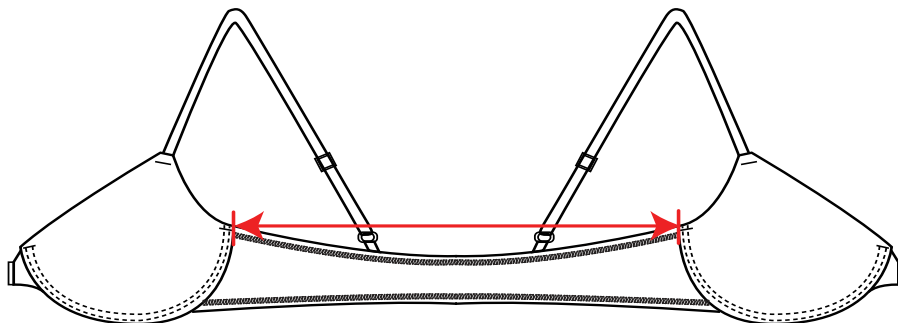
Measure straight at bottom band from CF to CB of garment - Folded

POM A205
BOTTOM BAND LENGTH FRONT CLOSURE



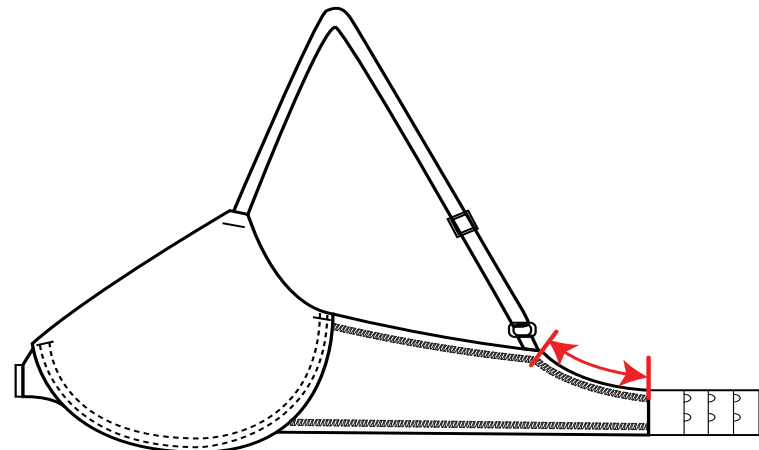
Lay garment flat, unfastened
Measure along bottom back edge from seam to seam of cup join

POM A206
BACK NECKLINE LENGTH WITH FRONT CLOSURE



Lay garment flat, unfastened
Measure along top edge from cup join seam to cup join seam

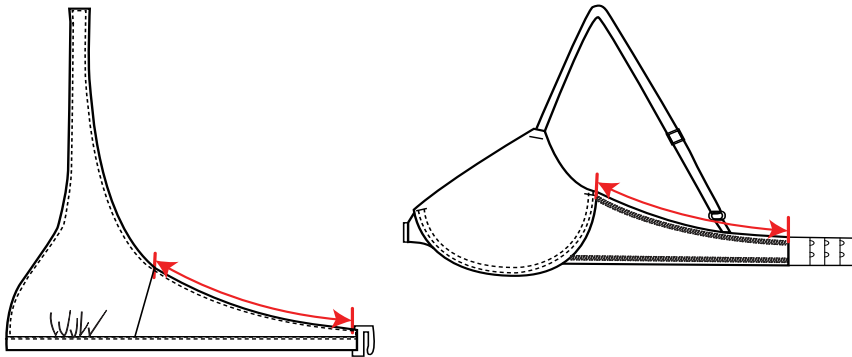
POM A207
BACK NECKLINE LENGTH WITH BACK CLOSURE



Measure along edge from closure seam to back strap platform

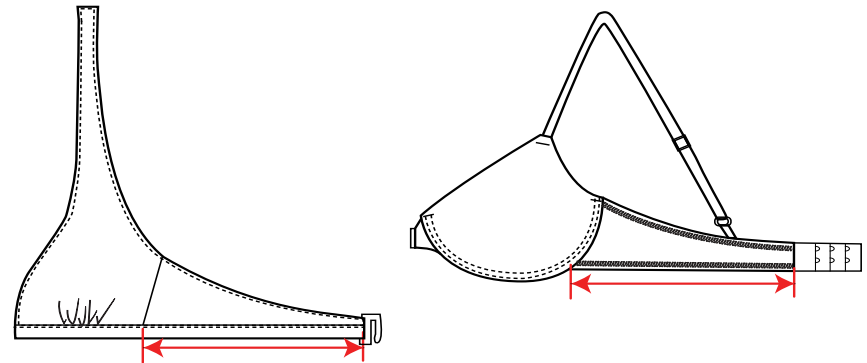
HOW TO MEASURE GUIDE FOR PRIVATE & EXCLUSIVE BRAND APPAREL

**POM A208, A208GG (Gore Grade), A208PG (Plunge Grade)
WING LENGTH AT TOP EDGE**



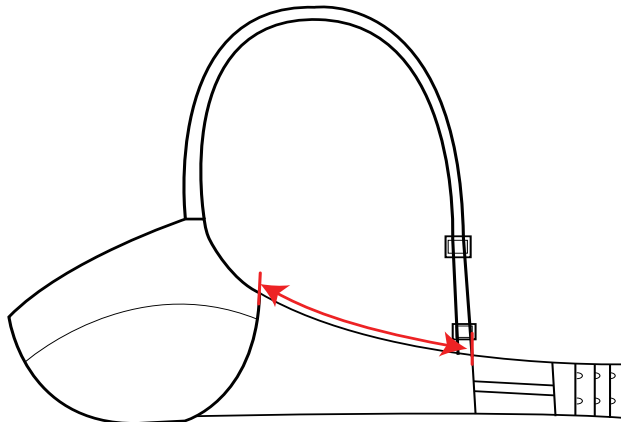
Measure along edge from closure seam to back strap platform

**POM A209, A209GG (Gore Grade), A209PG (Plunge Grade)
WING LENGTH AT BOTTOM**



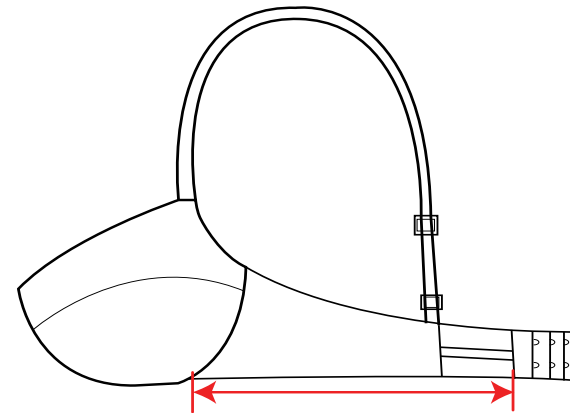
Measure along bottom edge of wing from wire channel or cup seam to closure seam - excluding closure

**POM A210, A210GG (Gore Grade), A210PG (Plunge Grade)
SIDE WING LENGTH AT TOP TO BACK EXTENSION SEAM**



Measure top of wing from wire channel to back extension seam

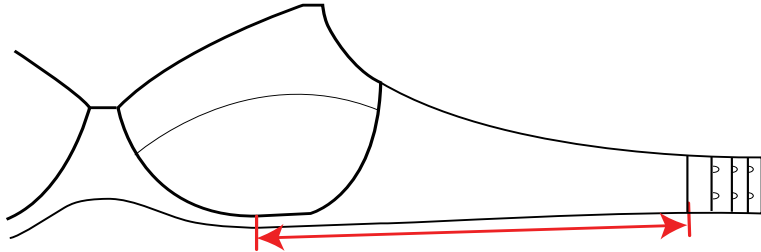
**POM A211, A211GG (Gore Grade), A211PG (Plunge Grade)
SIDE WING LENGTH AT BOTTOM TO BACK EXTENSION SEAM**



Measure side of wing at bottom from wire channel to back extension seam

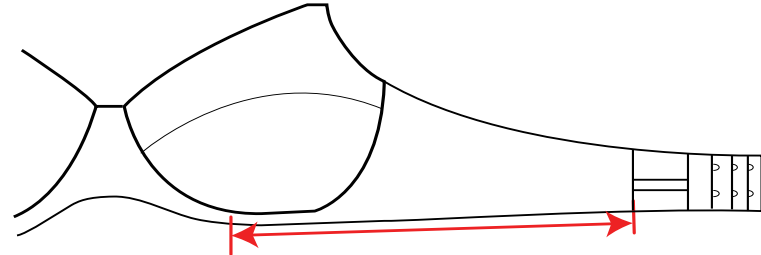
HOW TO MEASURE GUIDE FOR PRIVATE & EXCLUSIVE BRAND APPAREL

POM A212
WING LENGTH AT BOTTOM FRAME TO CLOSURE SEAM



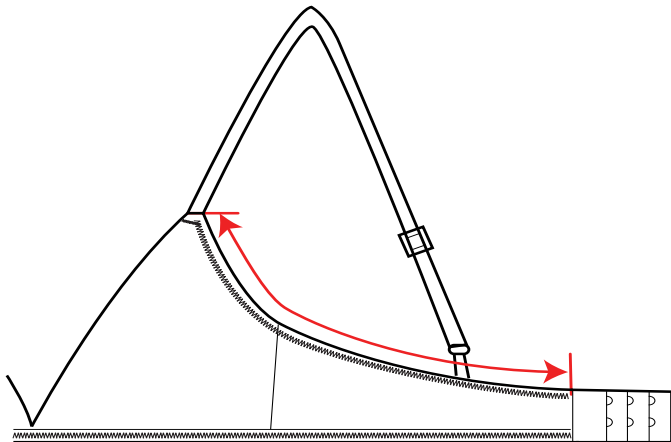
Measure bottom wing from frame seam to hook and eye seam - excluding hook & eye

POM A213
WING LENGTH AT BOTTOM FRAME TO BACK EXTENSION SEAM



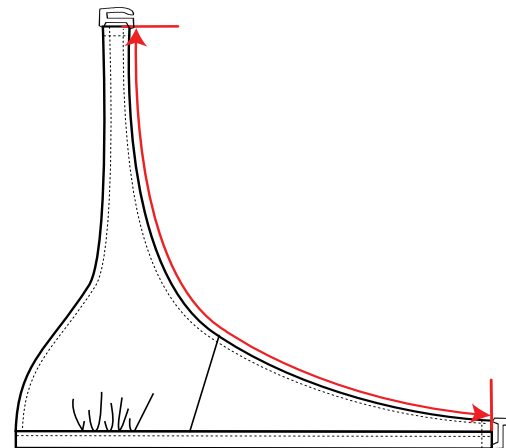
Measure from frame seam to back extension seam

POM A214, A214GG (Gore Grade)
UNDERARM - EXCLUDING CLOSURE



Measure along top edge from strap join closure seam

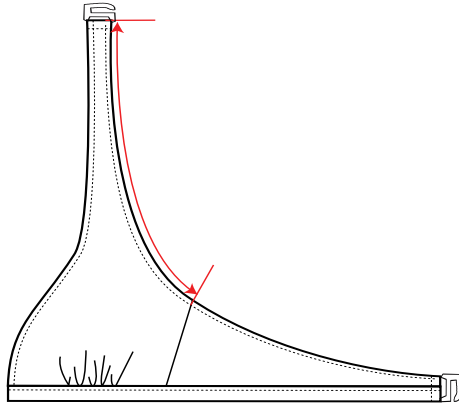
POM A216
HALTER LENGTH AT ARM EDGE - TOTAL - DEVELOPMENT ONLY



Measure along arm edge of halter from edge to edge, along curve - excluding closure

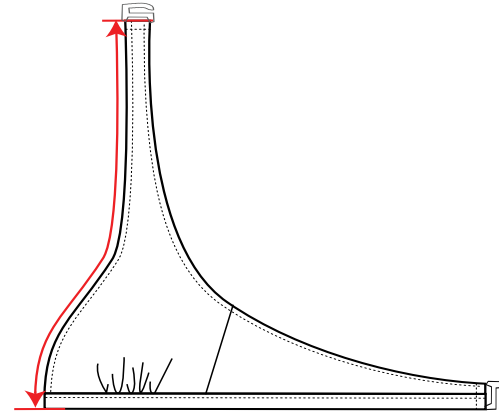
HOW TO MEASURE GUIDE FOR PRIVATE & EXCLUSIVE BRAND APPAREL

POM A216A
HALTER LENGTH AT ARM EDGE TO WING SEAM - DEVELOPMENT



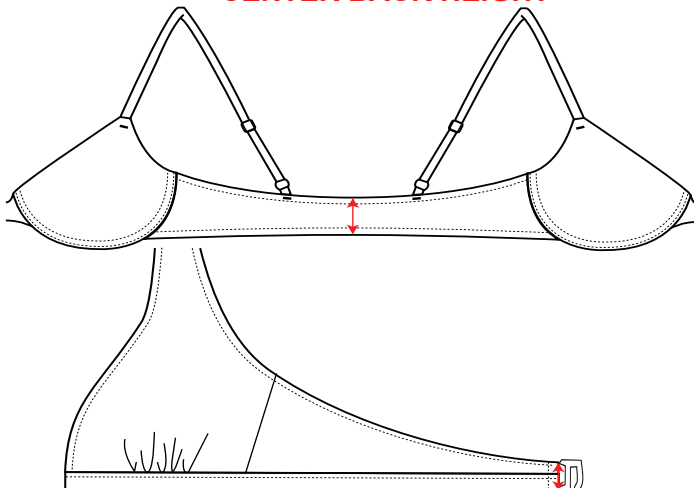
Measure along arm edge of halter from edge to seam at wing, along curve - excluding closure

POM A217A
HALTER NECKLINE LENGTH



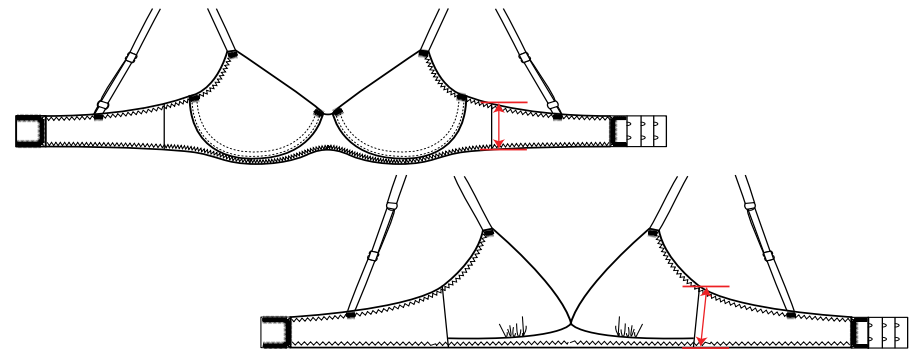
Measure along neckline edge of halter from strap edge to bottom edge - excluding closure

POM A218
CENTER BACK HEIGHT



Measure straight from edge to edge at center back

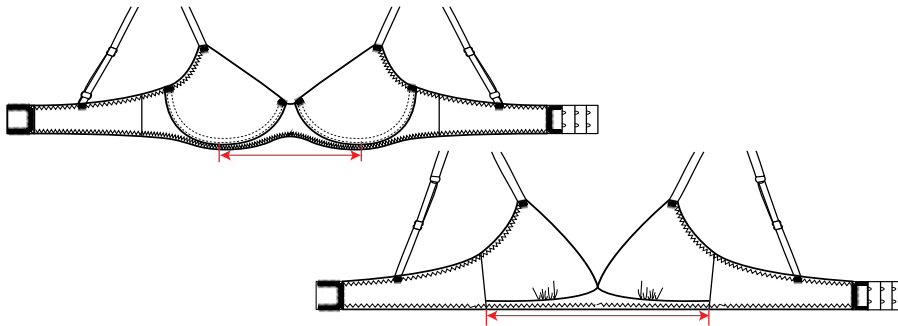
POM A219
WING HEIGHT AT CUP SEAM



Measure along wing seam from edge to edge

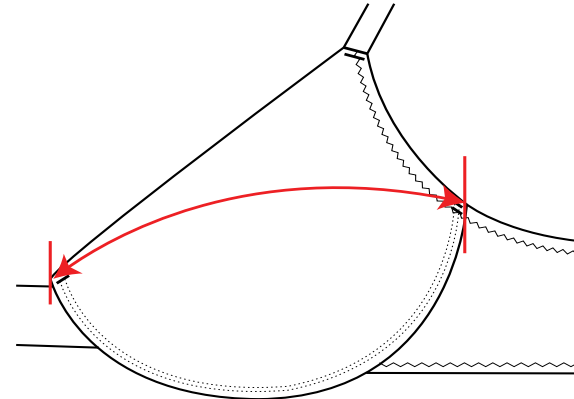
HOW TO MEASURE GUIDE FOR PRIVATE & EXCLUSIVE BRAND APPAREL

POM A220 FRAME WIDTH



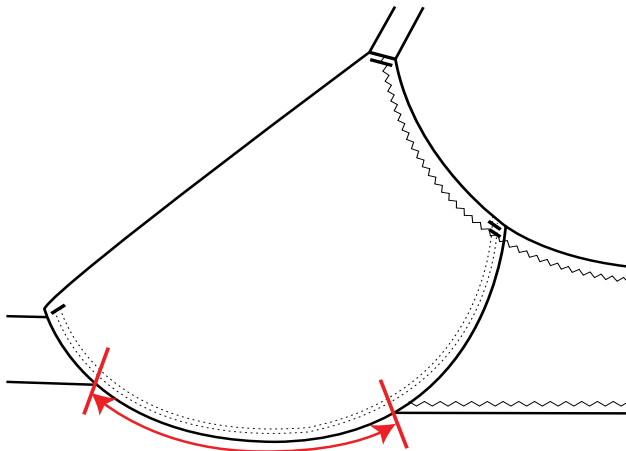
Measure along wing seam from seam to seam

POM A221 HORIZONTAL CUP



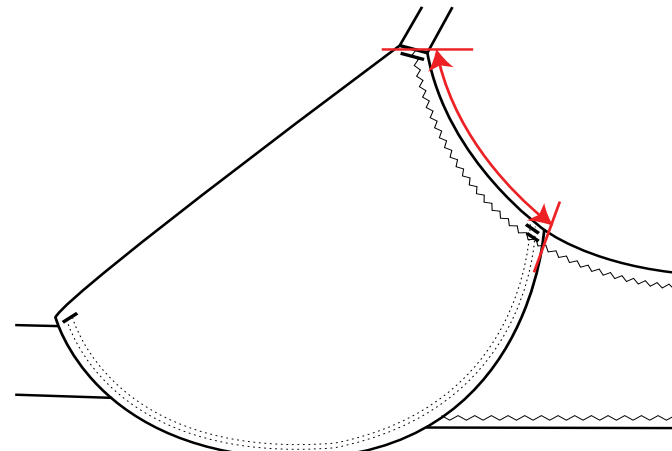
Measure from Center Front Gore or Seam to Sidecup or Wing seam over Apex

POM A222, A222PG (Plunge Grade) UNDERCUP ALONG CURVE



Measure along bottom edge of wire channel from Center Front or Gore seam to Wing or side seam

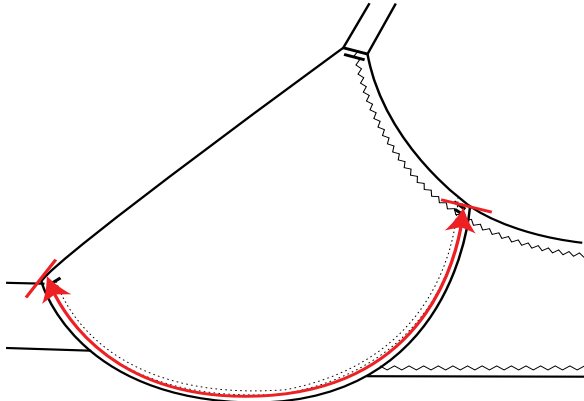
POM A223 SIDECUP



Measure along curve of cup from strap join to wing seam

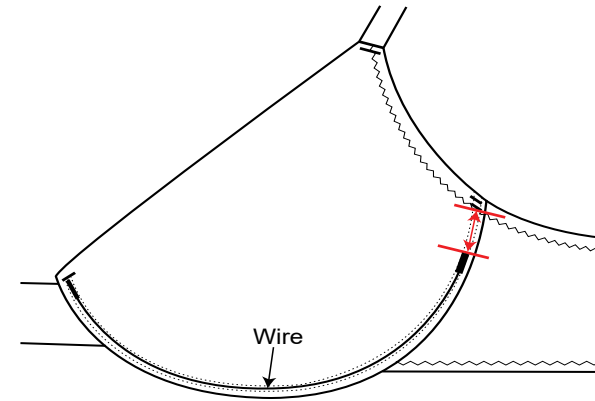
HOW TO MEASURE GUIDE FOR PRIVATE & EXCLUSIVE BRAND APPAREL

POM A224, A224PG (Plunge Grade) CUP WIRE CHANNEL EDGE TO EDGE



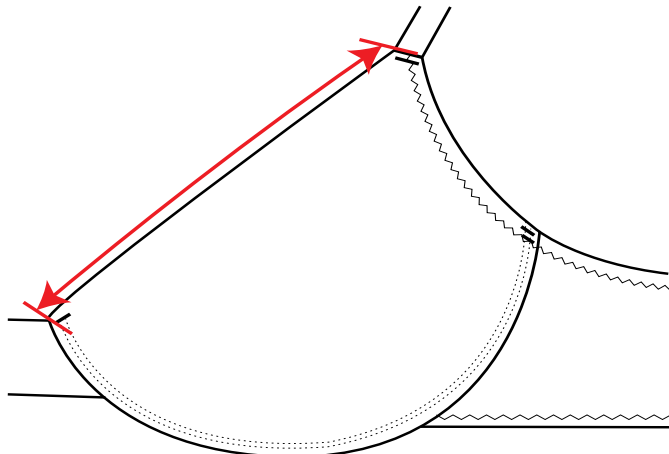
Measure along outer stitch of wire channel from cup edge to cup edge

POM A224 TOTAL WIRE PLAY



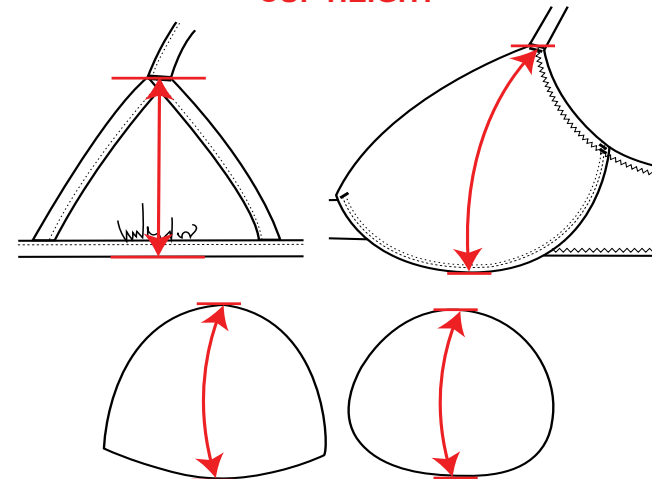
With wire end touching Center Front bartack, measure distance between wire end and bartack at side of cup

POM A225, A225PG (Plunge Grade) CUP LENGTH AT NECKLINE



Measure along neckline edge from Center Front or Gore seam to side cup/strap join or platform

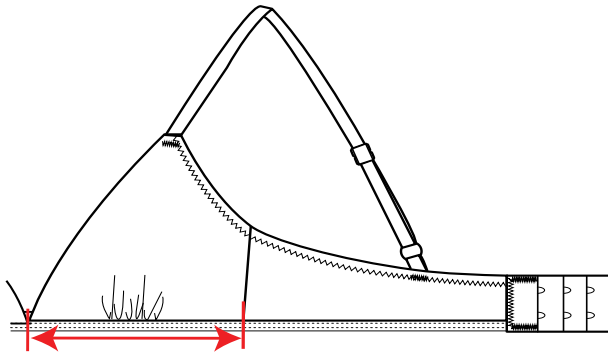
POM A226, A226FC (Foam Cup) CUP HEIGHT



Measure from bottom edge of cup to strap join/bottom cup, over apex
FOAM CUP: Orientation of cup measurement matches orientation of cup in garment.

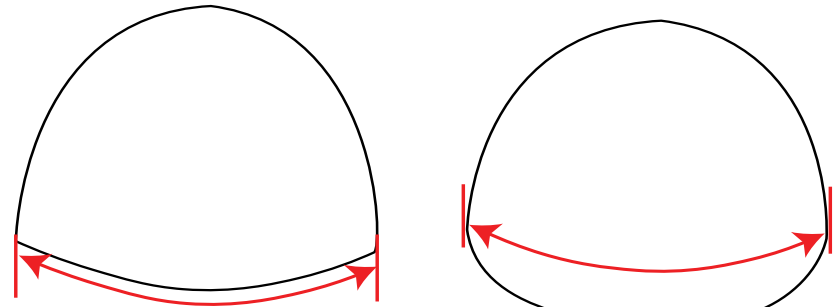
HOW TO MEASURE GUIDE FOR PRIVATE & EXCLUSIVE BRAND APPAREL

**POM A227
CUP LENGTH AT BOTTOM EDGE**



Measure along bottom edge from Center Front or Gore seam to side wing seam or side seam.

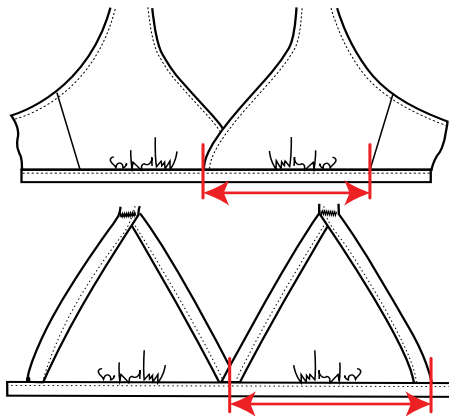
**POM A227FC (Foam Cup)
CUP WIDTH AT WIDEST POINT**



Measure edge to edge over apex.

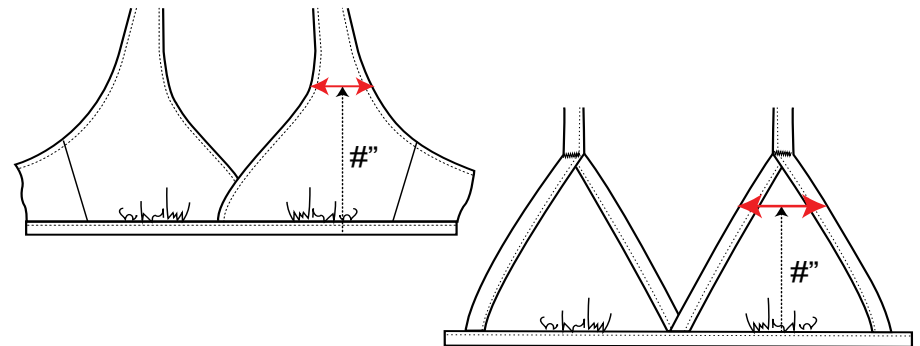
Measure straight from edge to edge at widest point of foam cup. Orientation of cup measurement matches orientation of cup in garment.

**POM 227S
CUP WIDTH AT BOTTOM SEAM - SWIM**



Measure along bottom edge from Center Front to side wing seam or side seam

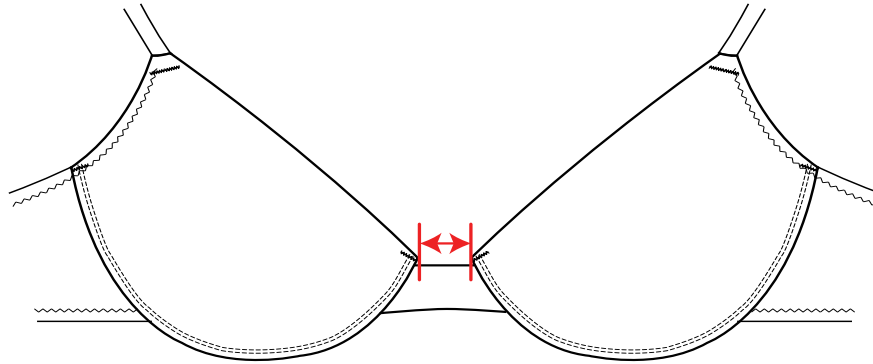
**POM 228S
CUP WIDTH #'' FROM BOTTOM SEAM OR EDGE - SWIM
DEVELOPMENT ONLY**



Measure straight across from edge to edge of cup at specified distance from bottom edge or seam of cup

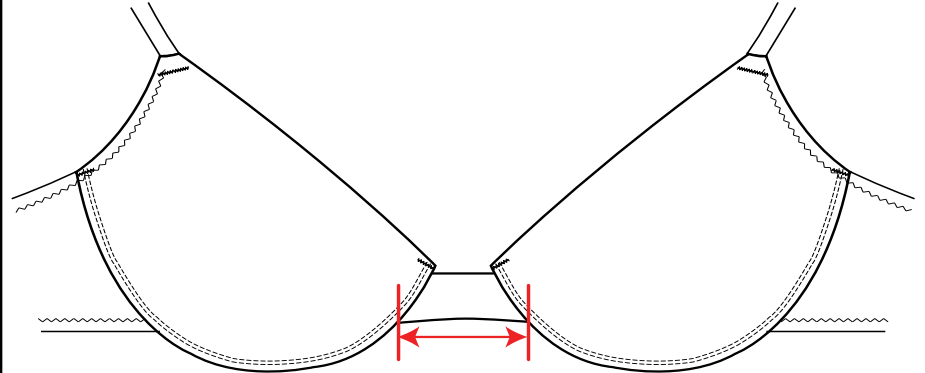
HOW TO MEASURE GUIDE FOR PRIVATE & EXCLUSIVE BRAND APPAREL

POM A230, A230GG (Gore Gade) CENTER FRONT GORE WIDTH AT TOP



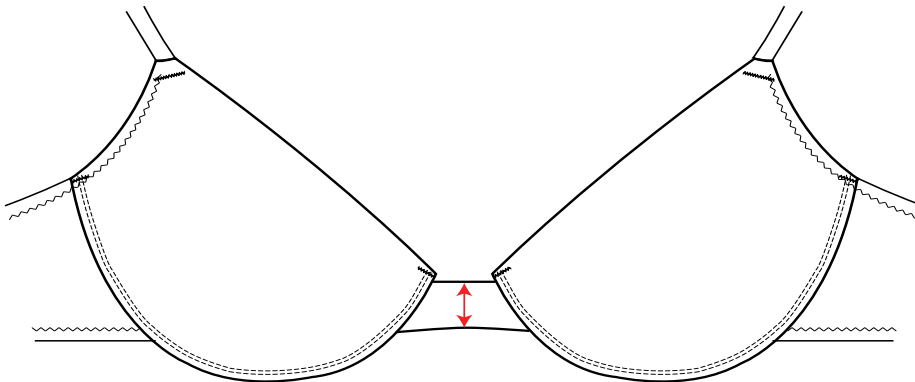
Measure along top edge of gore from cup seam to cup seam

POM A231, A231GG (Gore Gade) CENTER FRONT GORE WIDTH AT BOTTOM



Measure along bottom edge of gore from cup seam to cup seam

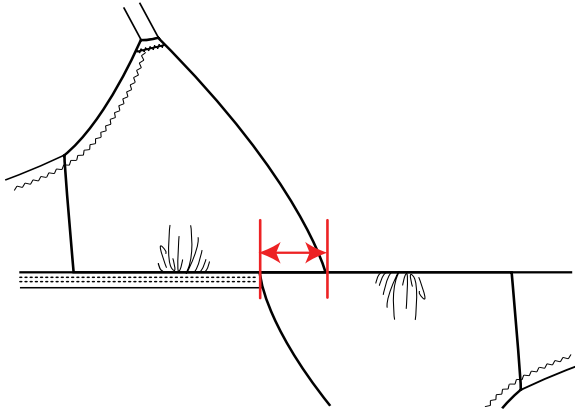
POM A232, A232GG (Gore Gade) CENTER FRONT GORE HEIGHT



Measure straight at Center Front of gore from edge to edge

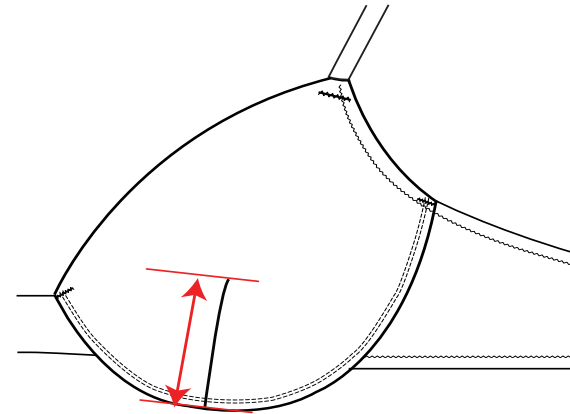
HOW TO MEASURE GUIDE FOR PRIVATE & EXCLUSIVE BRAND APPAREL

**POM A234
CUP OVERLAP AT CENTER FRONT**



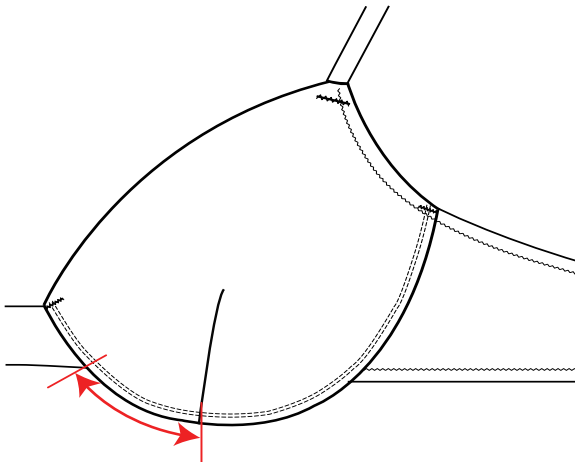
Measure from edge of right overlap to edge of left overlap at bottom band seam

**POM A235
CUP DART LENGTH**



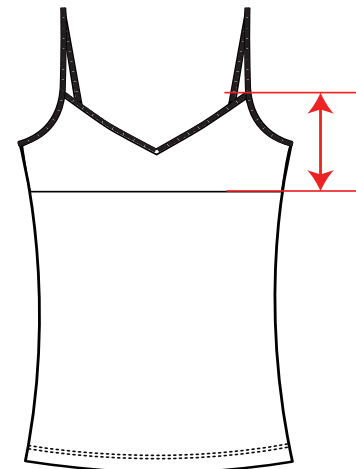
Measure along dart from end to end

**POM A235A
CUP DART PLACEMENT FROM CENTER FRONT OR GORE**



Measure along edge from Center Front or gore seam to end of dart

**POM A240
PEAK TO SEAM - CAMI**

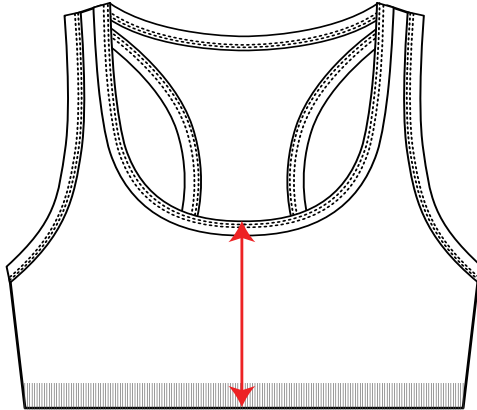


Measure straight from peak to empire seam

HOW TO MEASURE GUIDE

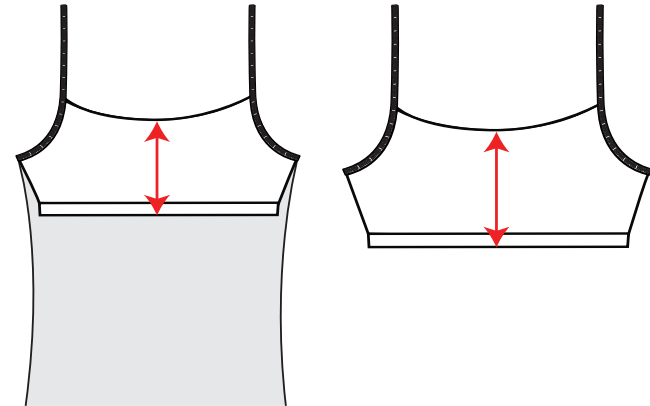
FOR PRIVATE & EXCLUSIVE BRAND APPAREL

POM A241 AB CENTER FRONT LENGTH - SPORT BRA



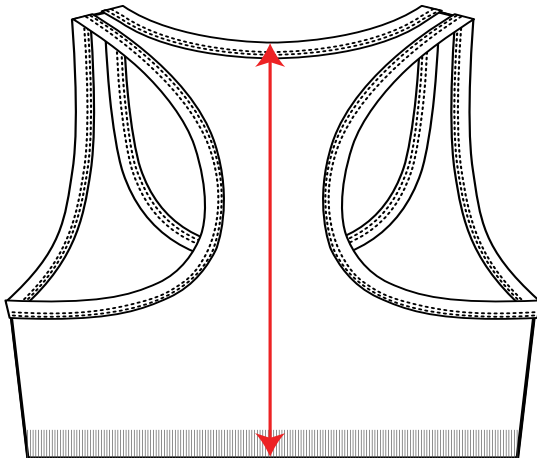
Lay garment with front facing you
Measure straight from Center Front neck edge to Center Front bottom edge

POM A241 IB CENTER FRONT LENGTH - BRA



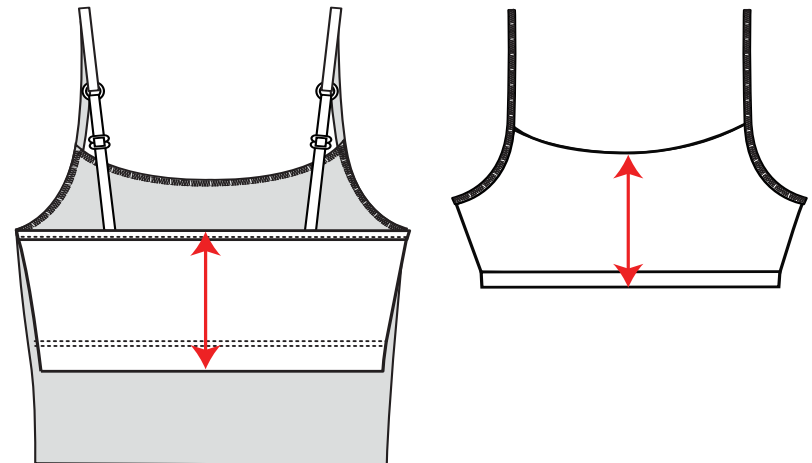
Measure bra straight at Center Front from neck edge to bottom opening edge, including trim

POM A242 AB CENTER BACK LENGTH - SPORT BRA



Lay garment with back facing you
Measure straight from Center Back neck edge to Center Back bottom edge

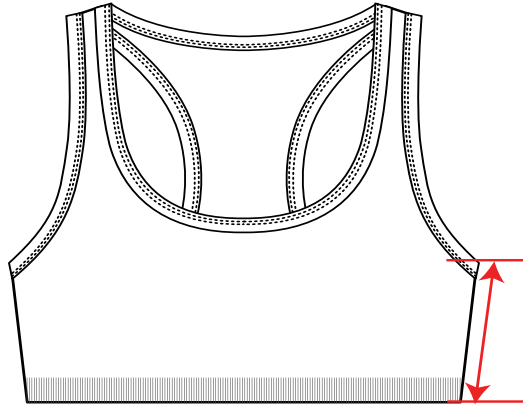
POM A242 IB CENTER BACK LENGTH - BRA



Measure bra straight at center back from neck edge to bottom opening edge, including trim

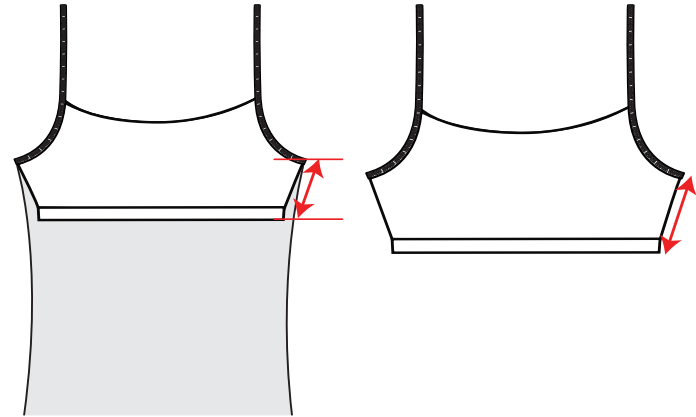
HOW TO MEASURE GUIDE FOR PRIVATE & EXCLUSIVE BRAND APPAREL

**POM A243 AB
SIDE SEAM LENGTH - SPORT BRA**



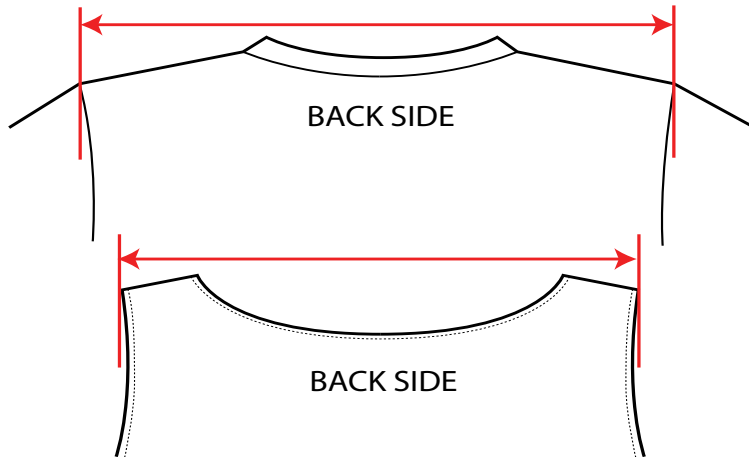
Measure along side seam of bra from underarm edge to bra opening edge, including trim

**POM A243 IB
SIDE LENGTH - BRA**



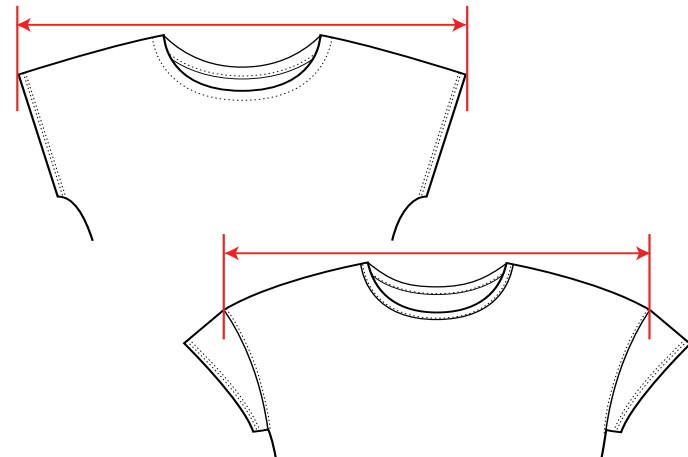
Measure bra straight at side seam from armhole edge to bottom opening edge including trim

**POM A250, A250 CPSC(Sleep) SW(Sweater)
ACROSS SHOULDER**



Lay garment flat with back facing you
Measure straight from armhole seam to seam
For sleeveless garments measure straight from armhole edge to edge

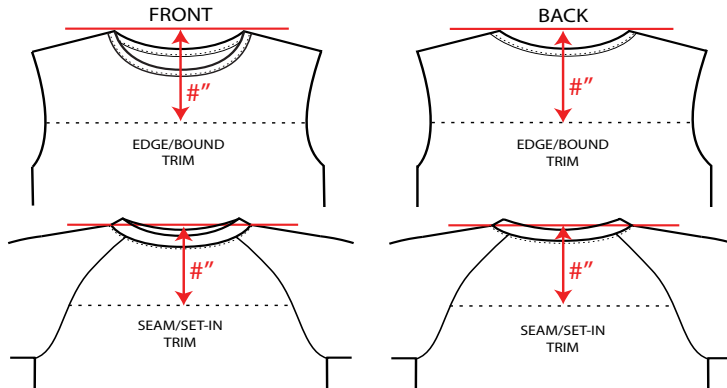
**POM A251
ACROSS SHOULDER DOLMAN & DROP SHOULDER**



Lay garment flat with front facing you
Measure straight from top of sleeve hem or edge to top of sleeve hem/edge
DROP SHOULDER: Measure straight from Armhole seam to Armhole seam.

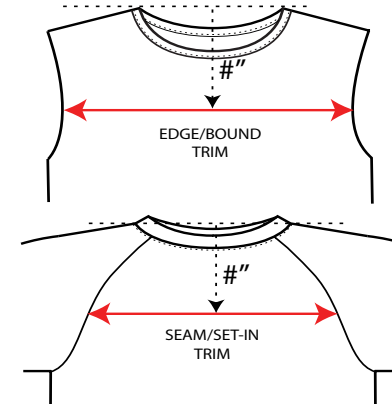
HOW TO MEASURE GUIDE FOR PRIVATE & EXCLUSIVE BRAND APPAREL

POM A253 ACROSS FRONT/BACK PLACEMENT #” FROM HIGH POINT SHOULDER



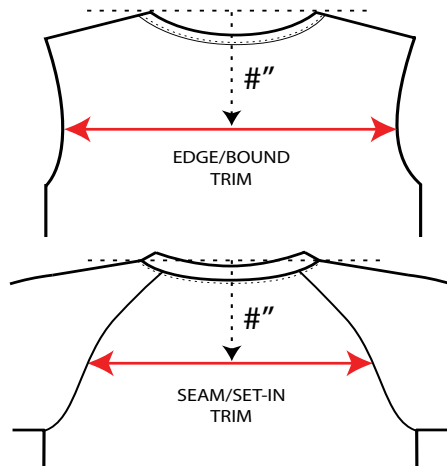
Measure straight from High Point Shoulder to determine placement of across front or across back measurement

POM A254, A254 CPSC(Sleep) SW(Sweater) ACROSS FRONT



Measure straight from armhole or raglan seam to armhole or raglan seam as specified distance from High Point Shoulder
For sleeveless garments, measure straight from armhole edge to armhole edge, or as specified, from High Point Shoulder or at Yoke Seam

POM A255, A255 CPSC(Sleep) SW(Sweater) ACROSS BACK

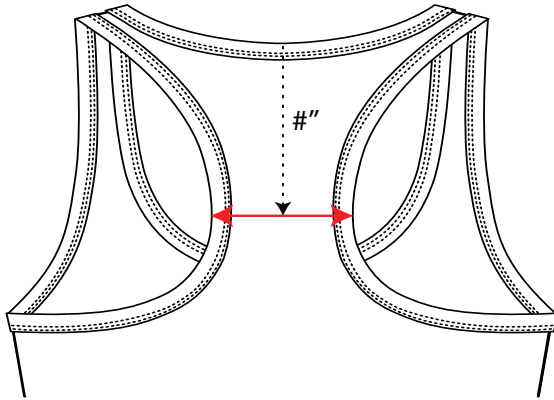


Measure straight from armhole or raglan seam to armhole or raglan seam as specified from High Point Shoulder
For sleeveless garments measure straight from armhole edge to armhole edge, or as specified, from High Point Shoulder or at Yoke Seam

HOW TO MEASURE GUIDE

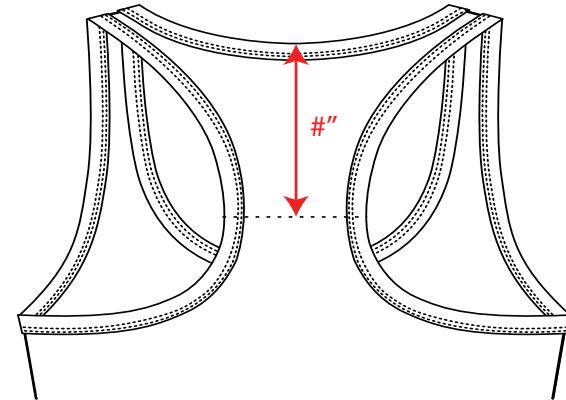
FOR PRIVATE & EXCLUSIVE BRAND APPAREL

POM A257, A257NG
ACROSS BACK #” FROM CENTER BACK NECK - RACERBACK



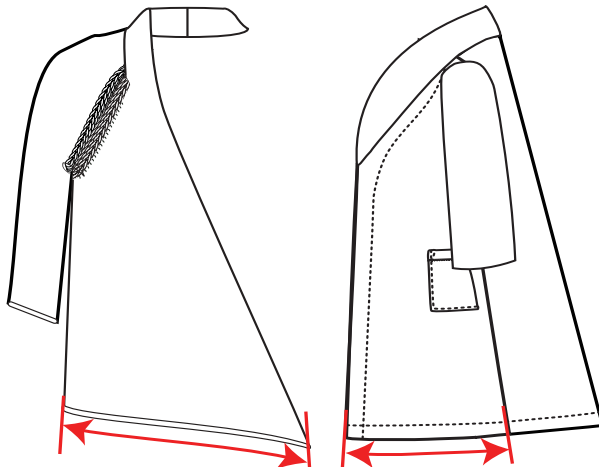
Lay garment with back facing you
 Measure straight from armhole edge to edge as specified center back neck

POM A257X
ACROSS BACK PLACEMENT FROM CENTER BACK NECK - RACERBACK



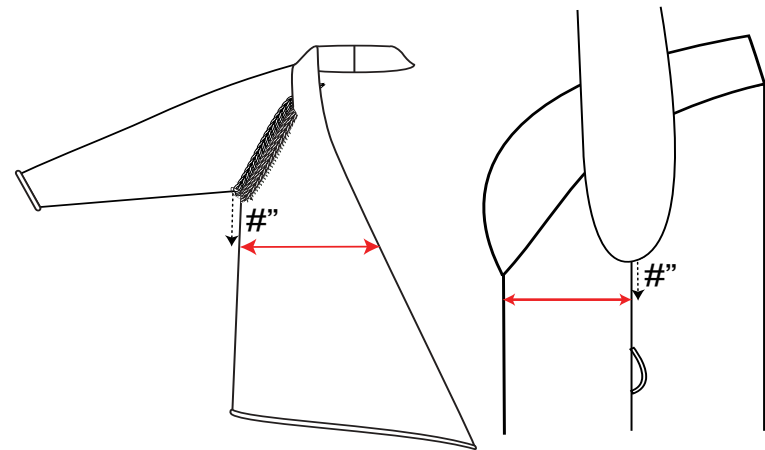
Measure straight from Center Back neck edge or seam
 to determine placement of across back measurement

POM A259A
HALF FRONT WRAP AT SWEEP



Open garment
 Measure along bottom from side seam to front edge at bottom of the garment

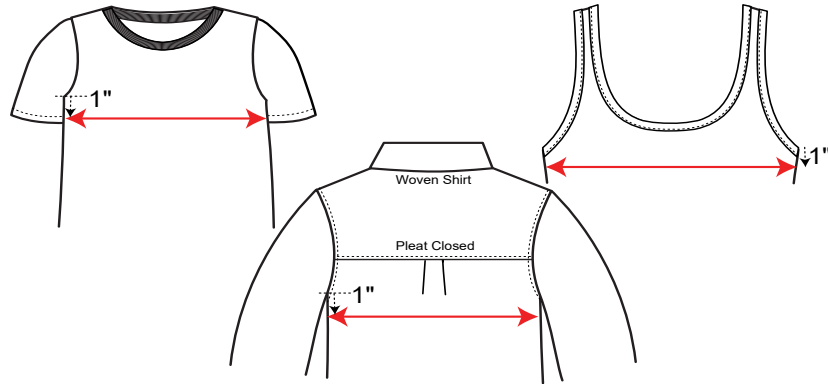
POM A259B
HALF FRONT WRAP #” BELOW ARMHOLE



Open garment and fold sleeve up
 Measure down specified #” and measure straight from side seam to front edge

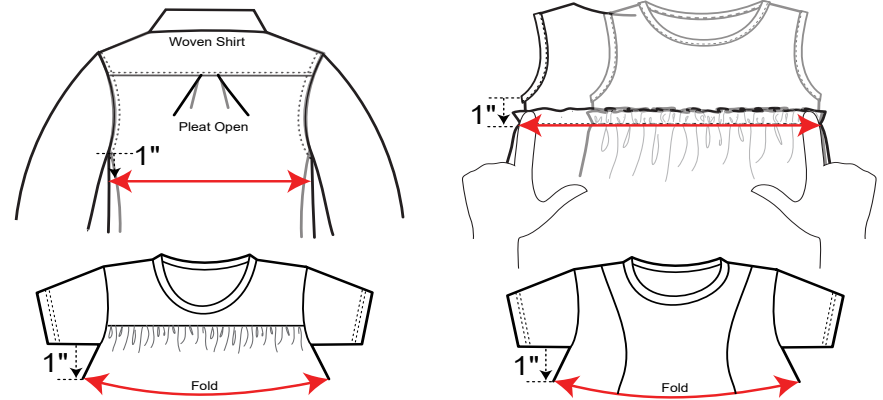
HOW TO MEASURE GUIDE FOR PRIVATE & EXCLUSIVE BRAND APPAREL

POM A260, A260H SW (Sweater) CHEST 1" BELOW ARMHOLE RELAXED



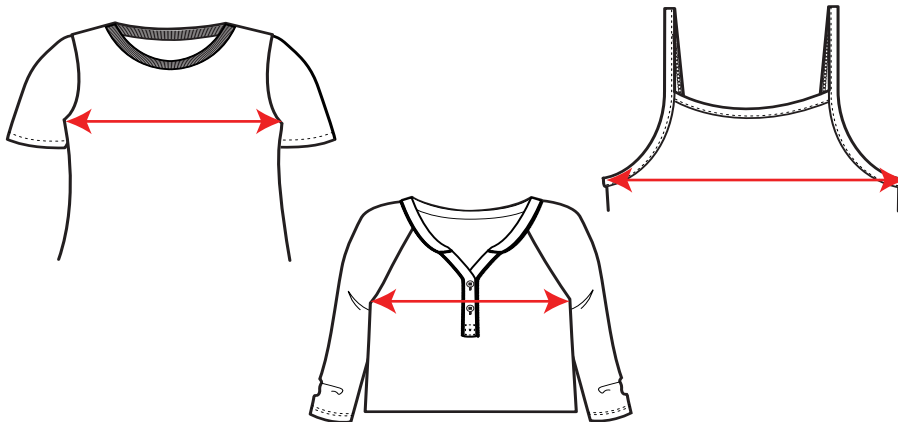
Measure straight across from edge to edge, 1" below armhole
Pleats or gathers are closed unless otherwise specified
WOVEN SHIRTS: Measure w/pleat closed.

POM A261, A261H CHEST 1" BELOW ARMHOLE EXTENDED



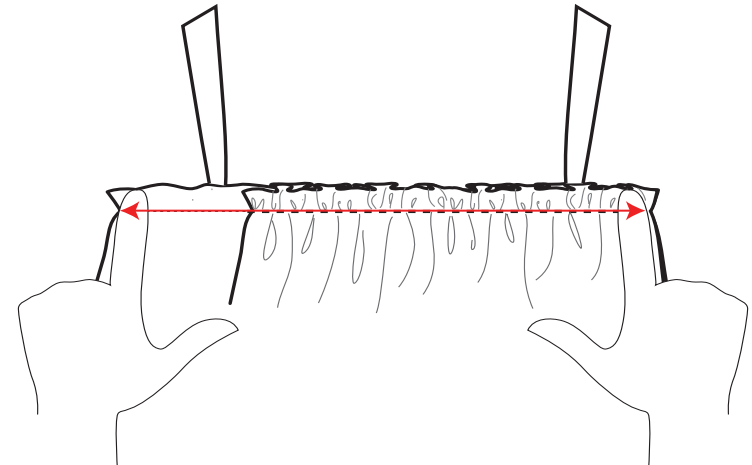
Measure straight across from edge to edge, 1" below armhole with seam or stitchline extended.
WOVEN SHIRTS: Measure w/pleat open.
FOR GARMENTS WITH EXTRA FULLNESS : Fold garment at specified distance below armhole to spread out all gathers. Measure along foldline.

POM A262H CPSC (Sleep) CHEST AT ARMHOLE RELAXED



Measure straight from edge to edge at bottom armhole. Pleats or gathers are closed/relaxed.
EXTRA FULLNESS AT CHEST: Fold garment 2" below armhole and adjust fullness.
Then measure at bottom of armhole.

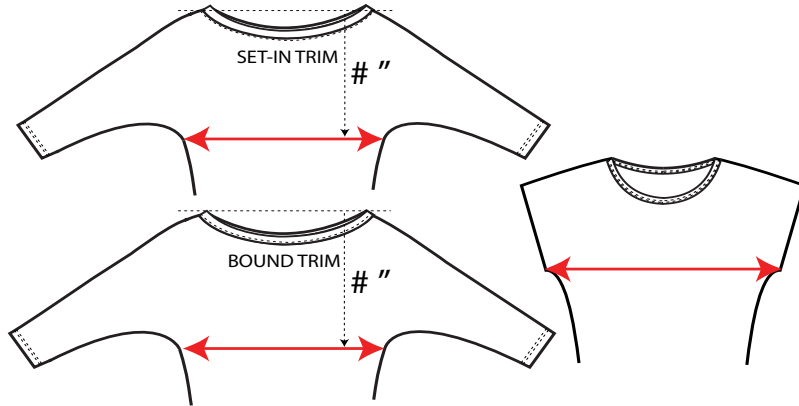
POM A263, A263H CHEST AT ARMHOLE EXTENDED



Measure straight across from edge to edge at bottom of armhole with Fullness/Elastic extended.
EXTRA FULLNESS AT CHEST: Fold garment in half at bottom armhole to spread out all pleats & gathers. Measure along fold line.

HOW TO MEASURE GUIDE FOR PRIVATE & EXCLUSIVE BRAND APPAREL

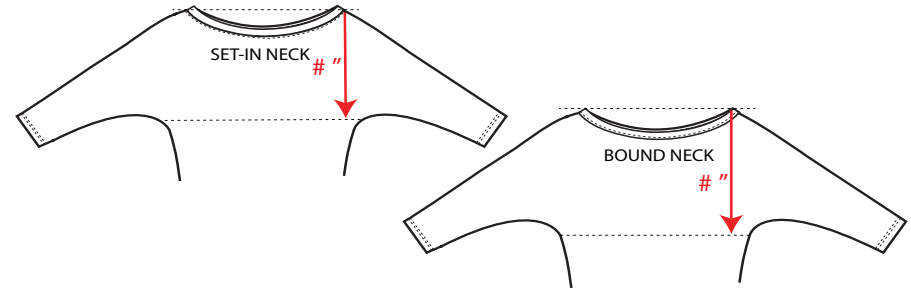
POM A264, A264H, A264 SW (Sweater) CHEST DOLMAN WIDTH



Lay garment flat with front facing you. Measure straight across garment from edge to edge at chest from specified Placement below high point of shoulder.

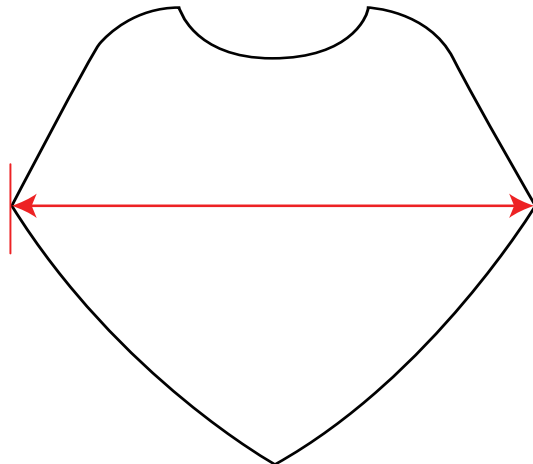
SHORT SLEEVE: Measure straight across garment from edge to edge at bottom of sleeve openings

POM A264X, A264X SW (Sweater) CHEST DOLMAN #\" PLACEMENT FROM HIGH POINT OF SHOULDER



Measure straight from high point of shoulder to determine placement of chest

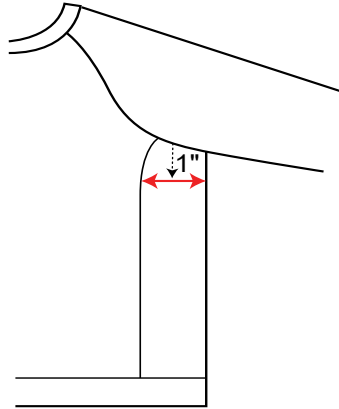
POM A266, A266H PONCHO WIDTH AT WIDEST EDGE



Measure straight across from edge to edge at widest point

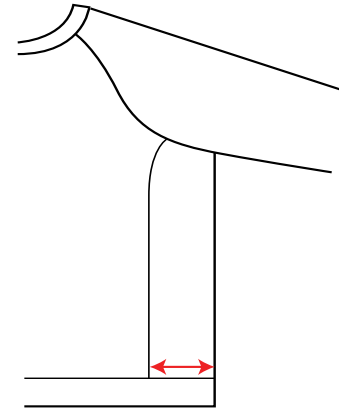
HOW TO MEASURE GUIDE FOR PRIVATE & EXCLUSIVE BRAND APPAREL

POM A268
PANEL WIDTH TO SIDESEAM AT UNDERARM



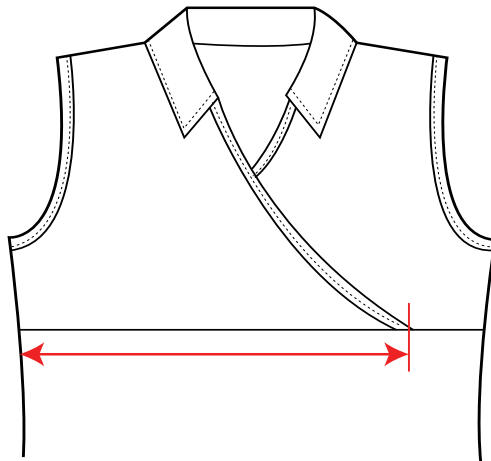
Measure straight from panel or princess seam to side seam 1" below underarm seam

POM A268A
PANEL WIDTH TO SIDESEAM AT SWEEP



Measure straight from panel or princess seam to side seam at sweep or band seam

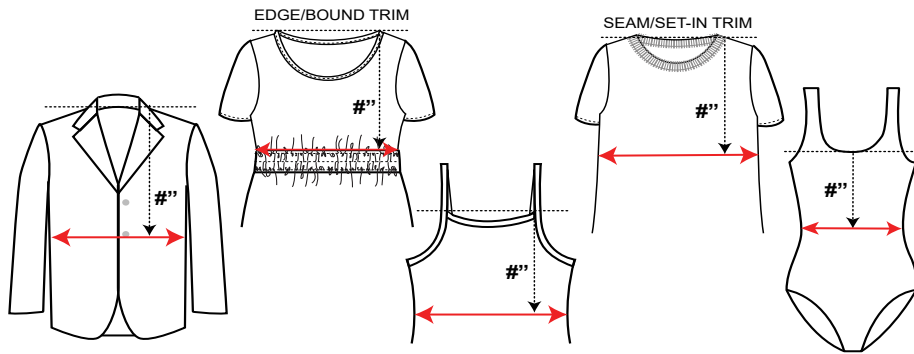
POM A268B
FRONT PANEL WIDTH AT SEAM



Measure along seam from side seam to front edge of panel

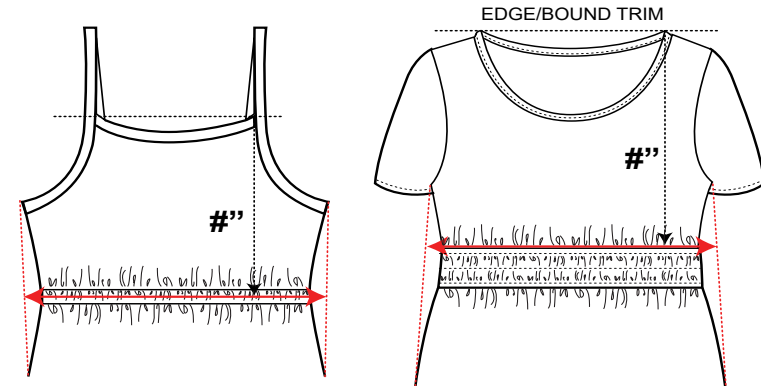
HOW TO MEASURE GUIDE FOR PRIVATE & EXCLUSIVE BRAND APPAREL

POM A270, A270H, A270H SW (Sweater) WAIST RELAXED - TOPS



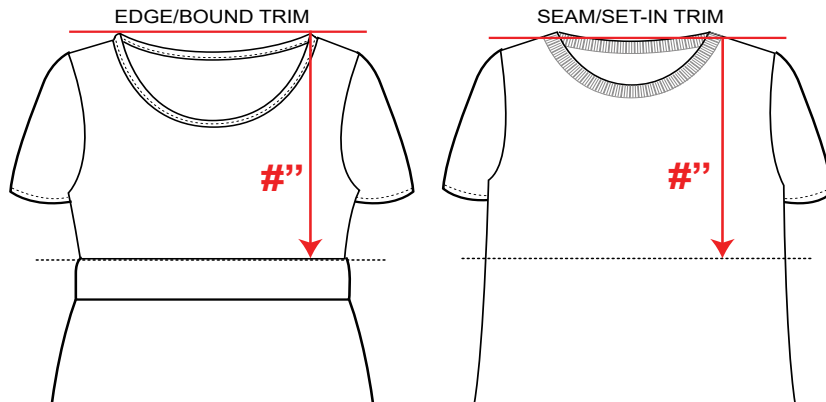
Measure straight from edge to edge at specified distance from High Point Shoulder, Peak, or Center Front Neck

POM A271, A271H WAIST EXTENDED - TOPS



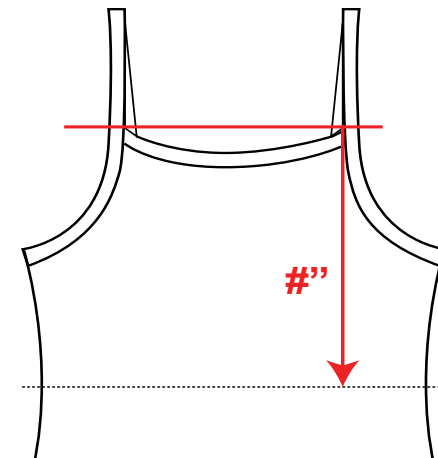
Extend fullness at seam or stitchline
Measure straight from edge to edge at specified distance from High Point Shoulder, Peak, or Center Front Neck

POM A272HPS WAIST PLACEMENT FROM HIGH POINT SHOULDER - TOPS



Measure straight from High Point Shoulder to determine placement of waist

POM A272PK WAIST PLACEMENT FROM PEAK - TOPS

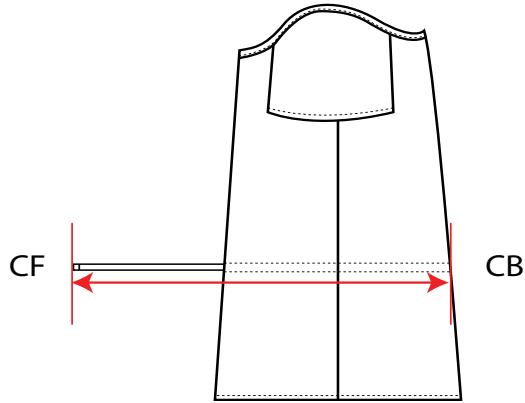


Measure straight from peak to determine placement of waist

HOW TO MEASURE GUIDE

FOR PRIVATE & EXCLUSIVE BRAND APPAREL

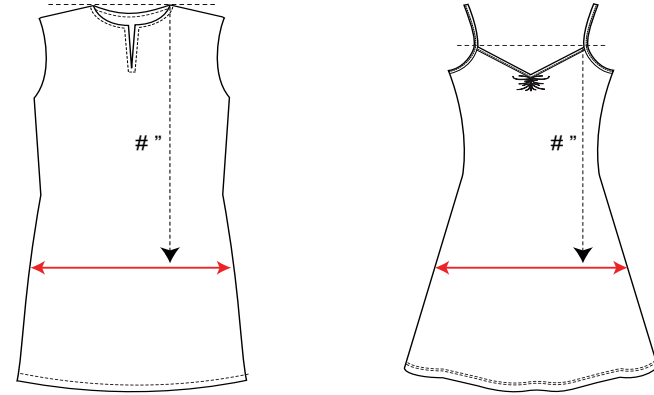
POM A273
WAIST DRAWCORD LENGTH - FULL CIRCUMFERENCE



Pull drawcord flat

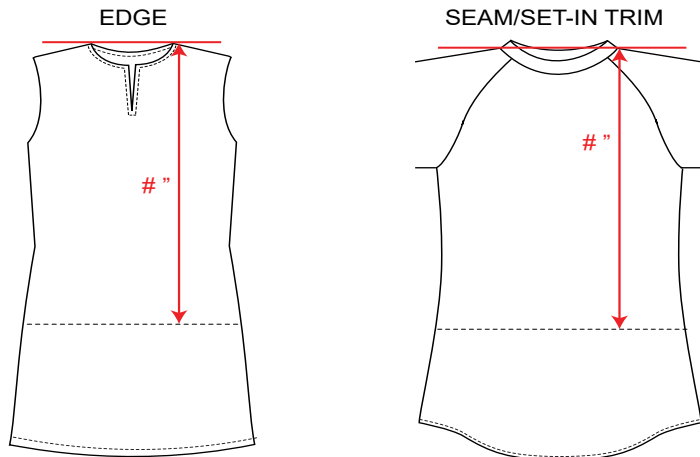
Measure from center back of garment to ends of drawcord including tip or knots - Double measurement.

POM A283, 283H
HIP - TOPS



Measure straight from edge to edge as specified # from High Point Shoulder or Peak

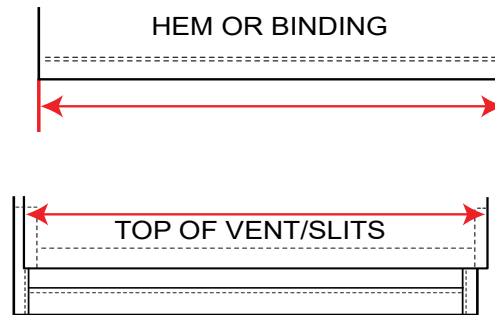
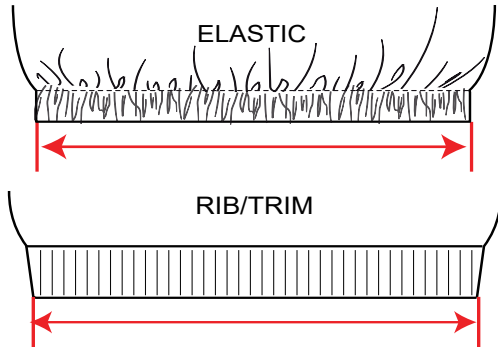
POM A284
HPS HIP PLACEMENT FROM HIGH POINT SHOULDER



Measure straight from High Point of Shoulder to determine placement of hip

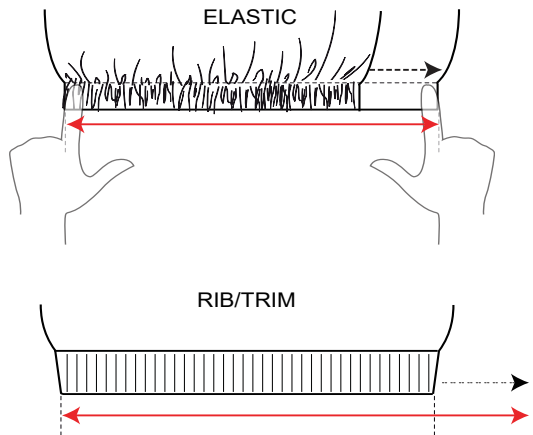
HOW TO MEASURE GUIDE FOR PRIVATE & EXCLUSIVE BRAND APPAREL

**POM A290, 290H, 290H SW (Sweater) CPSC (Sleep)
SWEEP RELAXED AT HEM OR TOP OF SLIT**



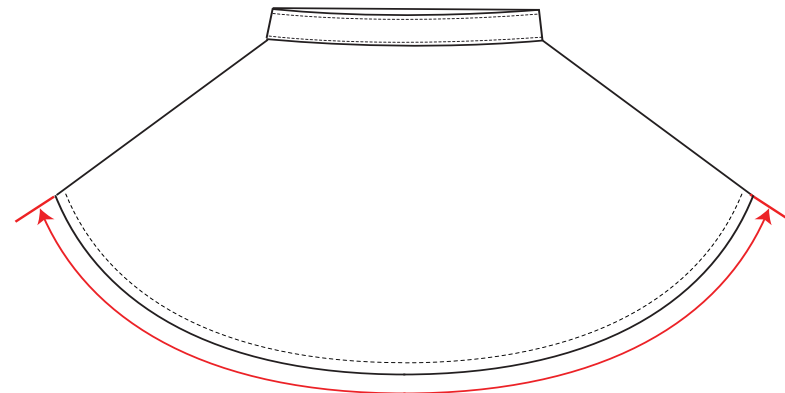
Lay garment flat with front facing you
Measure straight across from edge to edge at bottom opening
GARMENT W/SLITS/SIDE VENTS: Measure at top of slit or vent

**POM A291, POM 291H
SWEEP EXTENDED**



Lay garment flat with front facing you
Measure straight from edge to edge at Seam or Opening, fully extended

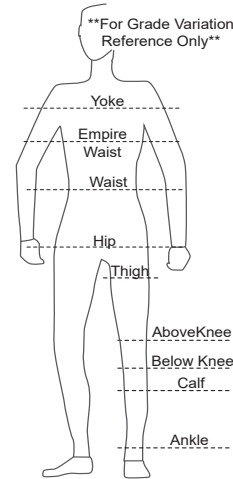
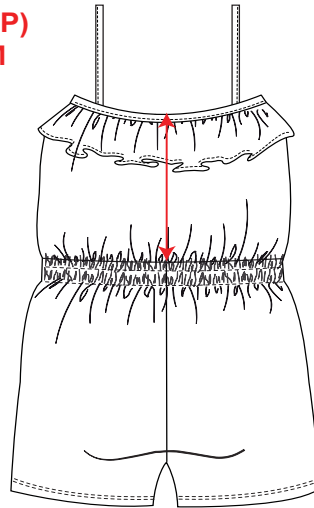
**POM A292, POM 292H
SWEEP ALONG CURVE**



Measure along curve from edge to edge at bottom opening with measuring tape standing on edge.

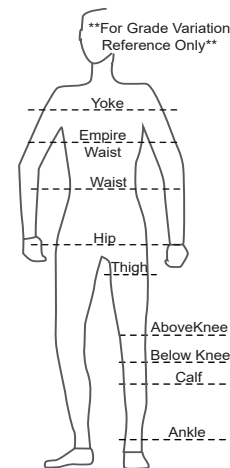
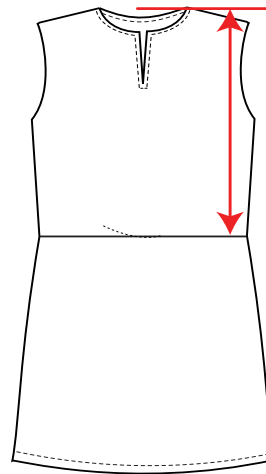
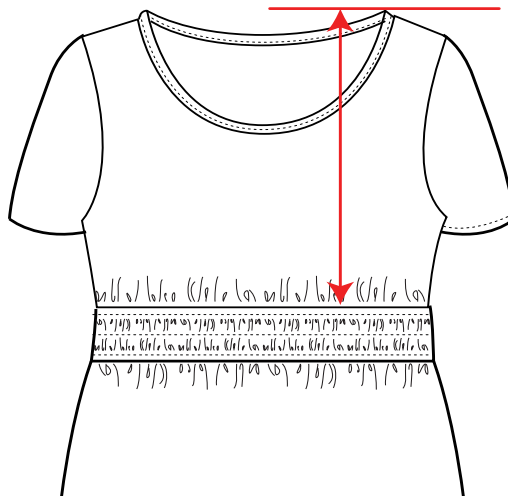
HOW TO MEASURE GUIDE FOR PRIVATE & EXCLUSIVE BRAND APPAREL

**POM A298, A298-03W (WAIST) - 04HH (HIP)
LENGTH CENTER BACK NECK TO SEAM**



Lay garment with back facing you
Measure straight from center back neck edge or seam to seam location indicated

**POM A299, A299-01C (Yoke) - 02AW (Empire Waist) - 03W (Waist) - 04HH (Hip)
HIGH POINT SHOULDER TO FRONT OR BACK SEAM**

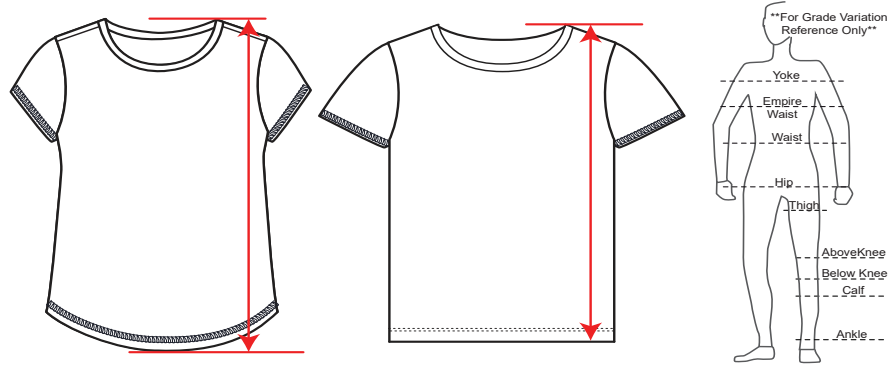


Measure straight from High Point Shoulder to seam or stitchline

HOW TO MEASURE GUIDE

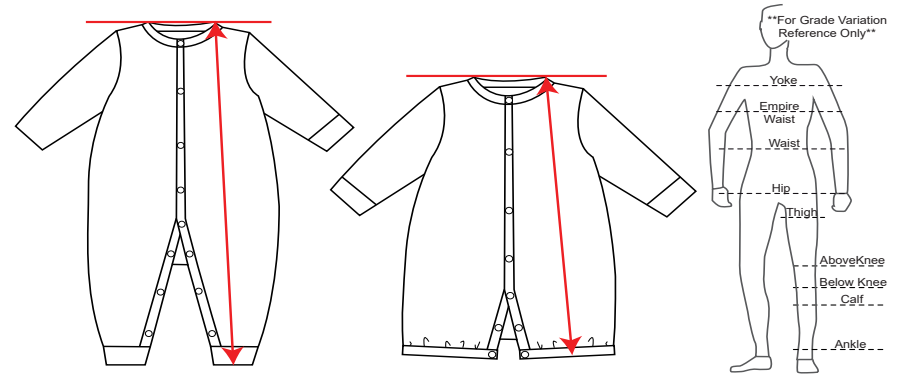
FOR PRIVATE & EXCLUSIVE BRAND APPAREL

POM A300, A300 SW (Sweater) - 02AW (Empire Waist) -03W (Waist) - 05LH (Hip) - 06MT (Thigh) - 07AK (Above Knee) - 10MC (Calf) - 11A (Ankle) LENGTH HIGH POINT SHOULDER TO HEM



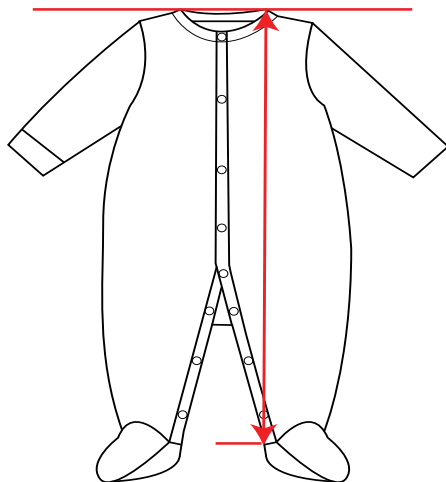
Lay garment flat with front facing you
 Measure straight from High Point Shoulder to hem
 DROP TAIL GARMENTS: Length is measured to front edge
 SHIRT TAIL GARMENTS: Shirt tail length is measured to longest point

POM A301 - A301-06MT (Mid Thigh) - 08K (Knee) - 11A (Ankle) LENGTH HIGH POINT SHOULDER TO LEG OPENING



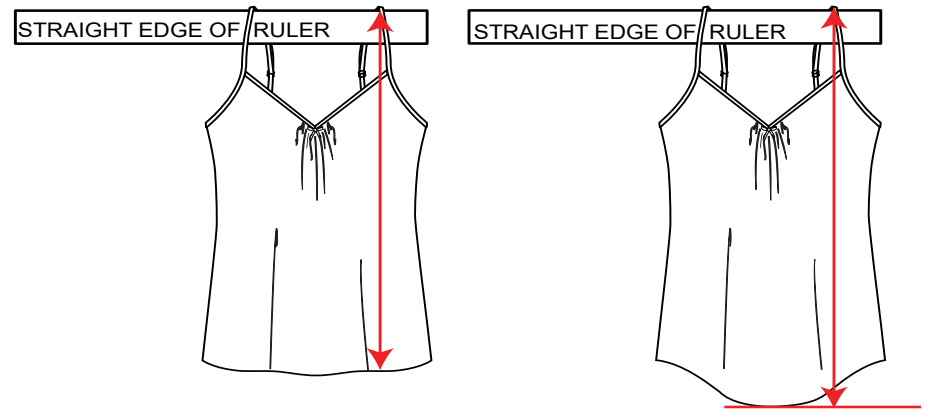
Lay garment flat
 Measure straight from High Point Shoulder to middle of leg opening edge

POM A302
LENGTH HIGH POINT SHOULDER TO FOOT SEAM



Measure straight from High Point Shoulder to Foot Sole Seam

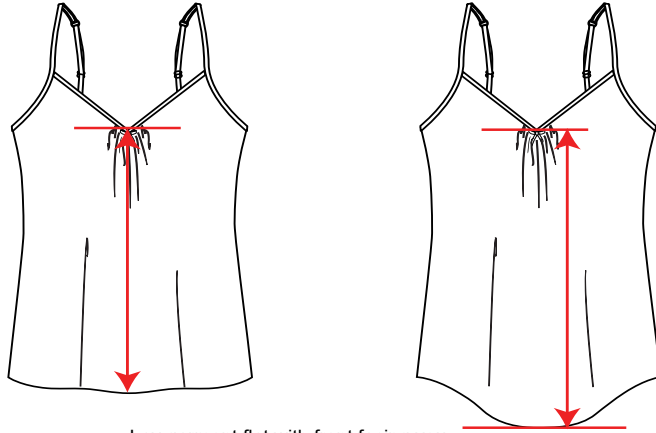
POM A303
LENGTH HIGH POINT SHOULDER FROM STRAP TO HEM DEVELOPMENT ONLY



Lay garment flat with front facing you
 Place straight edge or ruler between straps so straps lay straight and smooth
 Measure straight from HPS (Strap edge at ruler) to hem
 SHIRT TAIL GARMENTS: Shirt tail length is measured to longest point.

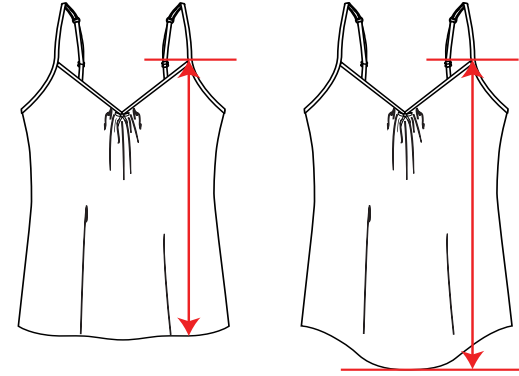
HOW TO MEASURE GUIDE FOR PRIVATE & EXCLUSIVE BRAND APPAREL

POM A304
LENGTH CENTER FRONT TO HEM - TANK OR CAMI

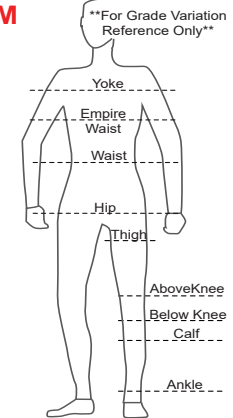


Lay garment flat with front facing you
Measure straight from edge to edge at Center Front

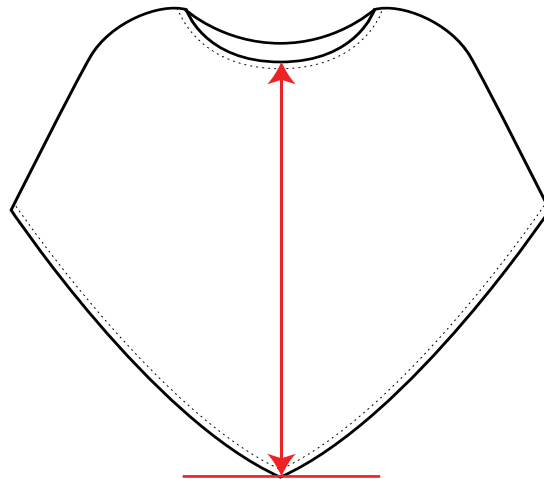
POM A305, A305-05LH (Hip) - 06MT (Thigh) - 08AK (Above Knee)
-09BK (Below Knee) - 10MC (Calf) - 11A (Ankle)
LENGTH PEAK TO HEM



Measure straight from top of peak to hem edge

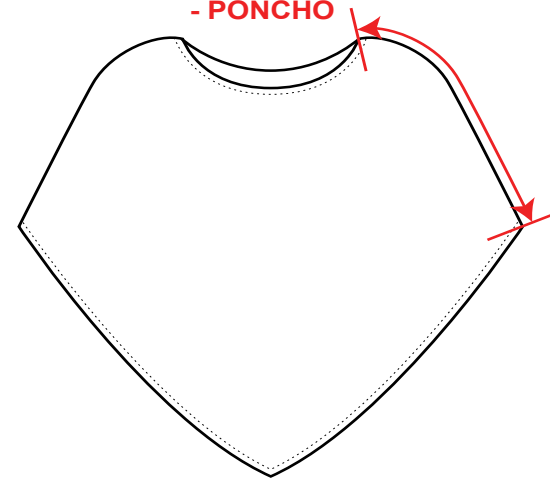


POM A306
LENGTH CENTER FRONT NECK TO DEEPEST POINT - PONCHO



Measure straight from top edge of Center Front to hem edge

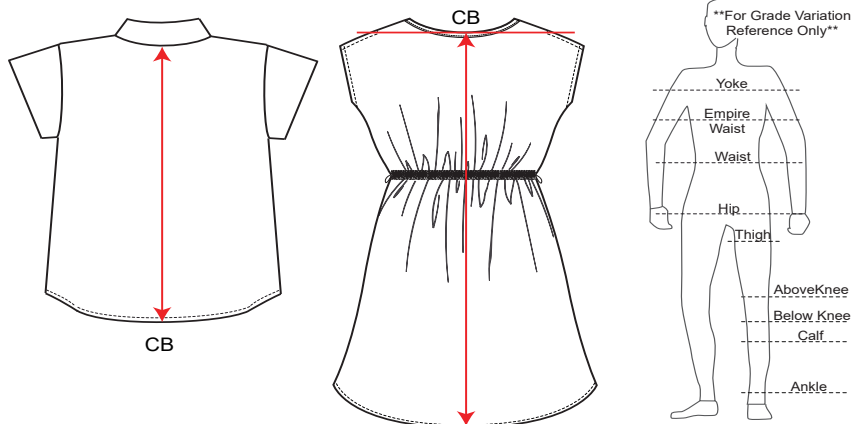
POM A307
LENGTH SHOULDER HIGH POINT OF SHOULDER TO HEM - PONCHO



Lay garment flat with front facing you
Measure along edge of sleeve from high point shoulder at neck to sleeve edge

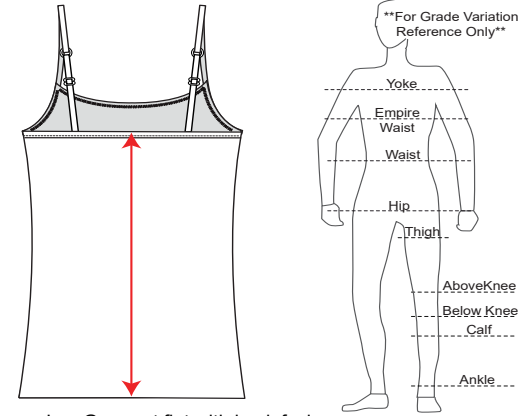
HOW TO MEASURE GUIDE FOR PRIVATE & EXCLUSIVE BRAND APPAREL

**POM A310, POM 310-06MT (THIGH) - 07AK (ABOVE KNEE) - 09BK (BELOW KNEE) - 10MC (CALF) - 11A (ANKLE)
LENGTH FROM CENTER BACK NECK TO HEM**



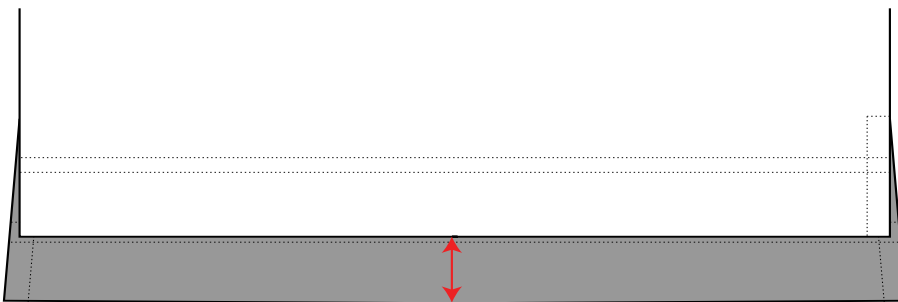
Lay Garment flat with back facing you
Measure straight from Edge to Edge at Center Back

POM A315, POM 315-03W (WAIST) - 05LH (HIP) - 06MT(THIGH) - 07AK (ABOVE KNEE) - 09BK (BELOW KNEE) - 10MC (CALF) - 11A (ANKLE) LENGTH FROM CENTER BACK AT TOP EDGE TO HEM



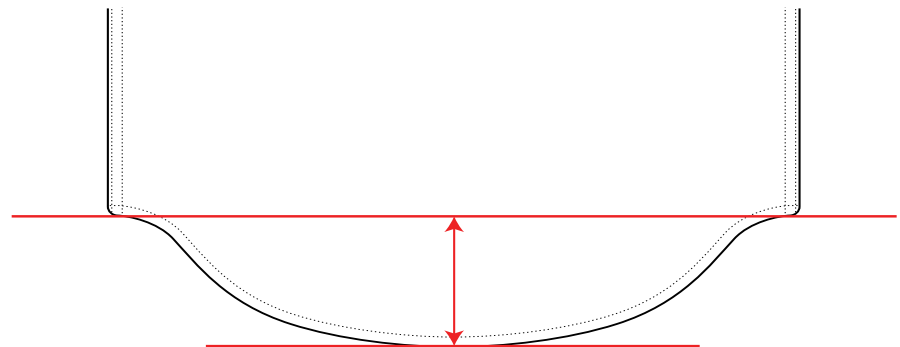
Lay Garment flat with back facing you
Measure straight from Top Edge to Hem Edge at Center Back

**POM A316
FRONT TO BACK LENGTH DIFFERENCE**



Measure the distance between front and back edge at center

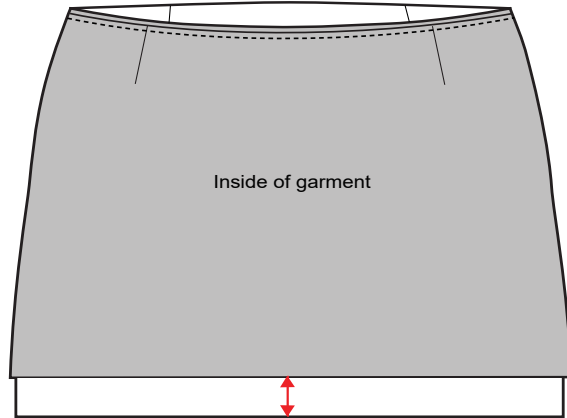
**POM A317
SHIRT TAIL HEIGHT**



Measure straight from edge at side seam to horizontal imaginary line at lowest point

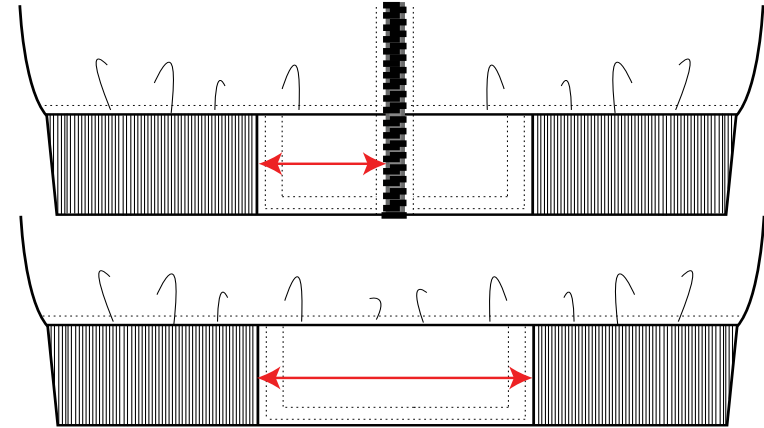
HOW TO MEASURE GUIDE FOR PRIVATE & EXCLUSIVE BRAND APPAREL

**POM A318
SHELL TO LINING DIFFERENCE**



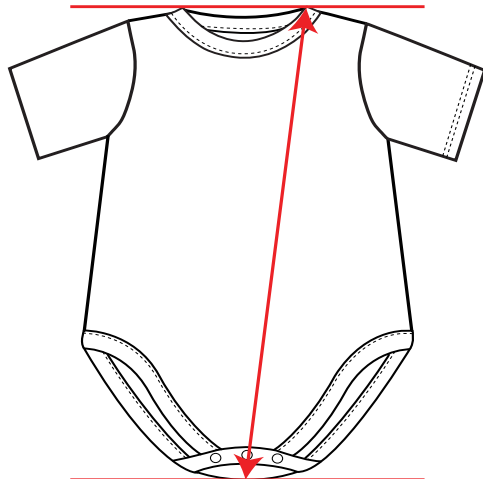
Turn garment inside out
Measure the distance between fold of hem on lining and fold of hem on outer shell

**POM A319 - A319 2P
WAISTBAND PIECING WIDTH**



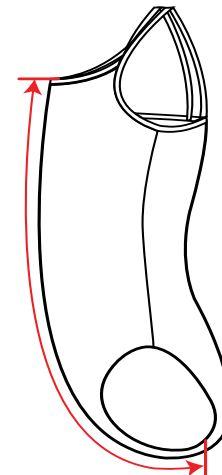
Measure straight from edge to edge of piecing

**POM A320
VERTICAL TRUNK LENGTH**



Measure from High Point Shoulder to natural fold at Center Front Crotch

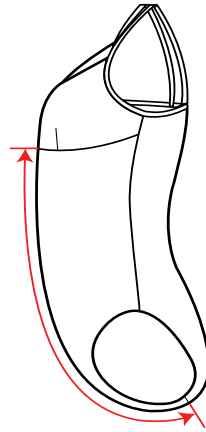
**POM A322
LENGTH CENTER FRONT NECK TO CROTCH-SWIM**



Fold garment in half, align sides seams
Curve center front foldline as needed to smooth out fullness
Measure along curve from center front neck edge to back crotch seam

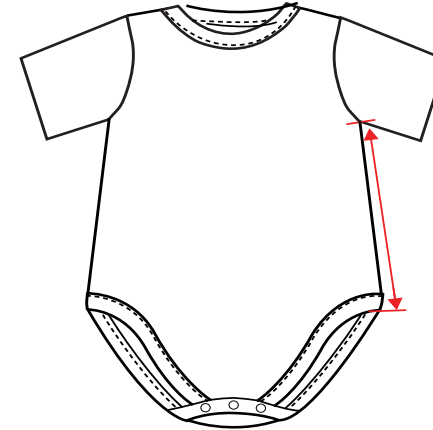
HOW TO MEASURE GUIDE FOR PRIVATE & EXCLUSIVE BRAND APPAREL

**POM A323
LENGTH CENTER FRONT CHEST SEAM TO CROTCH - SWIM**



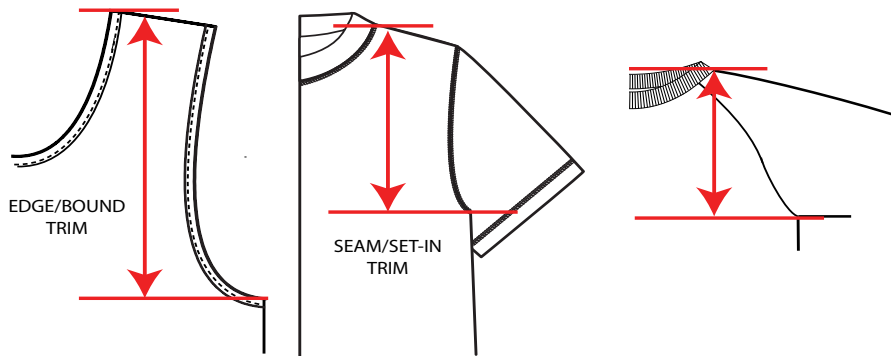
Fold garment in half, align sideseams
Curve Center Front foldline as needed to smooth out fullness
Measure along curve from Center Front chest seam to back crotch seam

**POM A325
SIDE SEAM LENGTH**



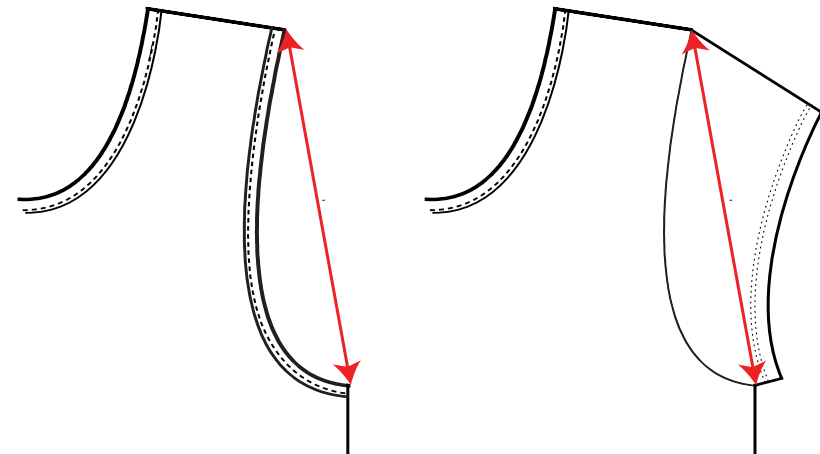
Measure along side seam from underarm edge or seam to bottom opening edge

**POM A330
ARMHOLE DROP FROM HIGH POINT SHOULDER**



Measure straight from High Point Shoulder to imaginary line at underarm point at armhole edge of seam

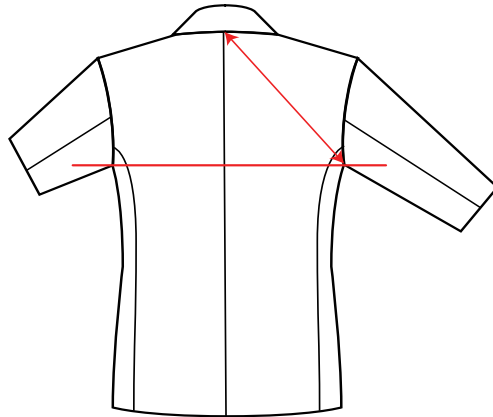
**POM A331 - A331 SW (Sweater)
ARMHOLE STRAIGHT FROM SHOULDER POINT**



Measure straight from shoulder point to underarm point at armhole edge or seam

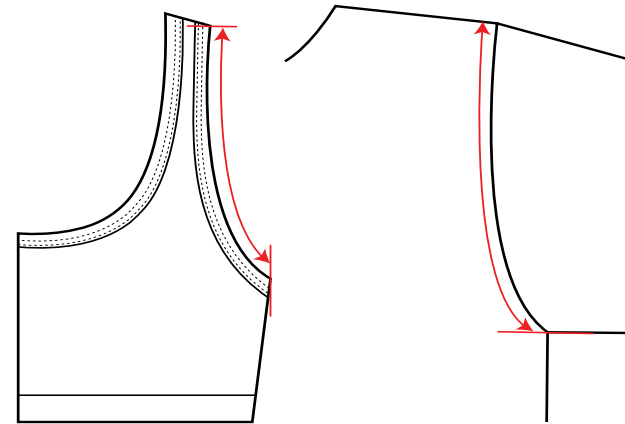
HOW TO MEASURE GUIDE FOR PRIVATE & EXCLUSIVE BRAND APPAREL

POM A332 ARMHOLE DROP FROM CENTER BACK NECK



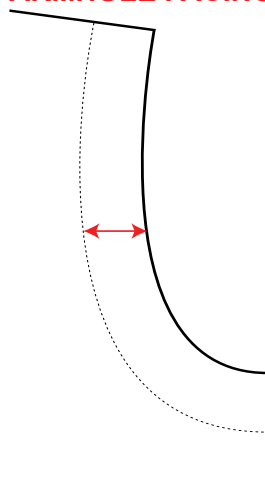
Measure straight from center back neck to underarm seam

POM A333, POM A333H ARMHOLE ALONG CURVE



Lay garment flat with front facing you
Align front and back armhole. Measure from underarm to
shoulder point following the curve of the armhole, tape measure is to be used on it's side, NOT FLAT

POM A335 ARMHOLE FACING

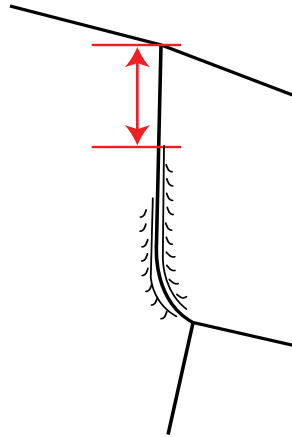


Measure straight from facing edge to armhole seam

HOW TO MEASURE GUIDE

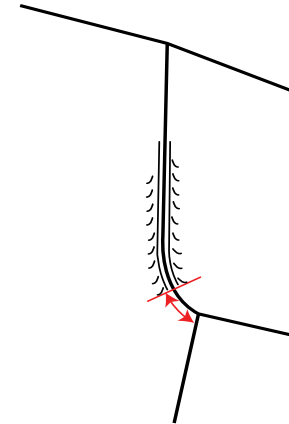
FOR PRIVATE & EXCLUSIVE BRAND APPAREL

POM A336A
FULL FASHION FROM SHOULDER-DEVELOPMENT ONLY



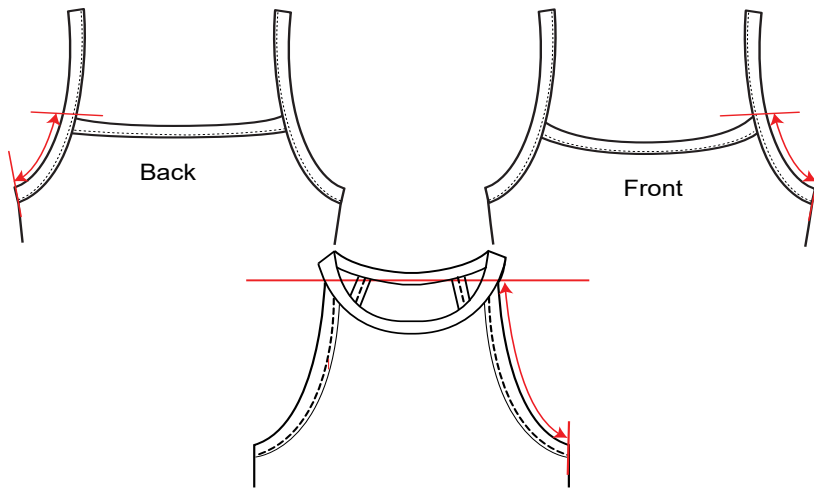
Measure along armhole, from shoulder point to beginning of full fashion marks

POM A336B
FULL FASHION FROM UNDERARM-DEVELOPMENT ONLY



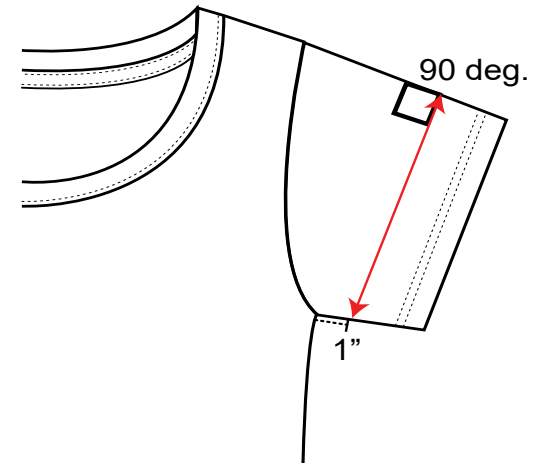
Measure from fold at underarm point to beginning of full fashion marks

POM A337
FRONT BACK ARMHOLE CURVE - CAMI



Measure from front or back peak where straps join body to side seam following contour of armhole edge
 Tape measure is to be used on it's edge, NOT FLAT

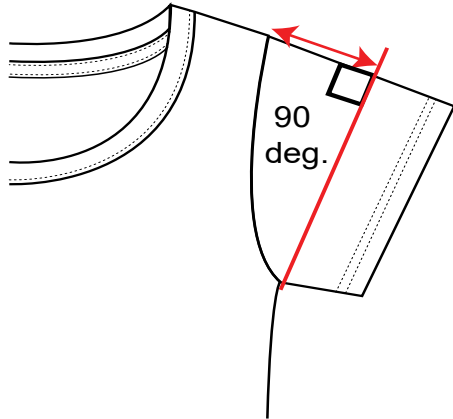
POM A340, A340 OW, A340H, A340H CPSC, A340H MENS,
A340H OW, A340H SW
UPPER ARM OR MUSCLE 1" BELOW ARMHOLE



Measure perpendicular to natural sleeve fold from edge to edge, 1" below underarm point

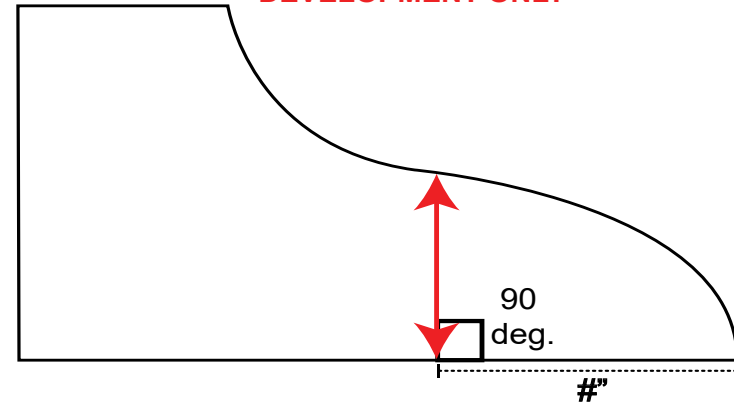
HOW TO MEASURE GUIDE FOR PRIVATE & EXCLUSIVE BRAND APPAREL

**POM A341
SLEEVE CAP HEIGHT - DEVELOPMENT ONLY**



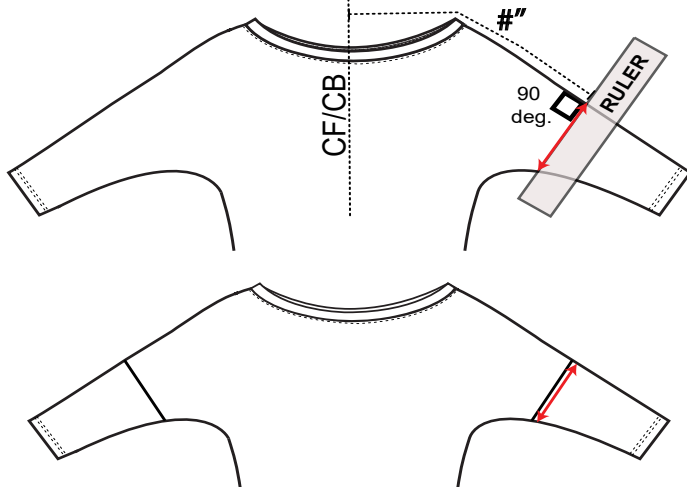
Measure from imaginary line to shoulder point
Imaginary line is taken from underarm point to sleeve folded edge, parallel to sleeve opening

**POM A341A
SLEEVE CAP WIDTH AT #” FROM SHOULDER PT-
DEVELOPMENT ONLY**



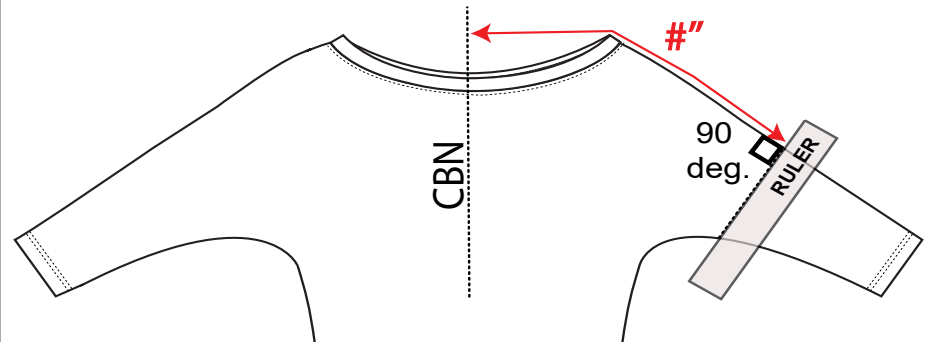
With front of sleeve facing you, align front and back armholes along seam on garment
Measure specified # down from shoulder point on sleeve cap and mark placement
Measure sleeve cap width at marked point from sleeve fold to sleeve armhole seam, perpendicular to sleeve fold

**POM A342
UPPERARM WIDTH**



Measure perpendicular to natural sleeve fold from edge to edge at specified placement.
SLEEVE SEAMED GARMENT: Upperarm measurement is taken at seam.

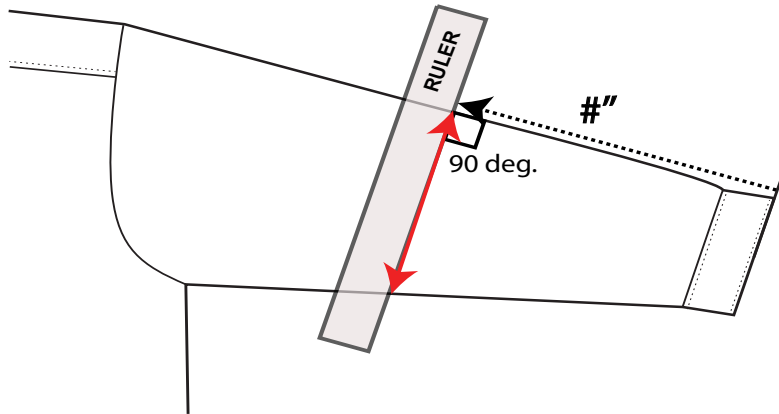
**POM A342X
UPPER ARM WIDTH PLACEMENT #” FROM CENTER BACK
NECK**



Measure 1/2 neck width or CBN, start at 1/2 neck width measurement at High Point Shoulder
along fold line specified distance to mark upperarm location

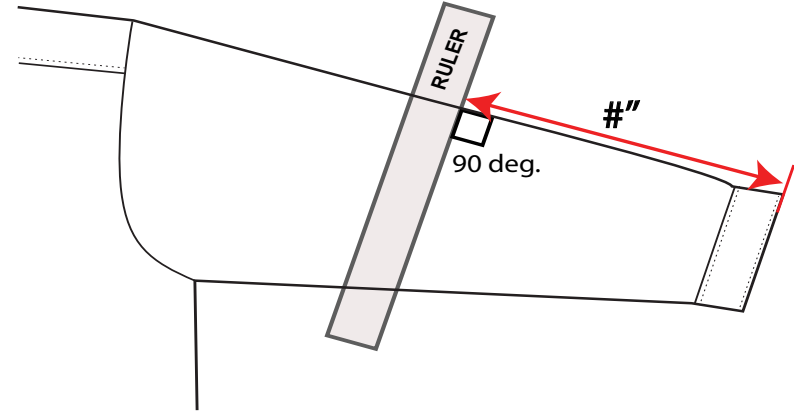
HOW TO MEASURE GUIDE FOR PRIVATE & EXCLUSIVE BRAND APPAREL

**POM A345 - POM A345H
SLEEVE ELBOW #” FROM SLEEVE OPENING**



Measure perpendicular to natural sleeve fold from edge to edge at specified distance from sleeve opening

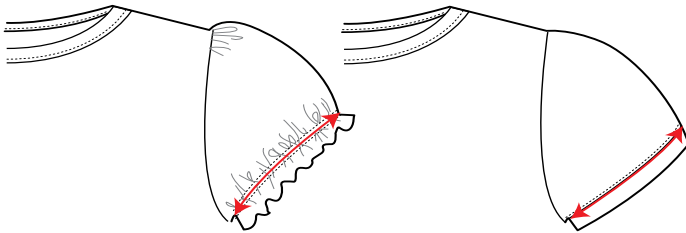
**POM A345X
SLEEVE ELBOW PLACEMENT FROM SLEEVE OPENING**



Measure specified distance from sleeve opening to determine elbow placement

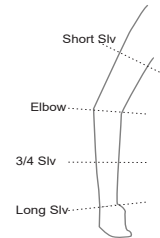
**POM A350-1B (Short Sleeve) - 2E (Elbow) - 3F (3/4 Sleeve)
- 4W (Long Sleeve) POM A350H-1B (Short Sleeve) - 3F (3/4 Sleeve)
- 4W (Long Sleeve) POM A350H-1SSW (Short Sleeve)
- 3FSW (3/4 Sleeve) - 4LSW (Long Sleeve) (Sweaters)
POM A350-4LCPSC (Long Sleeve CPSC Sleep)**

SLEEVE OPENING AT SEAM OR STITCHLINE RELAXED



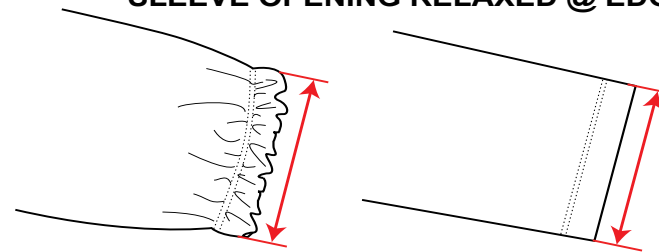
Measure straight from edge to edge along stitchline or seam

For Grade Variation Reference Only



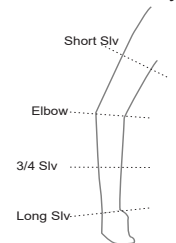
**POM A352 - POM A352-4LCPSC (Long Sleeve CPSC Sleep)
POM A352-1B (Short Sleeve) - 2E (Elbow) -
3F (3/4 Sleeve) - 4W (Long Sleeve)
POM A352H-1SSW (Short Sleeve) - 3FSW (3/4 Sleeve)
- 4LSW (Long Sleeve):**

SLEEVE OPENING RELAXED @ EDGE



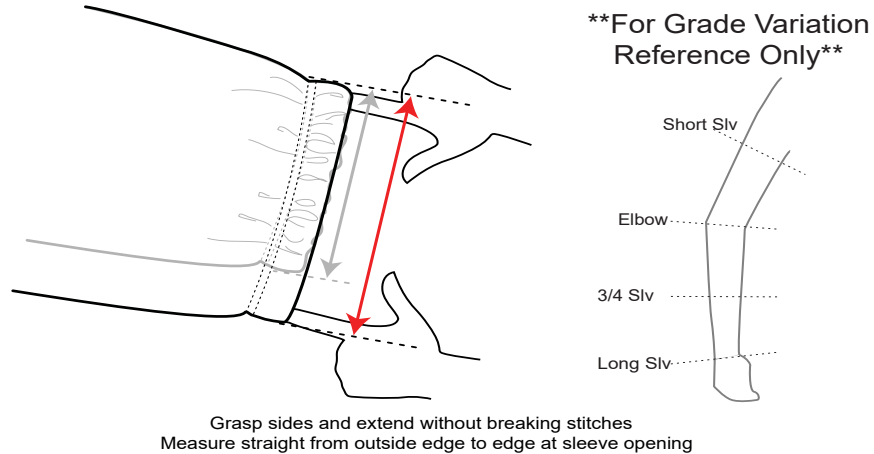
Measure straight from edge to edge at outer edge of sleeve opening

For Grade Variation Reference Only

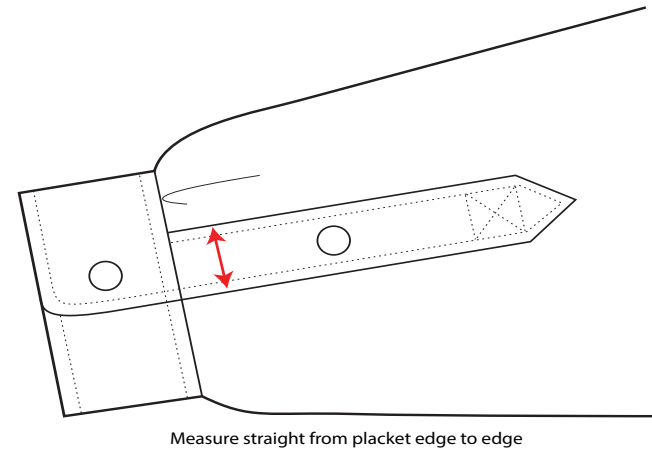


HOW TO MEASURE GUIDE FOR PRIVATE & EXCLUSIVE BRAND APPAREL

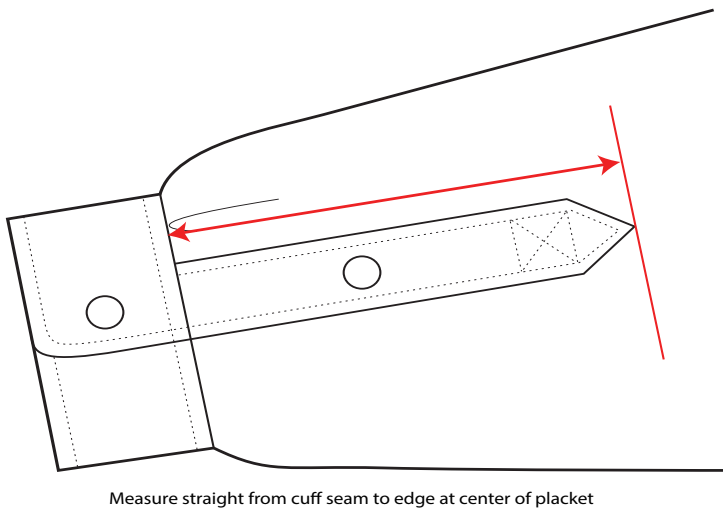
**POM A353A353-1B (Short Sleeve) - 2E (Elbow) - 3F (3/4 Sleeve)
- 4W (Long Sleeve)A535-4LCPSC (Long Sleeve CPSC Sleep)
SLEEVE OPENING EXTENDED**



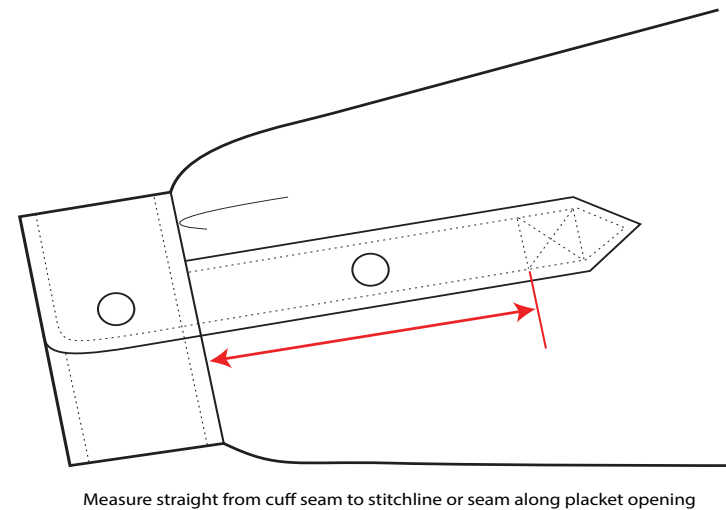
**POM A355
SLEEVE PLACKET WIDTH**



**POM A356
SLEEVE PLACKET LENGTH**

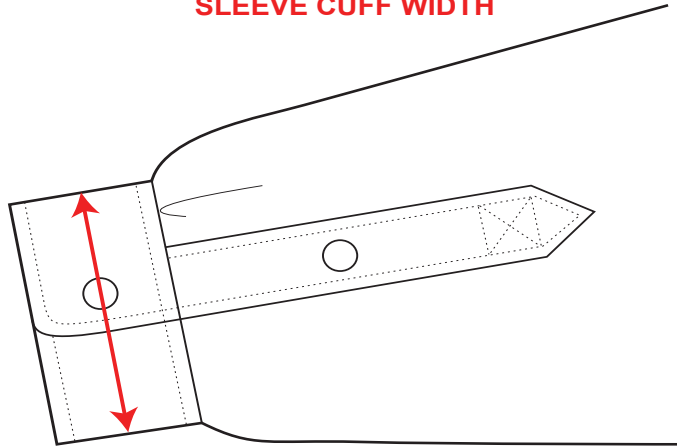


**POM A356A
SLEEVE PLACKET LENGTH - ACTUAL OPENING**



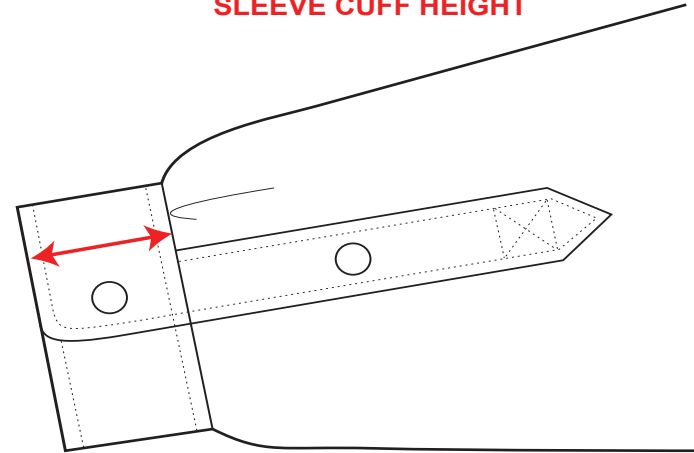
HOW TO MEASURE GUIDE FOR PRIVATE & EXCLUSIVE BRAND APPAREL

POM A357H SLEEVE CUFF WIDTH



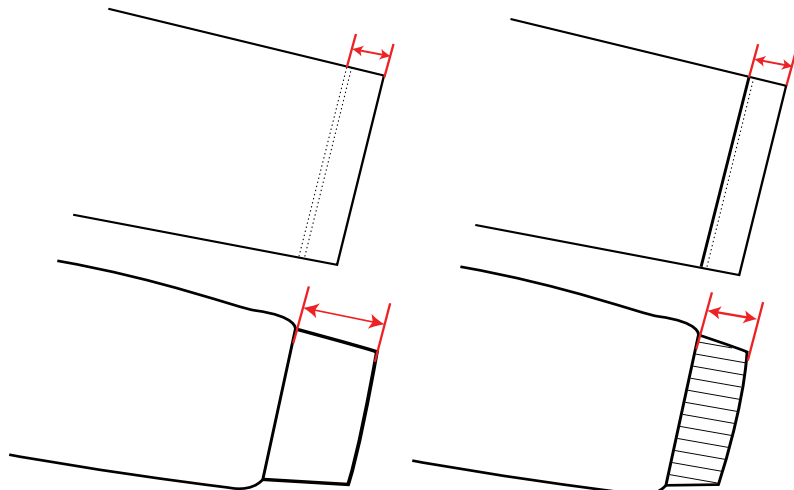
Measure with cuff closed, through the center of cuff from edge to edge

POM A358 SLEEVE CUFF HEIGHT



Measure from cuff seam to cuff opening edge

POM A359 SLEEVE HEM OR SLEEVE TRIM HEIGHT

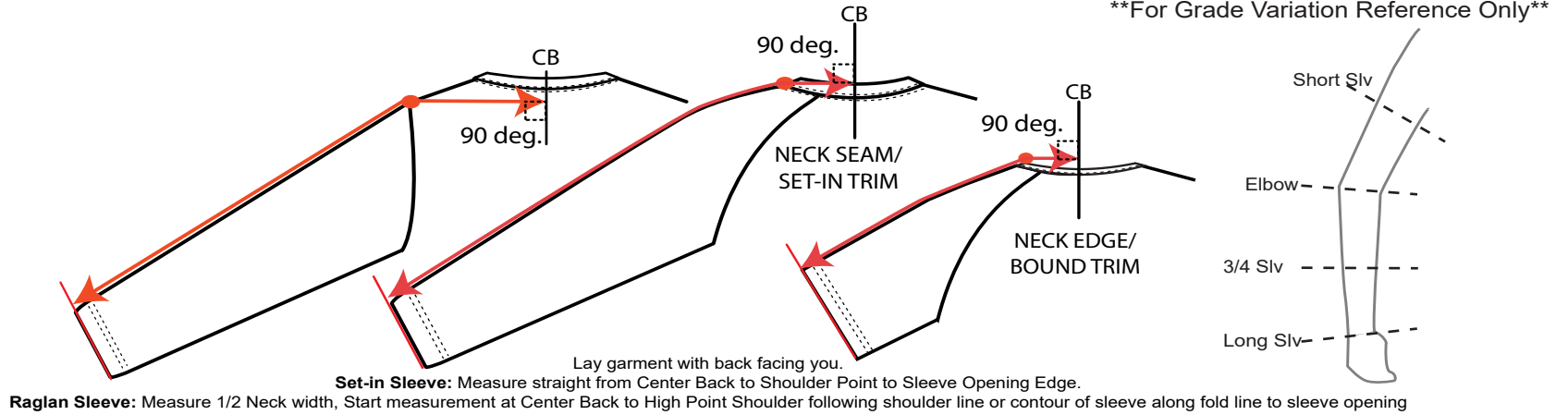


Measure straight from top stitchline or seam to sleeve opening

HOW TO MEASURE GUIDE FOR PRIVATE & EXCLUSIVE BRAND APPAREL

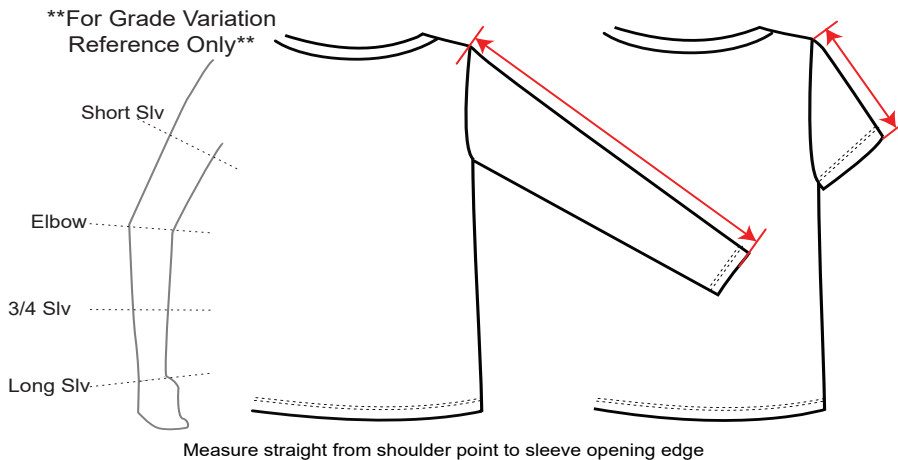
POM A360 - POM A360 NG (No Grade)
 POM A360-1B (Short Sleeve) - 2E (Elbow) - 3F (3/4 Sleeve) - 4W (Long Sleeve)
 POM A360-1SSW (Short Sleeve) - 3FSW (3/4 Sleeve) - 4LSW (Long Sleeve)
 POM A360-1TB (Tall - Short Sleeve) - 4TW (Tall - Long Sleeve)

SLEEVE LENGTH FROM CENTER BACK



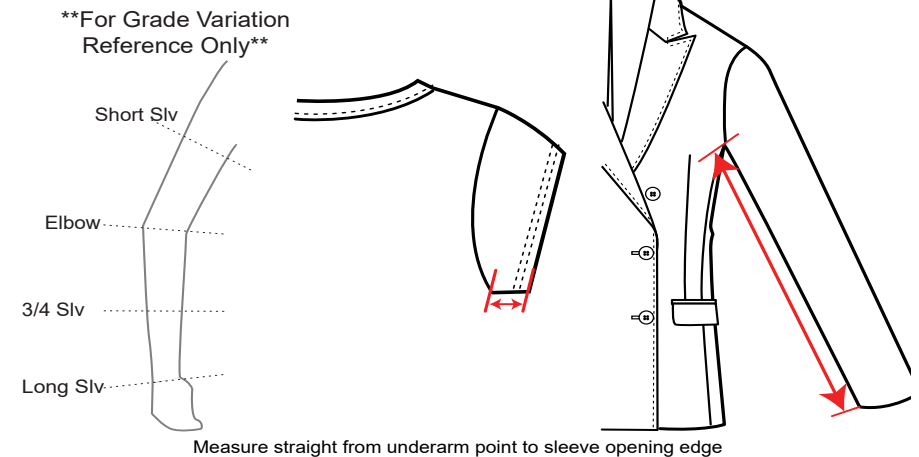
POM A362 - 1B (Short Sleeve) - 2E (Elbow) - 3F (3/4 Sleeve) - 4W (Long Sleeve)
 POM A362 - 1BSW (Short Sleeve) - 3FSW (3/4 Sleeve) - 4WSW (Long Sleeve)

SLEEVE LENGTH FROM SHOULDER POINT TO SLEEVE OPENING



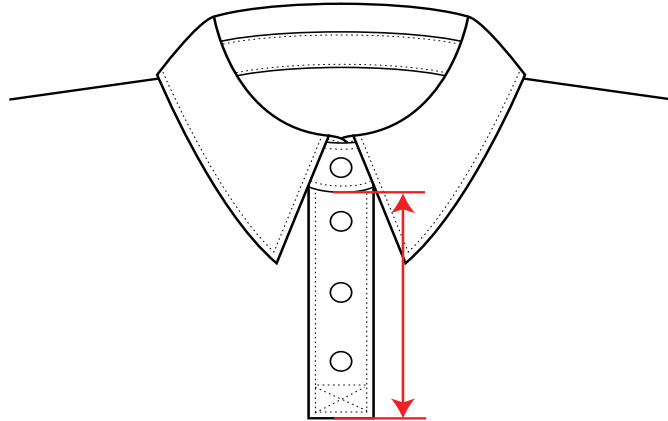
POM A363 - 1B (Short Sleeve)
 POM A363 - MLG (Men's Long) - MRG (Men's Regular) -
 POM A363 - MSG (Men's Short- MLXLG (Men's Extra Long)

UNDERARM SLEEVE LENGTH



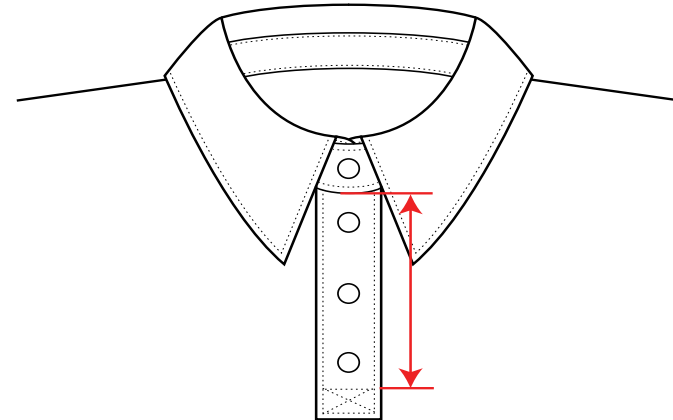
HOW TO MEASURE GUIDE FOR PRIVATE & EXCLUSIVE BRAND APPAREL

**POM A365 - A365NG (No Grade)
PLACKET LENGTH**



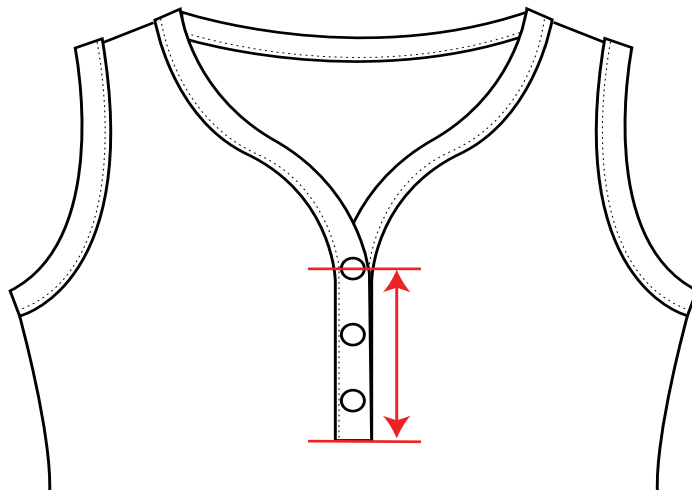
Measure straight from neck edge/seam to bottom seam at center of placket

**POM A366 - A366NG (No Grade)
PLACKET LENGTH - FUNCTIONAL OPENING**



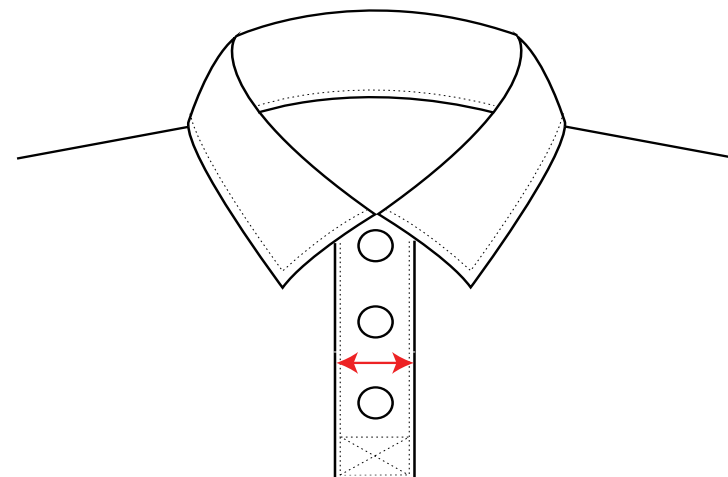
Measure straight from neck edge or seam to bottom seam at center of placket opening

**POM A367 - POM A367NG (NO GRADE)
PLACKET LENGTH TO TOP BUTTON**



Measure straight from center of top button to bottom edge of placket

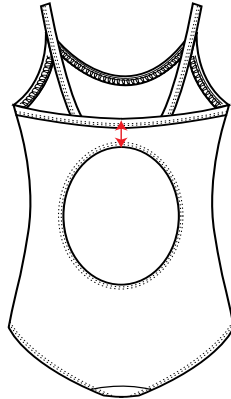
**POM A368
PLACKET WIDTH**



Measure straight from placket edge to edge

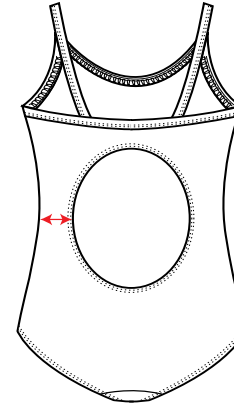
HOW TO MEASURE GUIDE FOR PRIVATE & EXCLUSIVE BRAND APPAREL

**POM A370S
BACK OPENING PLACEMENT
CENTER BACK NECK TO EDGE - SWIM**



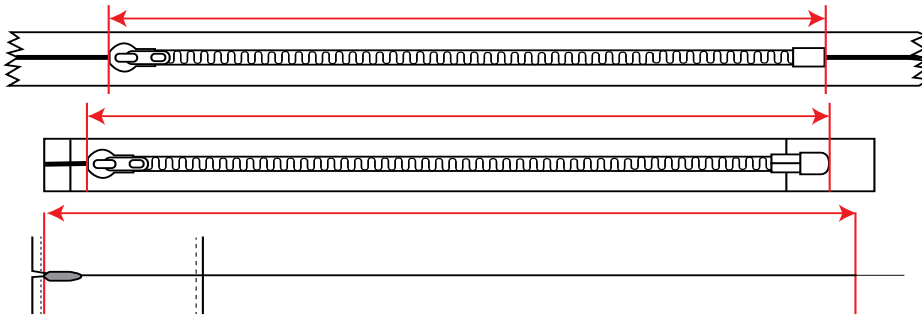
Lay garment with back facing you
Measure straight from center back neckline edge to edge of opening

**POM A372S
BACK OPENING PLACEMENT
FROM SIDESEAM AT WAIST - SWIM**



Lay garment with back facing you
Measure from edge of opening to side seam at narrowest part of waist

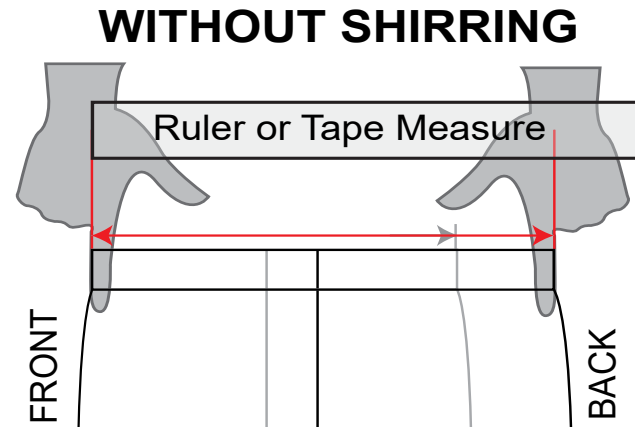
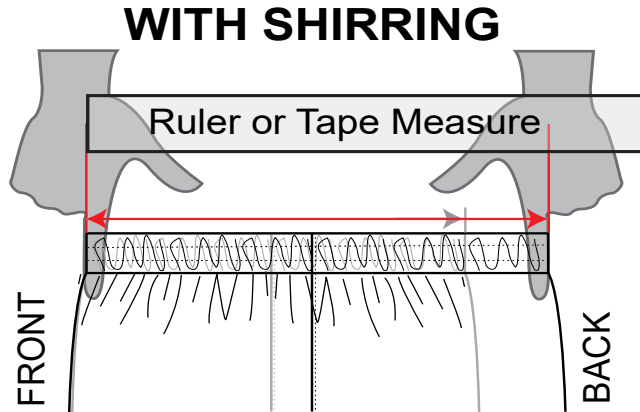
**POM A375, NG(NO GRADE), ZG(>18"), ZL(<18")
ZIPPER LENGTH**



Measure from outer edge to edge of zipper stops

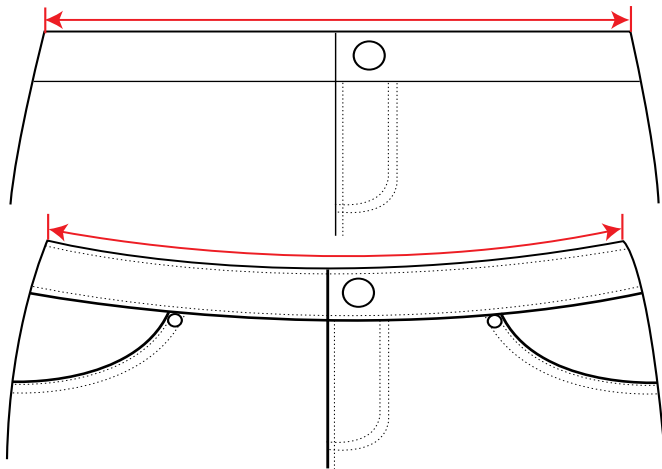
HOW TO MEASURE GUIDE FOR PRIVATE & EXCLUSIVE BRAND APPAREL

**POM A399H
MINIMUM WAIST STRETCH**



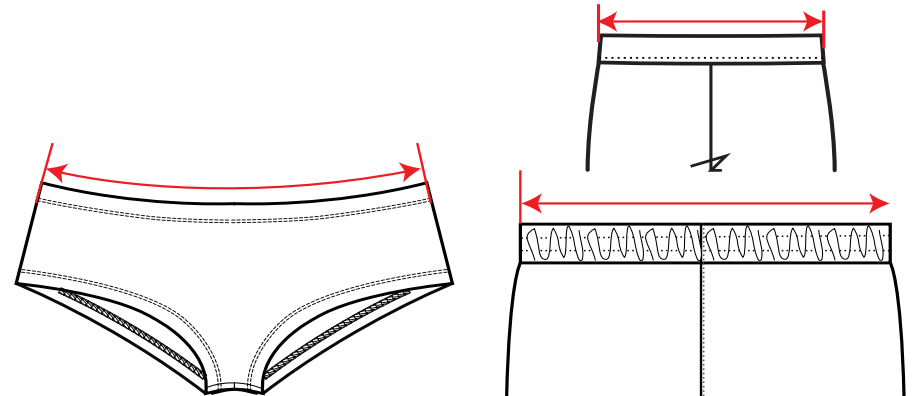
Align front and back waistband. Using your index fingers, extend waistband to maximum width without breaking stitches and measure from outside edge to outside edge
GARMENT WITH WAISTBAND CLOSURE: Measure with closure open

**POM A400RW
WAIST AT TOP EDGE - RIDGID WAIST**



Align front and back of waistband with closures fastened - i.e. zippers and buttons closed
 Measure straight from edge to edge along top of waistband

**POM A400 A400 NG (No Grade)-H (CPSC Sleep)
WAIST AT TOP EDGE - RELAXED**

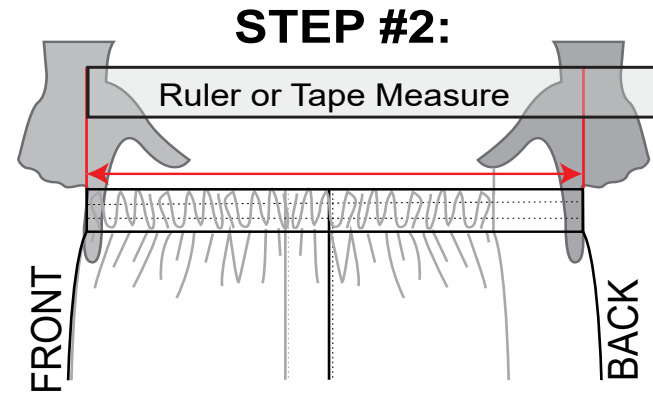
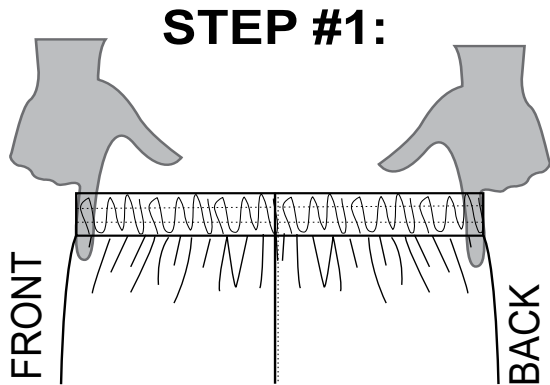


Align front and back waistband with closures fastened - i.e. zippers, buttons
 Smooth or Flatten out elastic without stretching the waist
 Measure along top of waist from outside edge to edge

Revised Date: 8/23/2024

HOW TO MEASURE GUIDE FOR PRIVATE & EXCLUSIVE BRAND APPAREL

POM A401, NG(NO GRADE), H CPSC(CPSC SLEEP)
WAIST AT TOP EDGE - EXTENDED

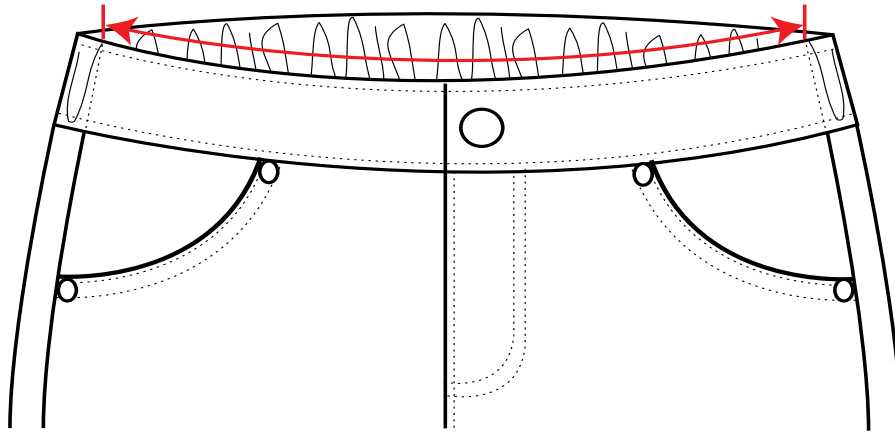


STEP #1: Align front and back waistband with closures fastened - i.e. zippers, buttons
STEP #2: Using your index fingers, extend waistband until shirring at waist
seam is flat without stretching the fabric beyond that point.
Measure along top of waistband from outside edge to outside edge

HOW TO MEASURE GUIDE

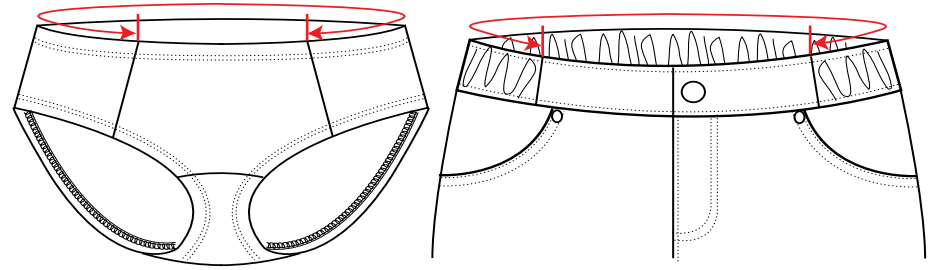
FOR PRIVATE & EXCLUSIVE BRAND APPAREL

POM A402FT
RIDGID FRONT WAIST AT TOP EDGE - FLAT



Measure along top edge from seam to seam of front waistband

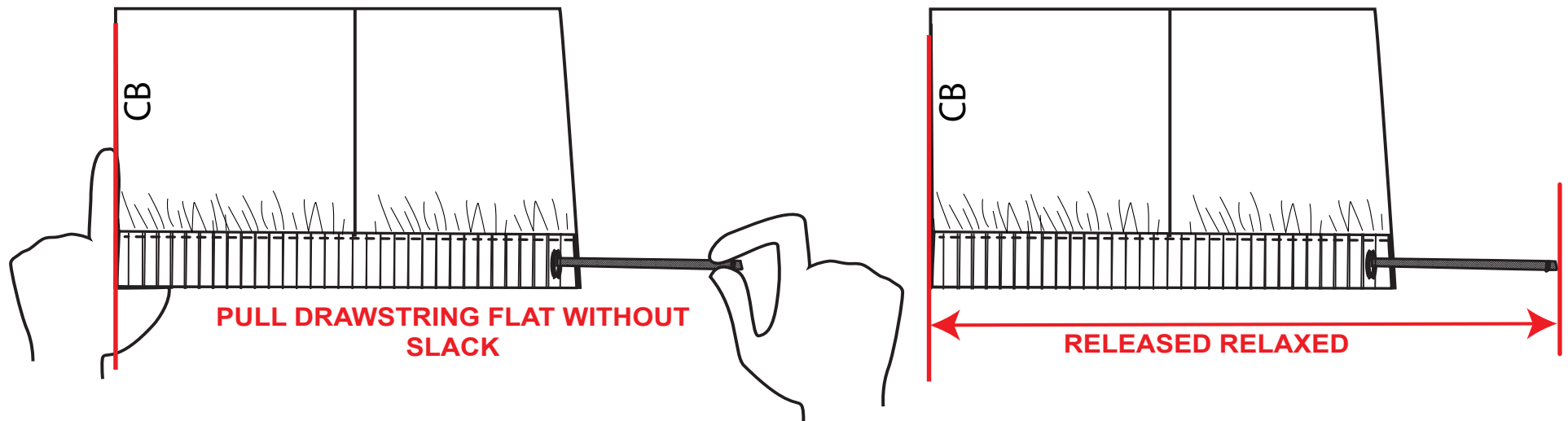
POM A402PN
BACK WAIST WITH FRONT PANEL - FLAT



Lay garment flat
Measure back waist along top edge from front panel seam to front panel seam

POM A403 ADULT

DRAWSTRING LENGTH - FULL CIRCUMFERENCE



For Woven Drawstring: Pull drawstring flat without slack
For Knits Drawstring: Pull drawstring flat without slack
Do not stretch drawstring

Measure from Center Back of garment to end of drawstring,
including tipping or knots. Double measurement.

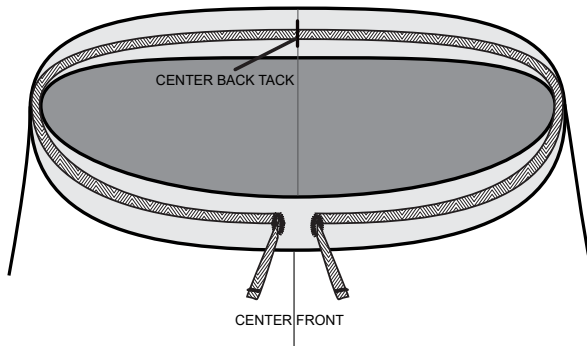
****Garments with internal drawstrings will need to be turned inside out.**

DRAWSTRING APPLICATIONS FOR POM A403 EXP CHILDRENS

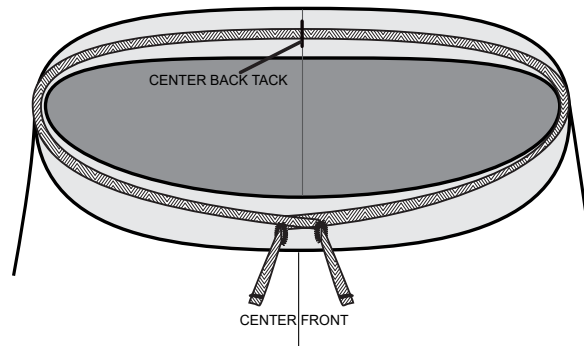
DRAWSTRING EXPOSED LENGTH CRITICAL/PRIMARY

FUNCTIONAL DRAWSTRING APPLICATION TYPES:

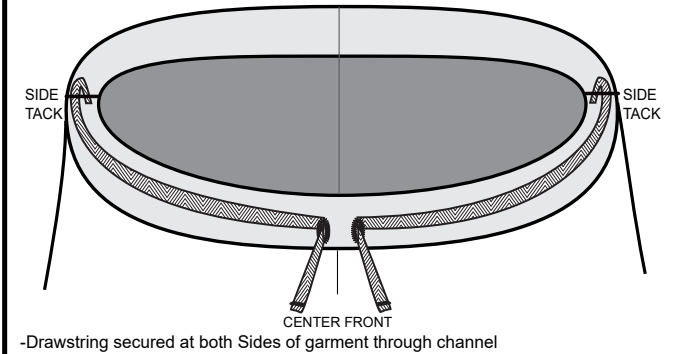
**FUNCTIONAL DRAWSTRING:
SEE HTM A403 EXP STEPS 1-3**



**FUNCTIONAL DRAWSTRING
W/CF CROSSING DRAWSTRINGS
HTM A403 EXP STEPS: 1-3**

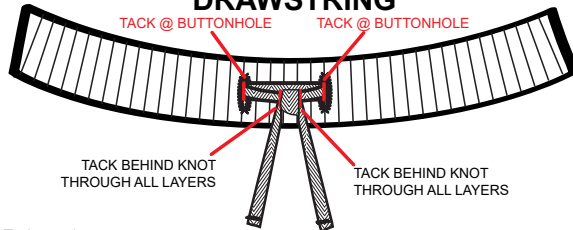


**PARTIAL FUNCTIONAL
DRAWSTRING:
SEE HTM A403 EXP STEPS 1-3**



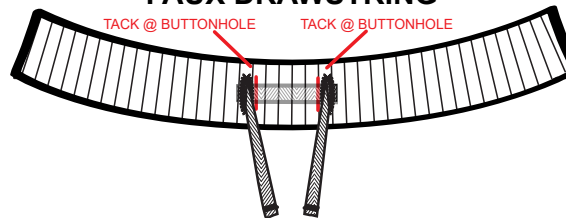
NON FUNCTIONAL/FAUX DRAWSTRING APPLICATION TYPES:

**FAUX DRAWSTRING
& KNOT: SEE HTM A403 EXP
NON FUNCTIONAL/FAUX
DRAWSTRING**

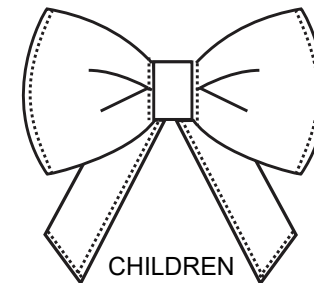


4 Tacks total:
(2) Tacks @ Buttonhole setting faux drawstring inside garment waistband through buttonhole
(2) Tacks set behind both sides of knot through all layers

**FAUX/NON FUNCTIONAL TACKED TIE:
SEE HTM A403 EXP NON FUNCTIONAL/
FAUX DRAWSTRING**



**BOW TAIL & KNOTTED LENGTH: SEE POM A544A
FAUX BOW LOOP LENGTH: SEE POM A544B**



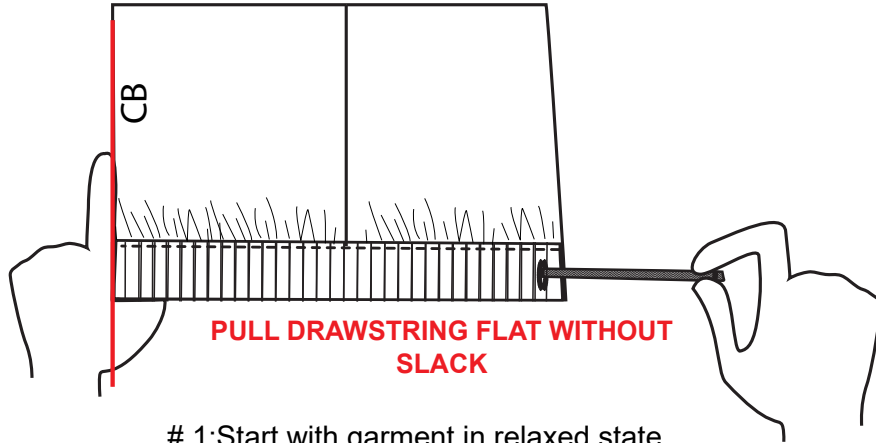
****Garments with internal drawstrings will need to be turned inside out.**

See Minimum Construction Standards & Kohl's Department Stores Product Safety & Regulatory Standards

Revised Date: 8/23/2024

MEASUREMENT STEPS: POM A403 EXP CHILDRENS DRAWSTRING EXPOSED LENGTH CRITICAL/PRIMARY

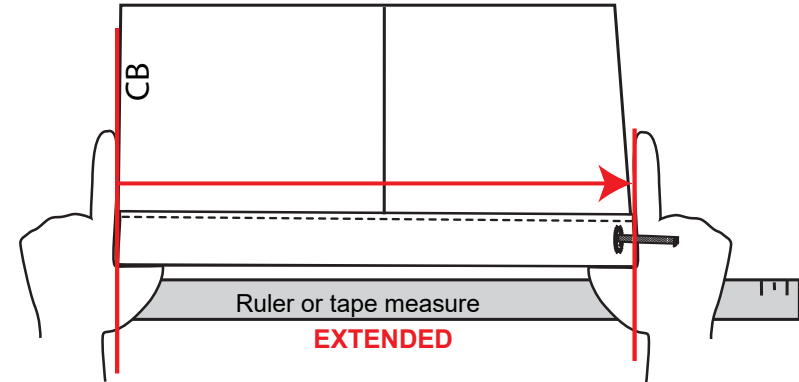
STEP #1:



PULL DRAWSTRING FLAT WITHOUT SLACK

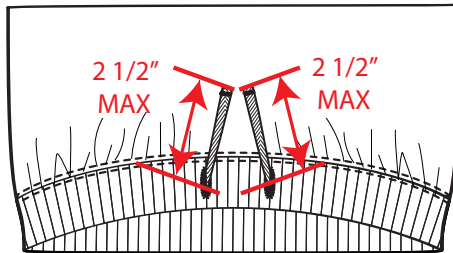
1: Start with garment in relaxed state.
Fold garment in half at Center Back.
Pull drawstring flat without slack.

STEP #2:



#2: Lay garment flat on smooth flat surface.
Hold CB in place with left hand Extend waistband with right hand until waistband is aligned with hip width relaxed measured by size (A412/A415) and not beyond.

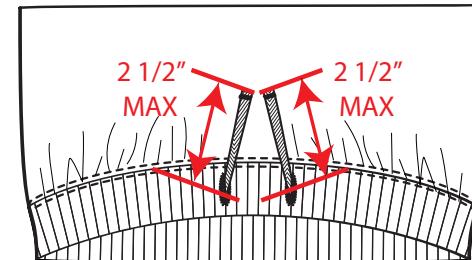
STEP #3:



RELEASED RELAXED

#3: Release waistband. Measure Both Ends of the Exposed Drawstring from Opening to End. **For Safety, Each Exposed Drawstring Length Must Not Exceed 2 1/2" including finished end.**

NON FUNCTIONAL/FAUX DRAWSTRING:



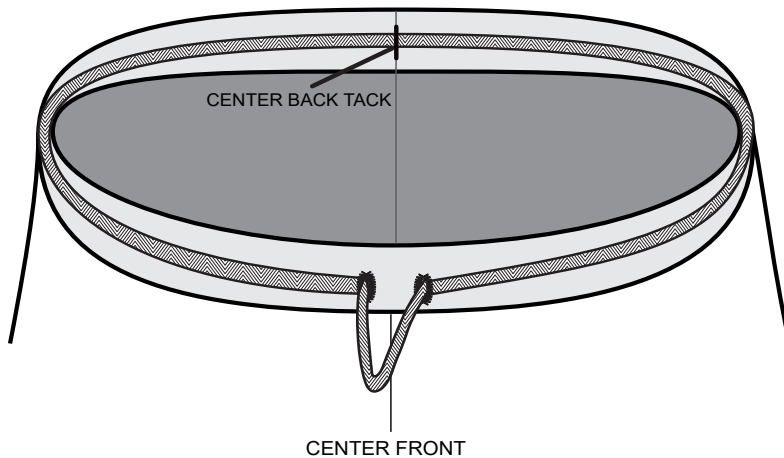
Non-Functional/Faux: Measure Both Ends of Exposed Drawstring from where drawstring is tacked to garment to End. **For Safety, Each Exposed Drawstring Length Must Not Exceed 2 1/2" including finished end.**

****Garments with internal drawstrings will need to be turned inside out.**

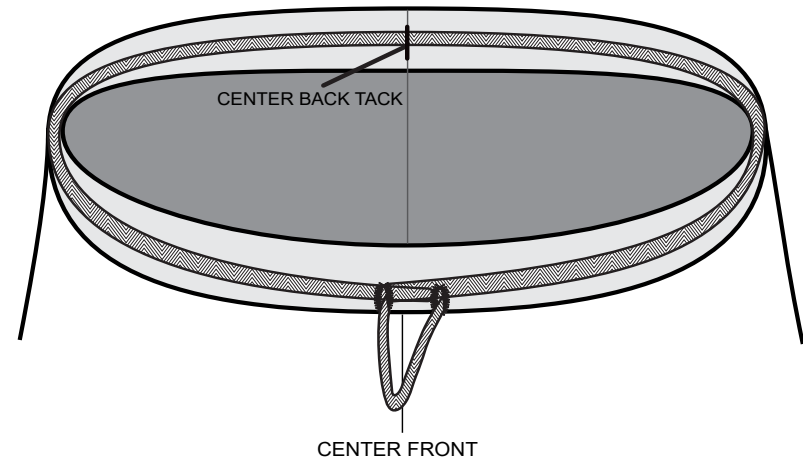
DRAWCORD APPLICATIONS FOR POM A403C EXP CHILDRENS **DRAWCORD EXPOSED LENGTH CRITICAL/PRIMARY**

FUNCTIONAL DRAWCORD APPLICATION TYPES:

**FUNCTIONAL DRAWCORD:
SEE HTM A403C EXP STEPS 1-3**



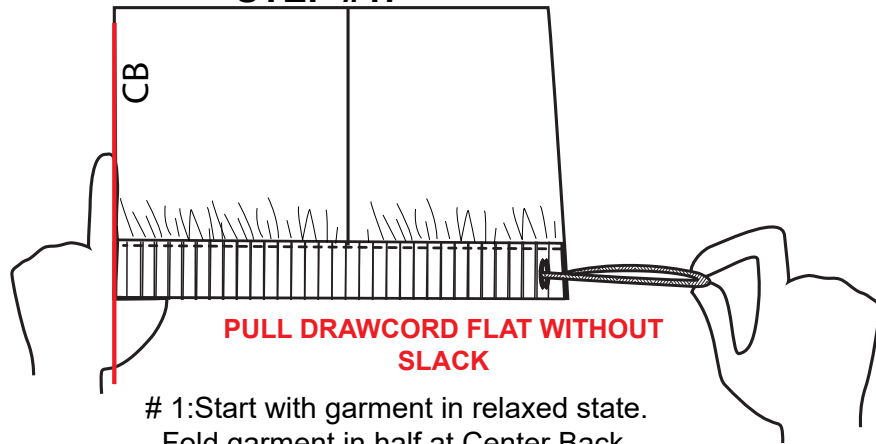
**FUNCTIONAL DRAWCORD
W/CF CROSSING DRAWCORD
HTM A403C EXP STEPS: 1-3**



****Garments with internal drawstrings will need to be turned inside out.**

MEASUREMENT STEPS: POM A403C EXP CHILDRENS DRAWCORD EXPOSED LENGTH CRITICAL/PRIMARY

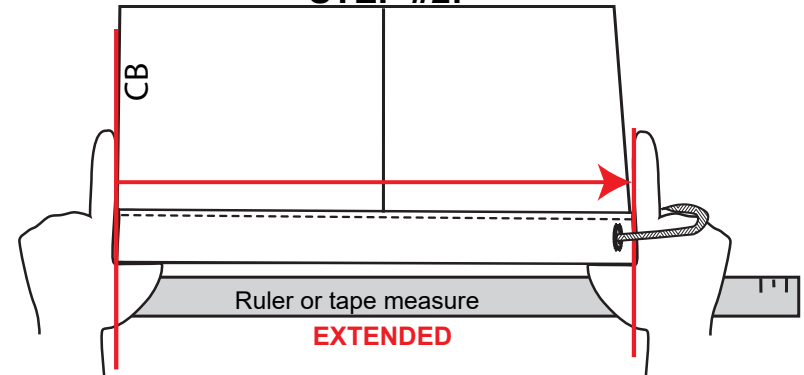
STEP #1:



PULL DRAWCORD FLAT WITHOUT SLACK

1: Start with garment in relaxed state.
Fold garment in half at Center Back.
Pull drawcord flat without slack.

STEP #2:

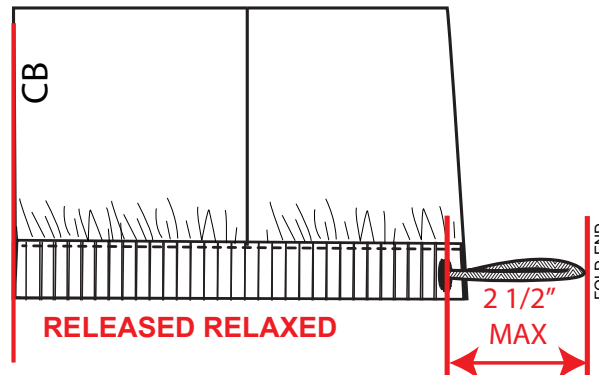


Ruler or tape measure

EXTENDED

#2: Lay garment flat on smooth flat surface.
Hold CB in place with left hand Extend Waistband with right hand until waistband is aligned with hip width relaxed measured by size (A412/A415) and not beyond.

STEP #3:



RELEASED RELAXED

2 1/2\"/>

FOLD END

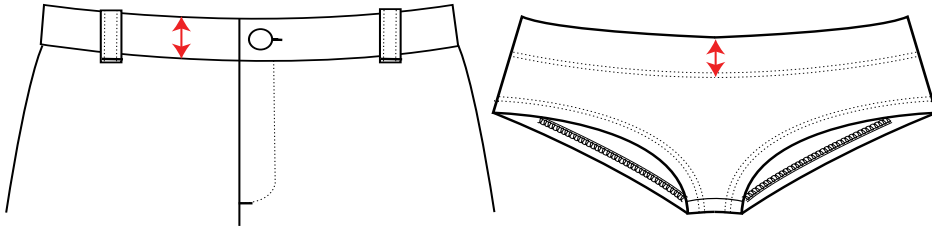
#3: Release waistband. Measure from opening to Fold end of the Exposed Drawcord.
For Safety, Exposed Drawcord Length Should Not Exceed 2 1/2\"/>

****Garments with internal drawstrings will need to be turned inside out.**

HOW TO MEASURE GUIDE

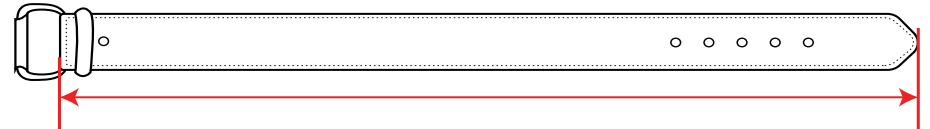
FOR PRIVATE & EXCLUSIVE BRAND APPAREL

POM A404 WAISTBAND HEIGHT



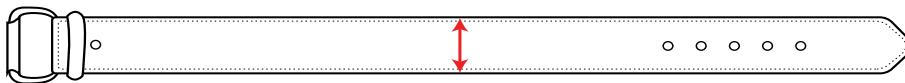
Measure from top edge to seam or bottom stitchline

POM A405 BELT LENGTH



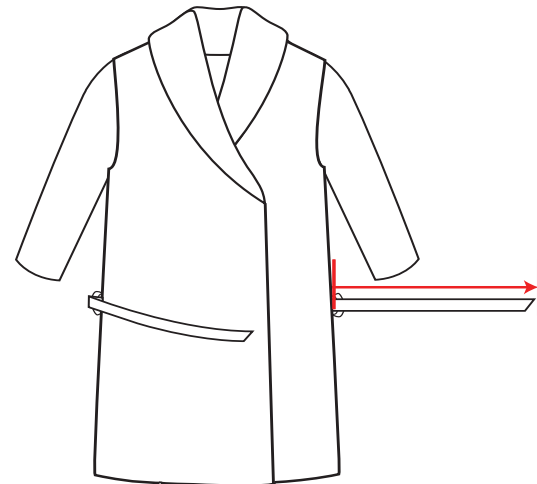
Measure straight from edge to edge at center of belt, excluding hardware

POM A405A BELT WIDTH



Measure width straight from top edge to bottom edge at center of belt

POM A405C RB (ROBE) CHILDRENS ROBE BELT/TAB/TIE LENGTH

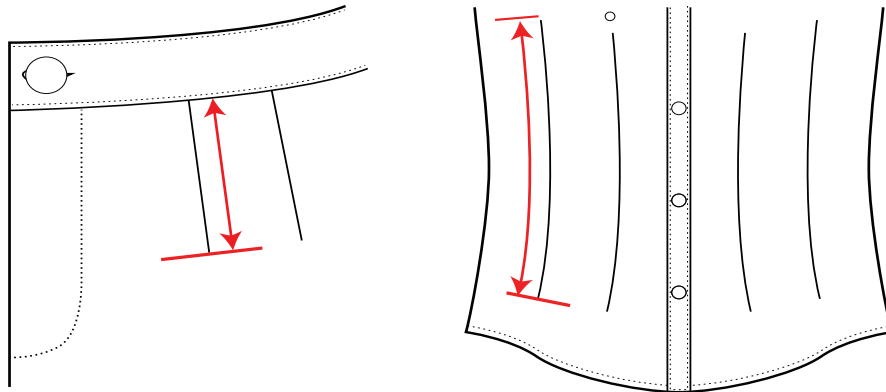


Lay garment flat with front facing you and front panels overlapped. Pull belt flat without slack. Measure length of the belt from the side belt loop or from the side seam tuck to longest point. See Kohl's Department Stores Product Safety & Regulatory Standards

HOW TO MEASURE GUIDE

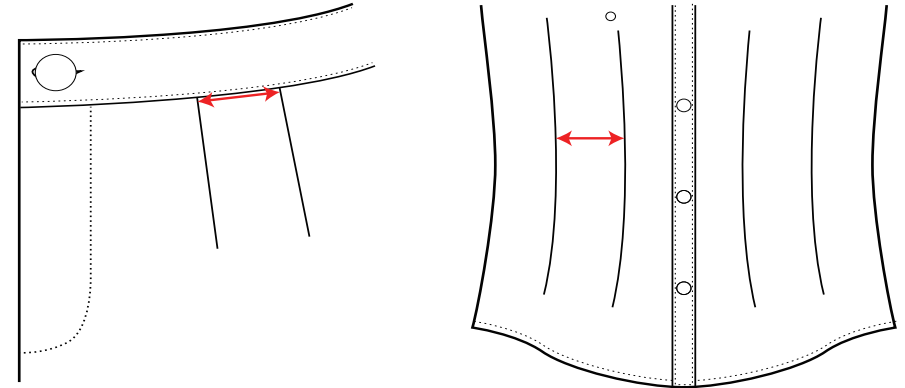
FOR PRIVATE & EXCLUSIVE BRAND APPAREL

POM A406
WAIST DART LENGTH



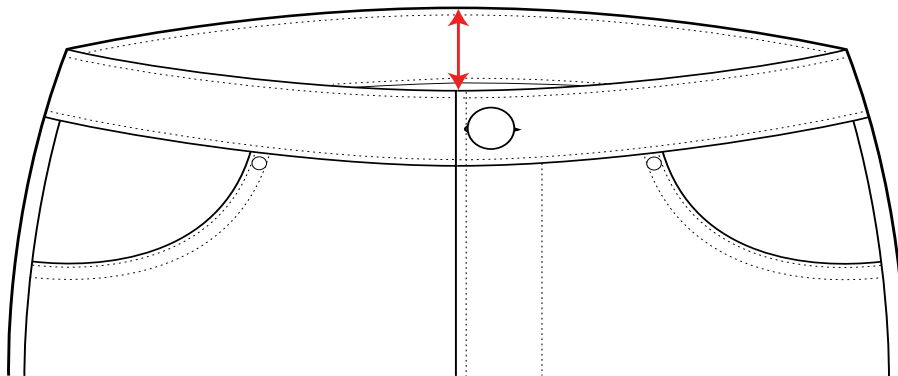
Measure along dart from end to end

POM A406C
WAIST DART APART AT SEAM OR EDGE



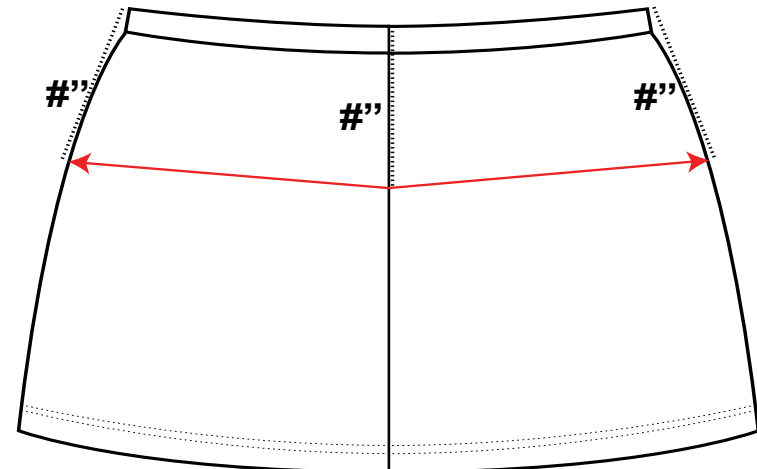
Measure from dart to dart at waist

POM A407
FRONT TO BACK WAIST PITCH - WAISTBAND TOP EDGE



Lay garment flat with front facing you
Allow front rise of garment to fall naturally
MEASUREMENT taken from back rise top edge of waistband to front rise top edge of waistband

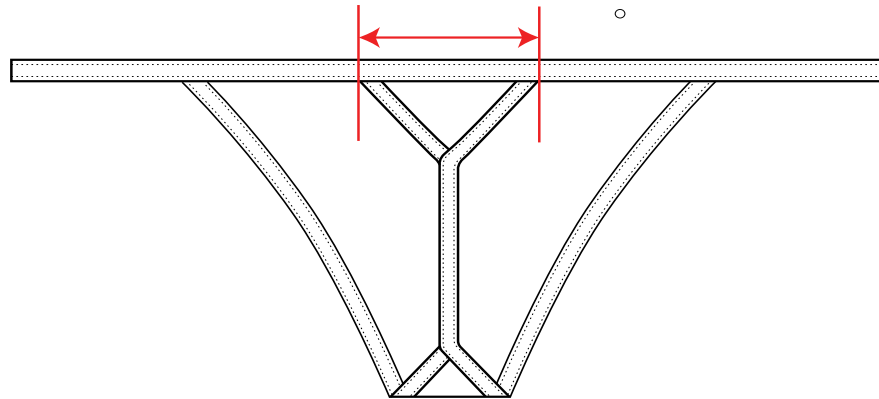
POM A410 - A410H
HIGH HIP #” FROM TOP EDGE



Measure from side edge to center front to side edge at specified location below top edge
For gathers, smooth out all fullness. For pleats, TD to specify if pleats are spread open or closed
ELASTIC WAIST: Fold over top of waist to allow fullness to remain extended during measuring

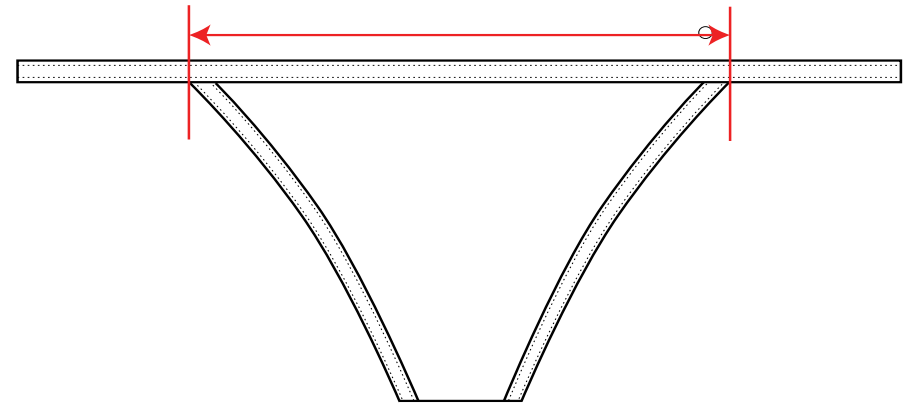
HOW TO MEASURE GUIDE FOR PRIVATE & EXCLUSIVE BRAND APPAREL

POM A409 BK
THONG PANEL WIDTH AT BACK WAIST



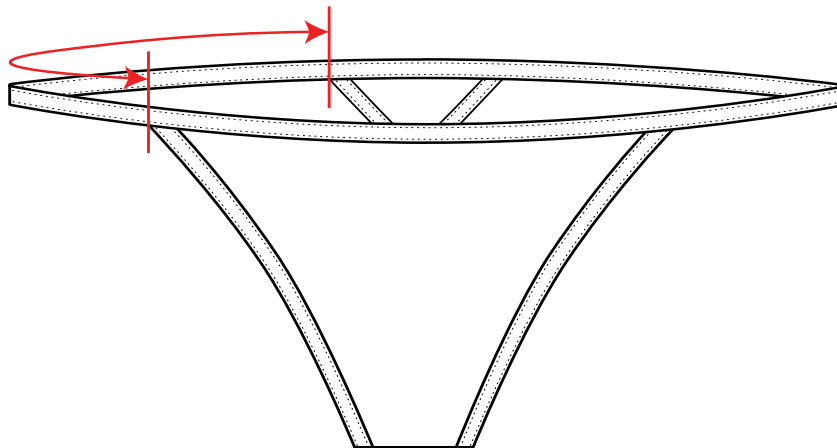
Lay garment with back facing you
Measure along top edge from edge to edge

POM A409 FT
THONG PANEL WIDTH AT FRONT WAIST



Lay garment with front facing you
Measure along top edge from edge to edge

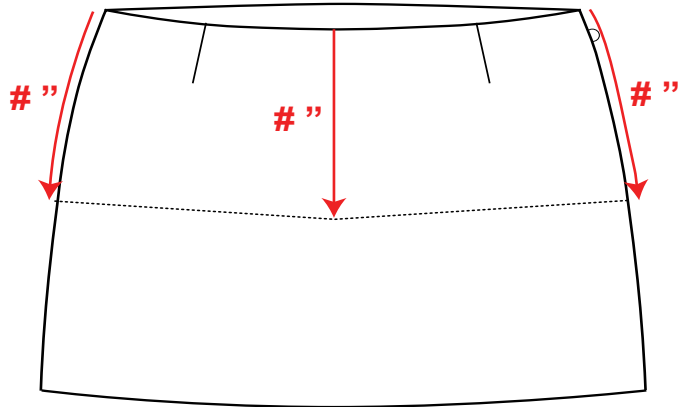
POM A409 SD
SIDE STRING LENGTH



Measure along string from join seam to join seam

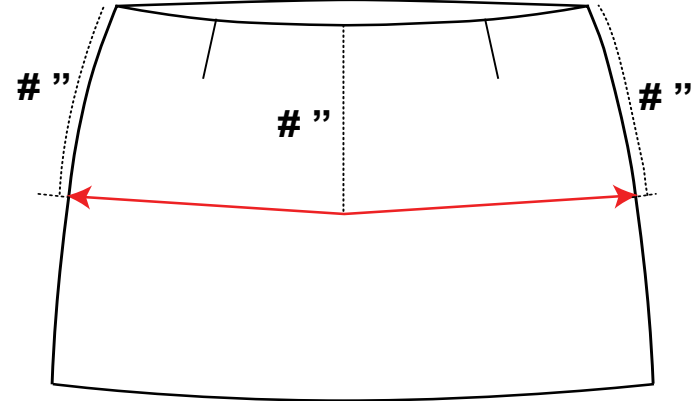
HOW TO MEASURE GUIDE FOR PRIVATE & EXCLUSIVE BRAND APPAREL

POM A411 HIGH AND LOW HIP PLACEMENT FROM TO EDGE



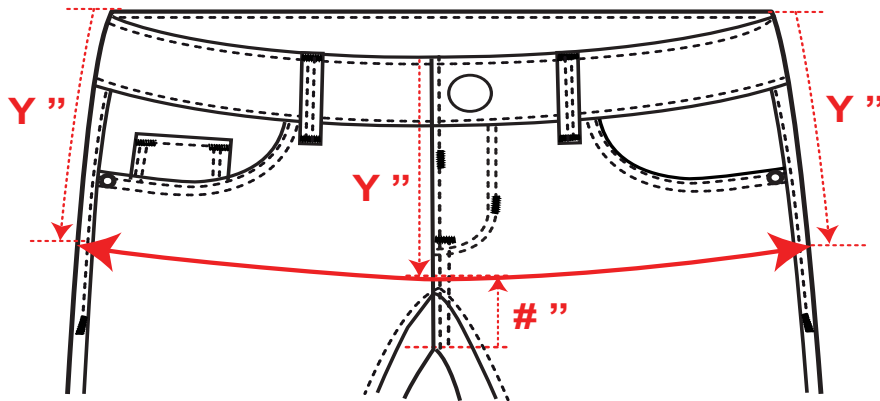
Measure from top edge at Side and Center Front to determine placement of hip measurement

POM A412 - A412H LOW HIP #\"/>



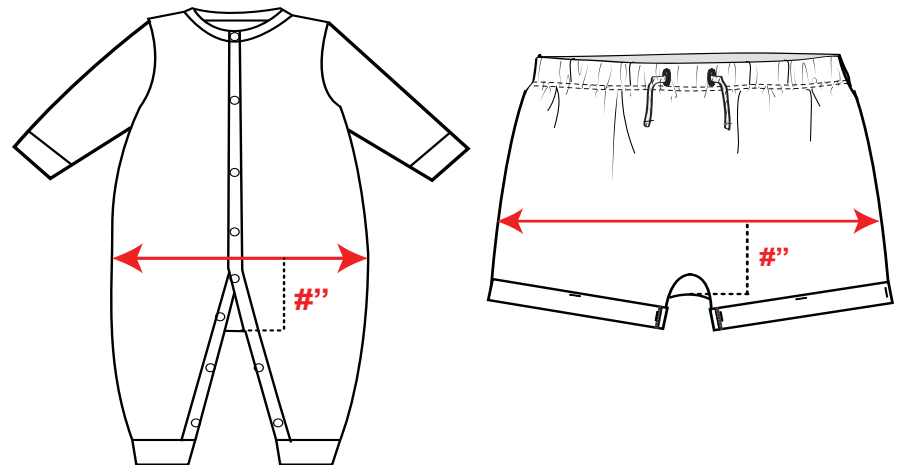
Measure from side edge to center front to side at specified location below top edge
For gathers, smooth out all fullness. For pleats, TD to specify if pleats are spread open or closed
ELASTIC WAIST: Fold over top of waist to allow fullness to remain extended during measuring

POM A415 - A415H HIP #\"/>



Measure up #\"/>

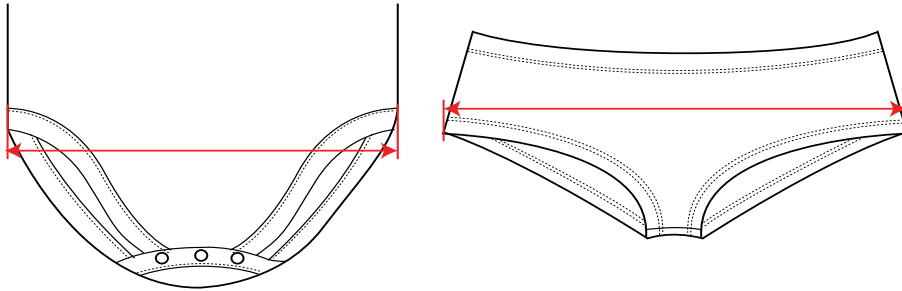
POM A416 - A416H - A416H CPSC (CPSC Sleep) HIP #\"/>



Measure up #\"/>

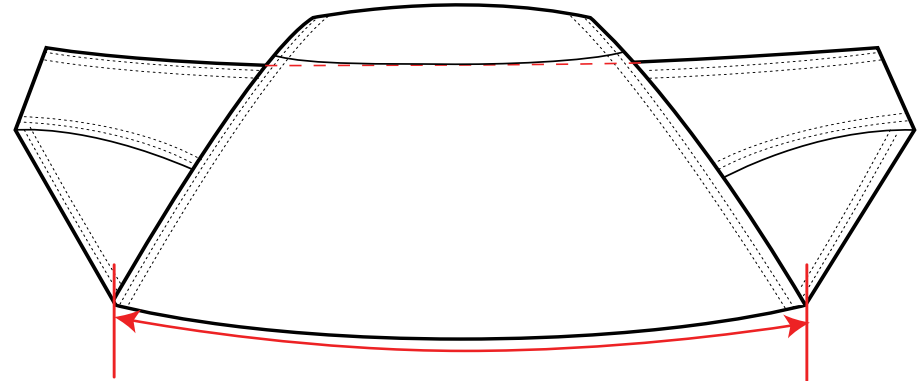
HOW TO MEASURE GUIDE FOR PRIVATE & EXCLUSIVE BRAND APPAREL

**POM A417 - A417H
HIP AT LEG OPENING - STRAIGHT**



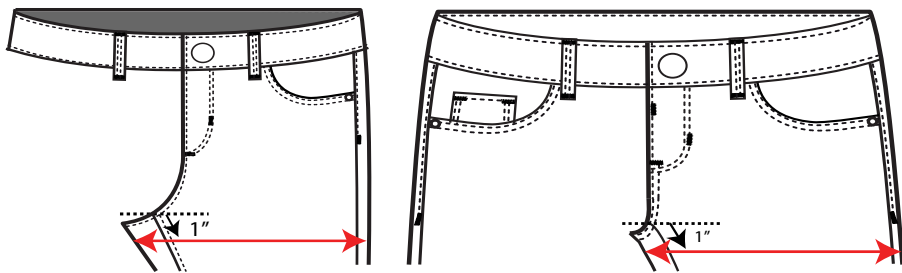
Lay garment flat with front facing you
Measure straight from edge to edge at top of leg opening

**POM A421
BACK SEAT-PANTY**



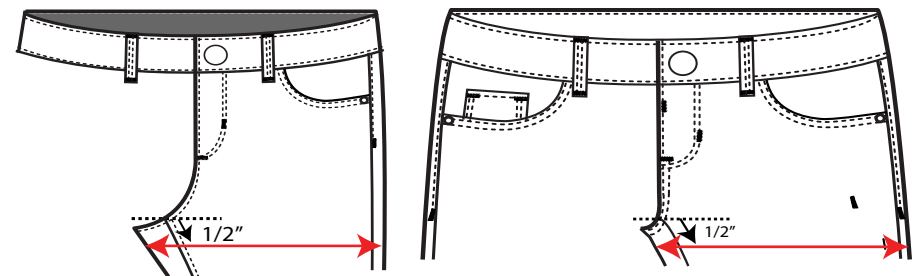
With panty folded in half from top of waistband to back crotch seam, measure along natural curve, including trim

**POM A425 - A425H - A425H CPSC (CPSC Sleep)
THIGH AT 1" BELOW CROTCH POINT**



Measure straight from edge to edge, parallel to leg opening
at 1" below crotch point

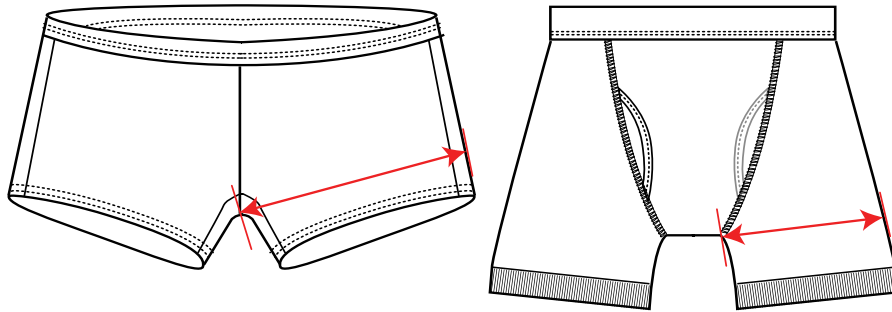
**POM A425HC - A425HCLB
THIGH AT 1/2" BELOW CROTCH POINT**



Measure straight from edge to edge, parallel to leg opening
at 1/2" below crotch point

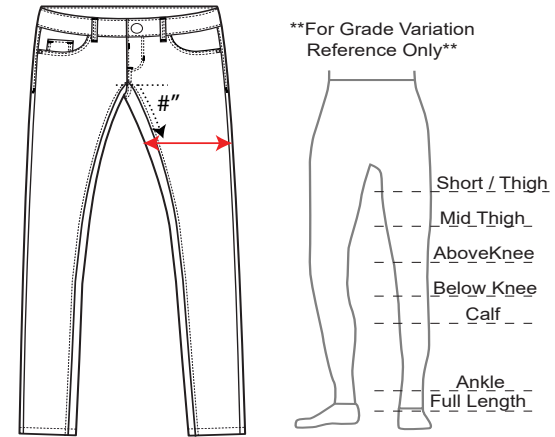
HOW TO MEASURE GUIDE FOR PRIVATE & EXCLUSIVE BRAND APPAREL

POM A426 - A426H THIGH AT CROTCH POINT



Measure straight from edge to edge, parallel to leg opening at crotch point

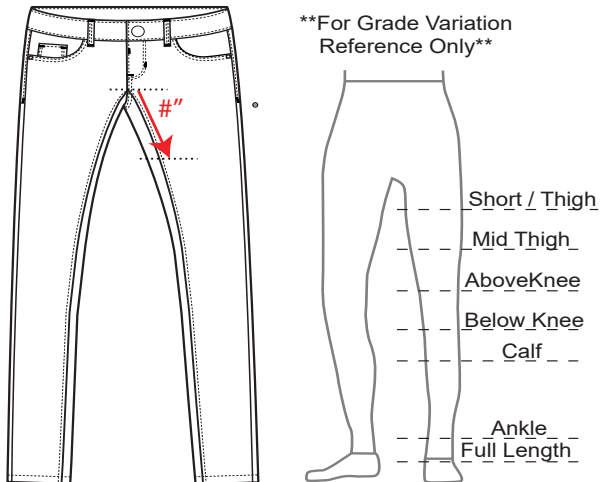
POM A428 - A428H MID-THIGH #” BELOW CROTCH POINT



For Grade Variation Reference Only

Measure straight from edge to edge, parallel to leg opening at specified distance from crotch point

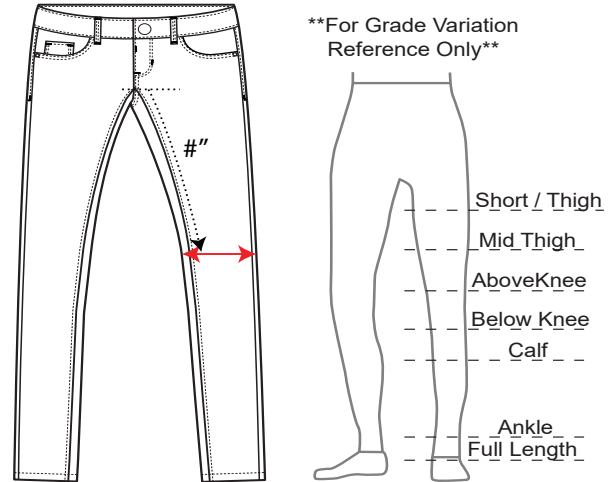
POM A428X MID-THIGH PLACEMENT BELOW CROTCH POINT



For Grade Variation Reference Only

Measure along inseam from crotch point specified distance to determine Mid-Thigh

POM A430 - A430H KNEE #” FROM CROTCH POINT

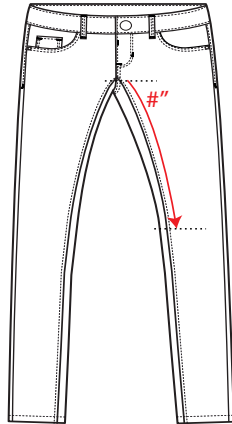


For Grade Variation Reference Only

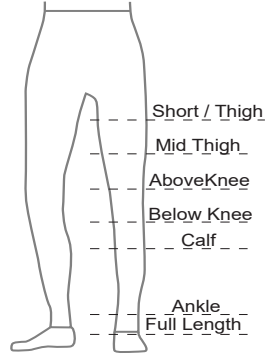
Measure straight from edge to edge, parallel to leg opening as specified from crotch point

HOW TO MEASURE GUIDE FOR PRIVATE & EXCLUSIVE BRAND APPAREL

POM A430X KNEE PLACEMENT FROM CROTCH POINT

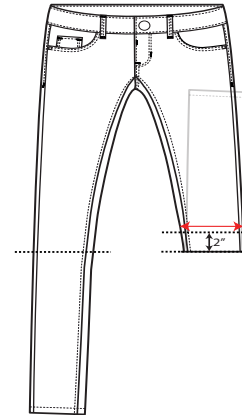


**For Grade Variation
Reference Only**

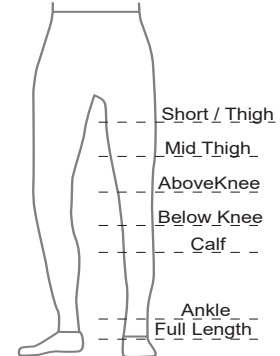


Measure along inseam from crotch point specified distance to determine Knee location

POM A430XH KNEE 1/2 INSEAM LENGTH + 2" UP FROM FOLD

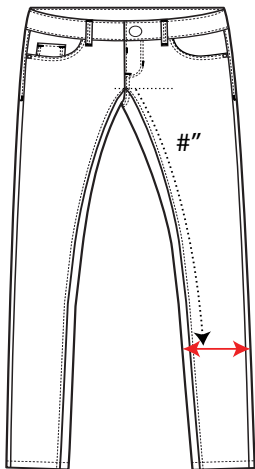


**For Grade Variation
Reference Only**

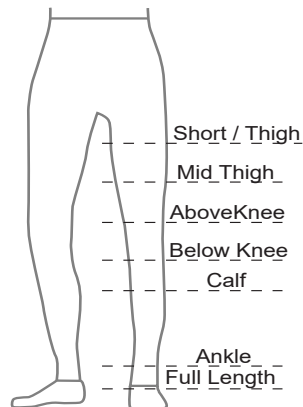


Fold Leg Panel in half from bottom hem to crotch point to find half point for knee
Measure 2" above fold

POM A432 - A432H CALF #\"/>

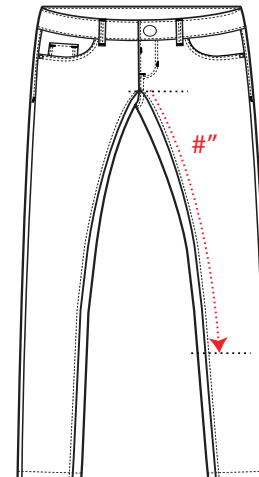


**For Grade Variation
Reference Only**

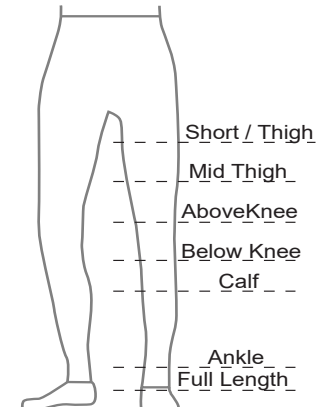


Measure straight from edge to edge, parallel to leg opening as specified from crotch point

POM A432X CALF PLACEMENT FROM CROTCH POINT



**For Grade Variation
Reference Only**

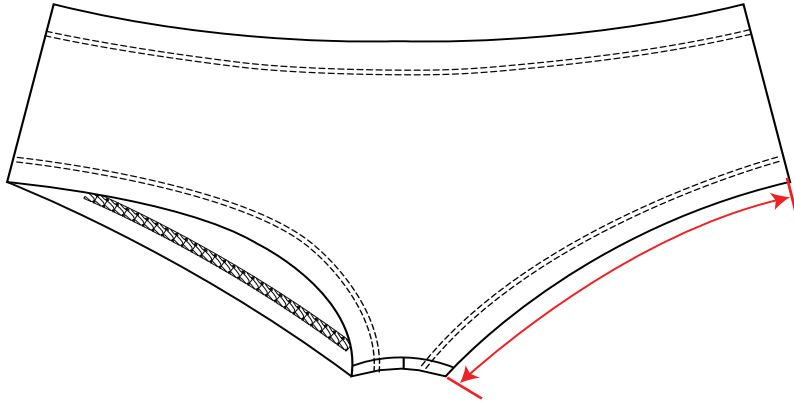


Measure along inseam from crotch point specified distance to determine Calf location

HOW TO MEASURE GUIDE

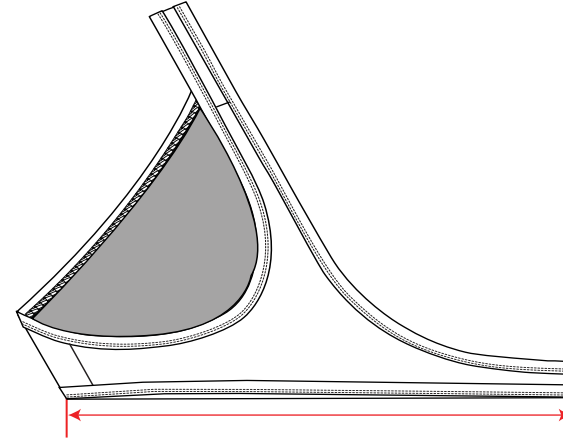
FOR PRIVATE & EXCLUSIVE BRAND APPAREL

**POM A435H - A435H B (BOYSHORT)
LEG OPENING RELAXED - PANTY**



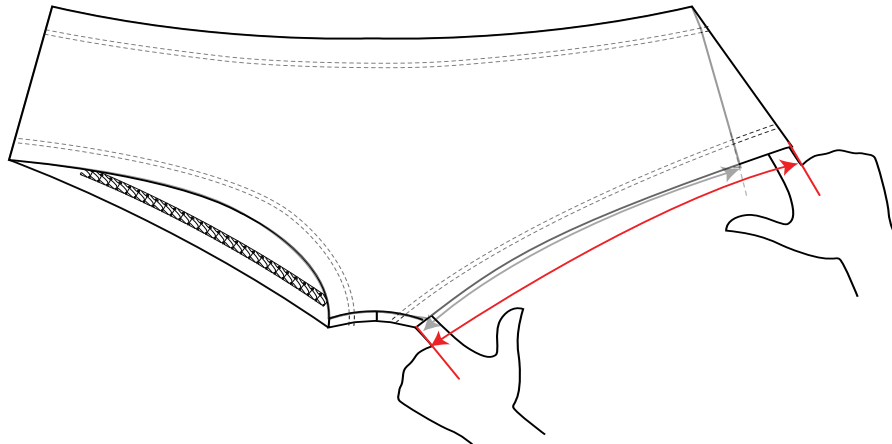
Align front and back leg opening
Smooth out elastic without stretching
Measure along leg opening from edge to edge

**POM A435H TH (THONG)
LEG OPENING RELAXED - THONG**



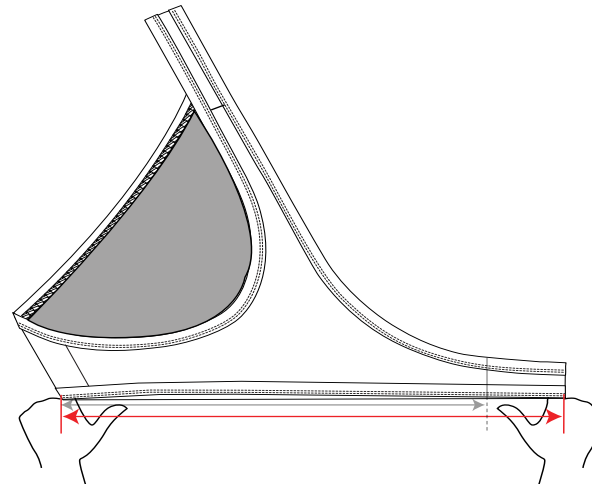
Align front and back leg opening
Smooth out elastic without stretching
Measure along leg opening from edge to edge

**POM A436H - A436H B (BOYSHORT)
LEG OPENING EXTENDED - PANTY**



Align front/back leg opening
Using your index fingers, extend leg opening without breaking stitches or stretching fabric
Measure along leg opening from edge to edge

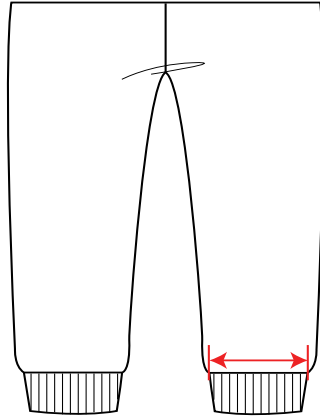
**POM A436H TH (THONG)
LEG OPENING EXTENDED - THONG**



Align front/back leg opening.
Using your index fingers, extend leg opening without breaking stitches or stretching fabric.
Measure along leg opening from edge to edge.

HOW TO MEASURE GUIDE FOR PRIVATE & EXCLUSIVE BRAND APPAREL

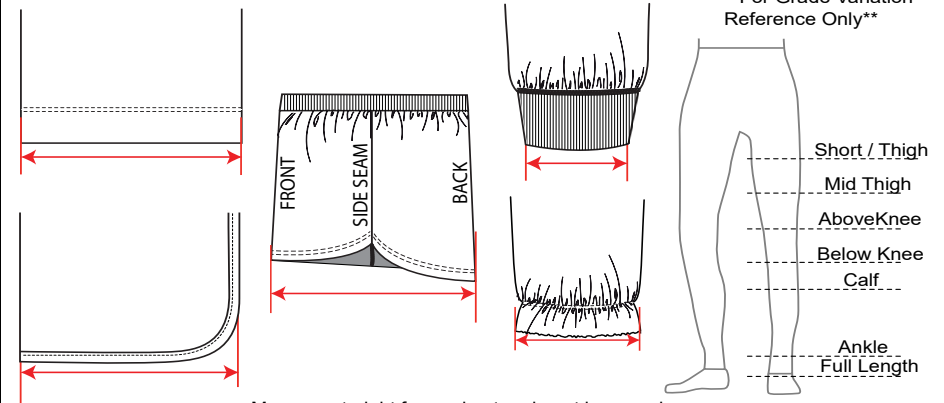
POM A437-8P, POM 437-8P CPSC (CPSC SLEEP) LEG OPENING AT CUFF SEAM RELAXED - PANT



Measure straight from edge to edge at seam or stitchline at leg opening

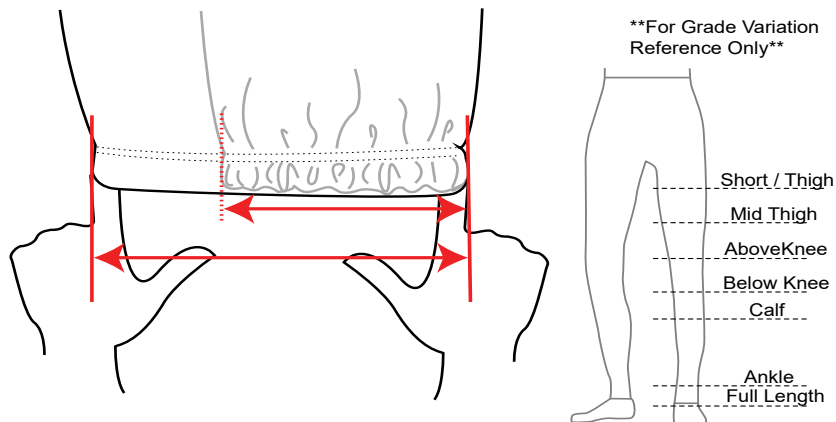
POM A438, POM 438-01TH (SHORT/THIGH) - 02MT (MID THIGH)-03AK (ABOVE KNEE) - 05BK (BELOW KNEE) - 06MC (MID CALF) - 07A (ANKLE) - 08P (FULL LENGTH) - 08P CPSC (CPSC SLEEP) LEG OPENING RELAXED

For Grade Variation Reference Only



Measure straight from edge to edge at leg opening
SIDE VENT/CUT OUT: measure straight from edge to imaginary line at outseam location
HIGH/LOW CUT OUT: Fold garment in half aligning side seam and inseam. Measure straight from edge to edge

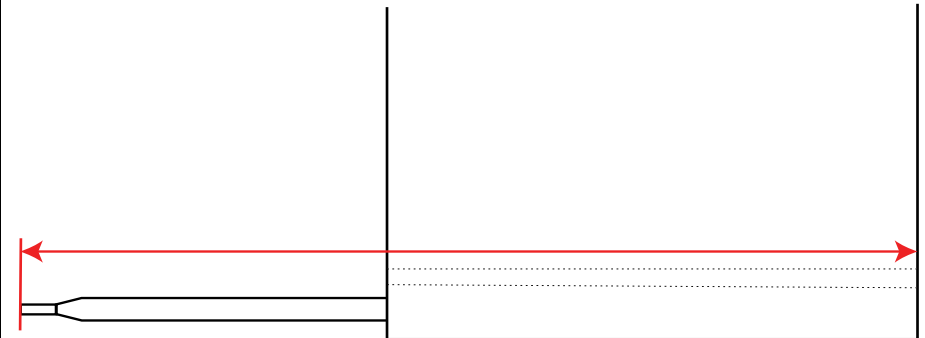
POM A439, 439-01TH(SHORT/THIGH), -06MC(MID CALF), 07A(ANKLE), -08P(FULL LENGTH) POM A439H-01TH(SHORT/THIGH), -06MC(MID CALF), 07A(ANKLE), -08P(FULL LENGTH) LEG OPENING EXTENDED



For Grade Variation Reference Only

Grasp sides and extend without breaking stitches
Measure straight from edge to edge at leg opening

POM A440 LEG OPENING DRAWCORD LENGTH

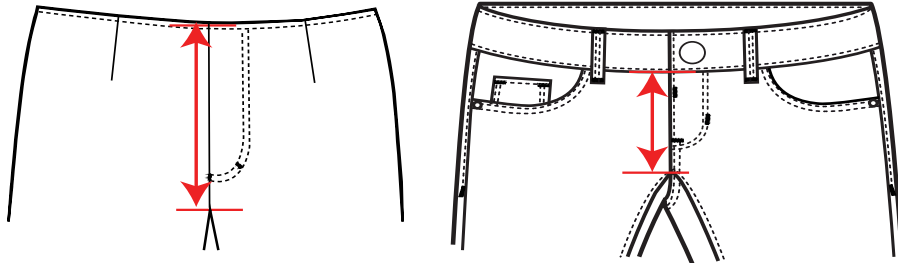


Measure from inseam edge of garment to ends of drawcord, including tipping or knots
Double measurement.
For Wovens: Pull drawcord taut
For Knits: Pull drawcord flat but do not stretch

HOW TO MEASURE GUIDE

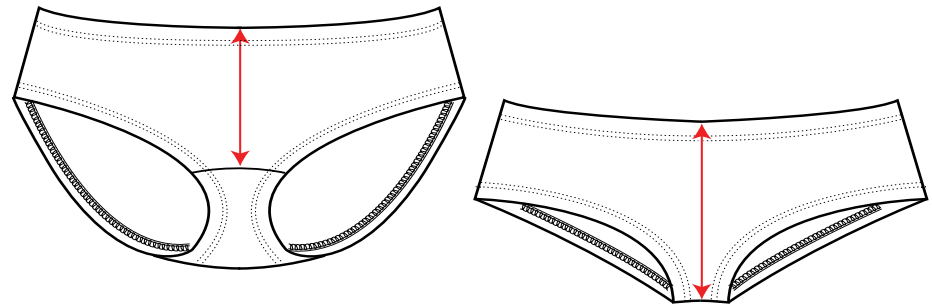
FOR PRIVATE & EXCLUSIVE BRAND APPAREL

POM A450
FRONT RISE TO WAISTBAND SEAM OR TOP EDGE



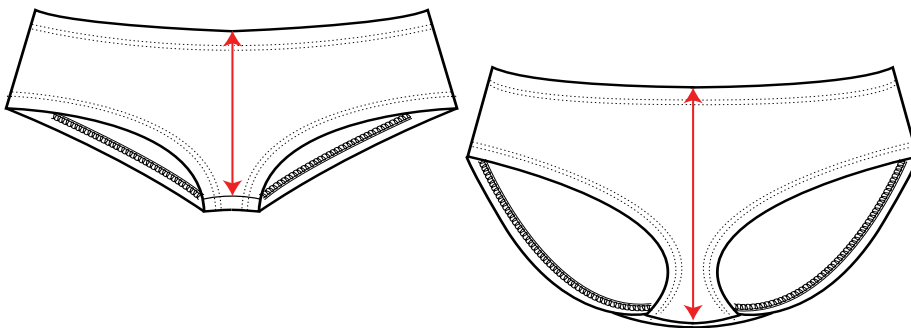
Straighten rise seam without stretching
 Measure straight along rise seam from crotch point seam to waistband seam or top edge if no waistband

POM A451
FRONT RISE TO FRONT CROTCH SEAM



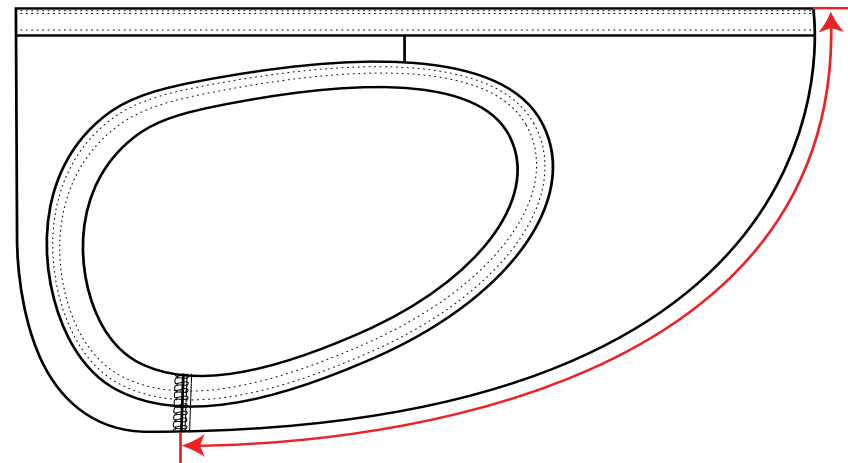
Measure straight at Center Front from top edge of waist to center of crotch seam or natural fold

POM A452
FRONT RISE TO BACK CROTCH SEAM



Roll back crotch seam to front and measure along Center Front from top edge of waist to center of back crotch seam

POM A453
FRONT RISE - THONG

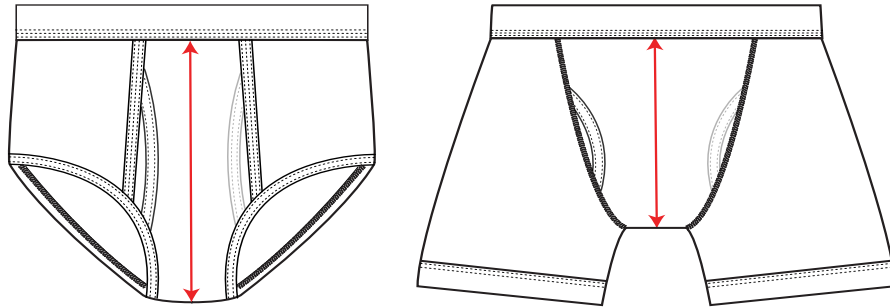


Fold front in half aligning right front leg with left front leg
 Measure from center front waist edge to crotch seam

HOW TO MEASURE GUIDE

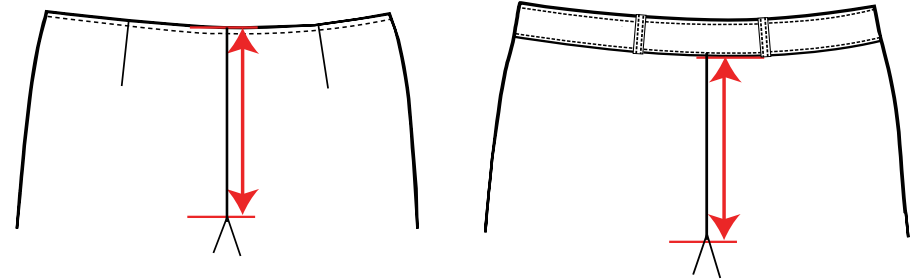
FOR PRIVATE & EXCLUSIVE BRAND APPAREL

POM A454 MN
FRONT RISE BELOW WAISTBAND - MEN'S



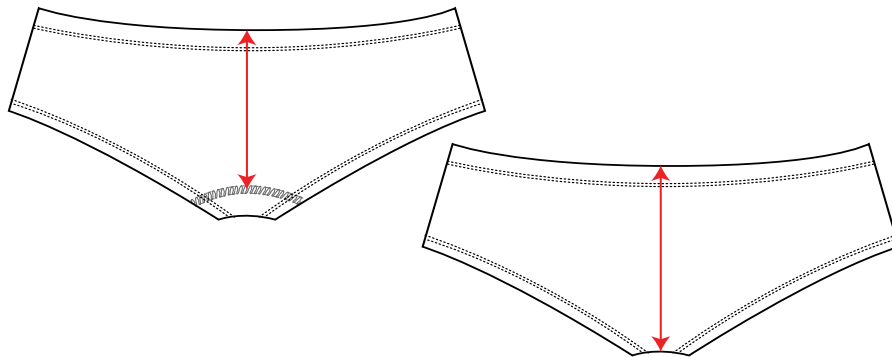
Measure straight at CF from bottom of Waistband to crotch seam or natural fold edge

POM A460
BACK RISE TO WAISTBAND SEAM OR TOP EDGE



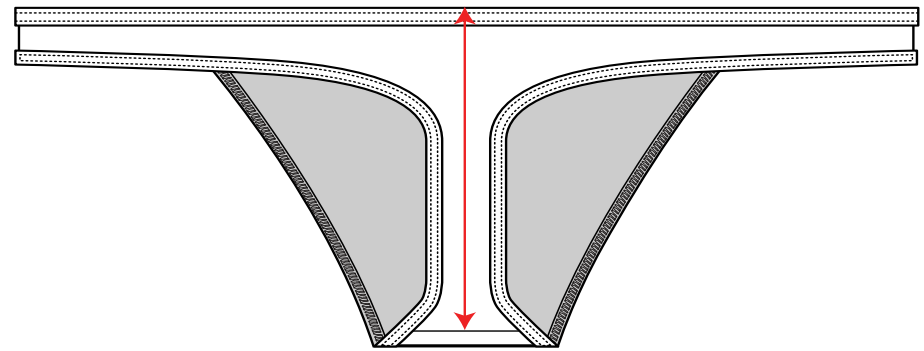
Straighten rise seam without stretching
Measure straight along rise seam from crotch point seam to waistband seam or top edge if no waistband

POM A461
BACK RISE TO BACK CROTCH SEAM



Lay garment flat with back facing you
Measure straight from top edge of waist to center of crotch seam or natural fold at Center Back

POM A463 TH
BACK RISE - THONG

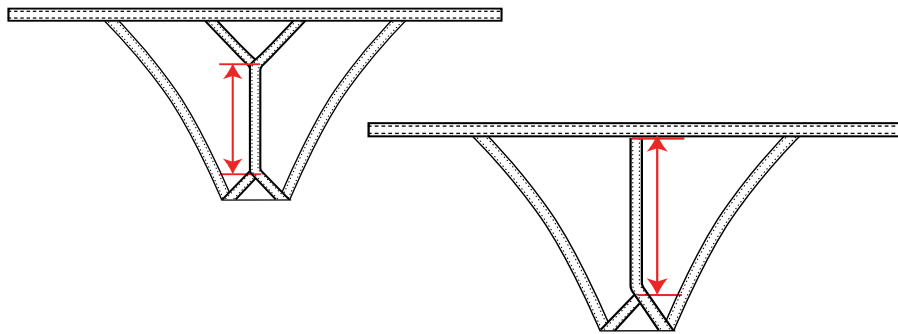


Measure from top edge to center of crotch seam at Center Back

HOW TO MEASURE GUIDE

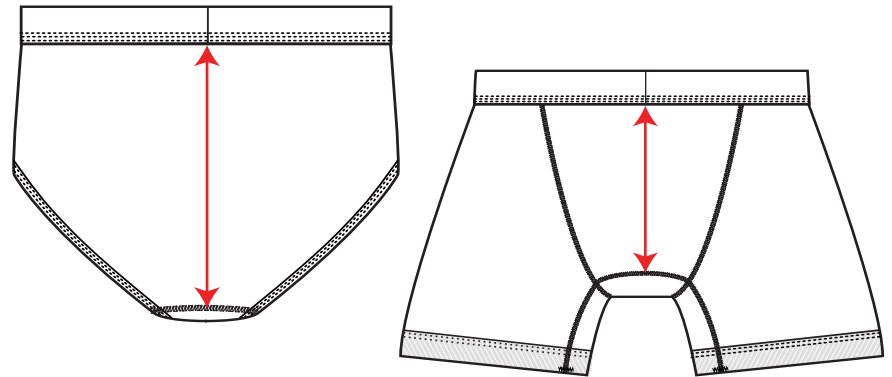
FOR PRIVATE & EXCLUSIVE BRAND APPAREL

POM A463A TH
BACK STRING LENGTH- THONG



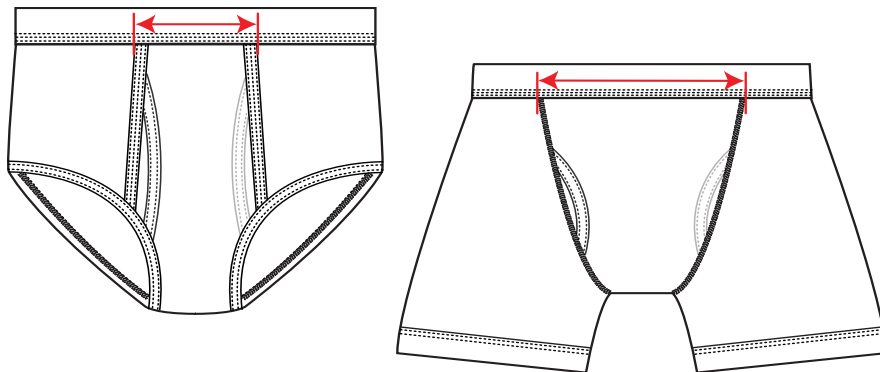
Measure from top edge or string join to string join

POM A464 MN
BACK RISE BELOW WAISTBAND - MEN'S



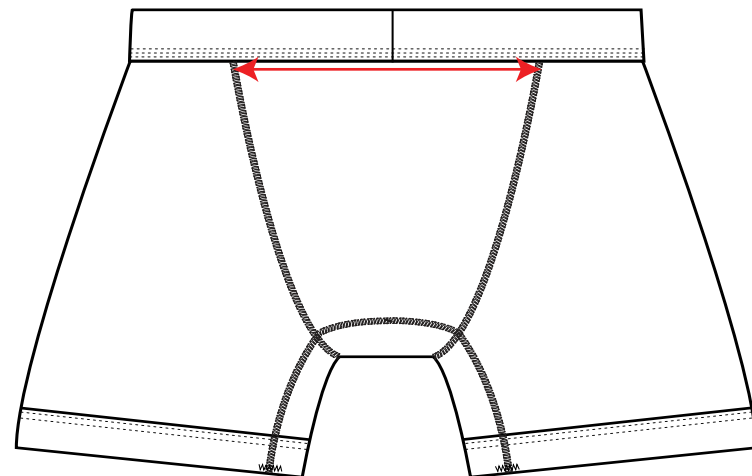
Measure straight down at center of garment from below waistband to center of croth at bottom or seam

POM A471 MN
FRONT PANEL WIDTH AT TOP EDGE WITH TAPE - MEN'S



Measure at waistband seam straight across fly panel from outer edge of seam to outer edge of seam

POM A472 MN
BACK PANEL WIDTH AT TOP EDGE WITH TAPE - MEN'S

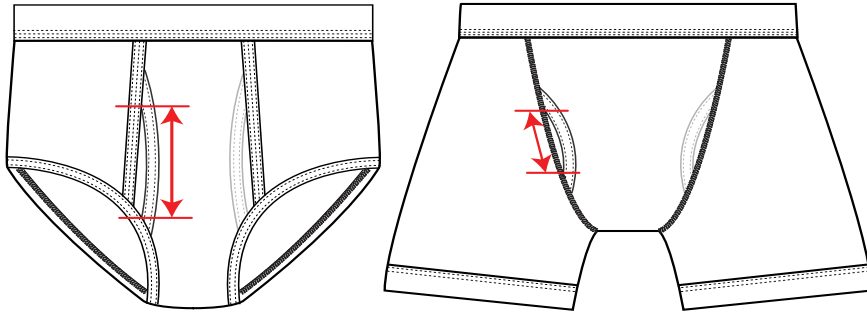


Measure at waistband seam straight across back panel from outer edge of taped seam to outer edge of taped seam

HOW TO MEASURE GUIDE

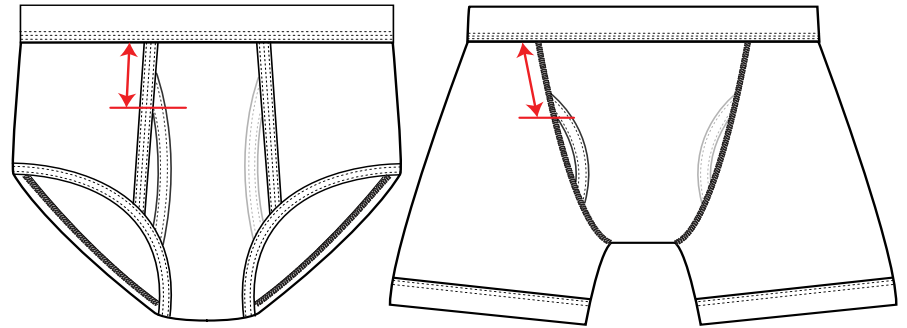
FOR PRIVATE & EXCLUSIVE BRAND APPAREL

POM A474 MN
FLY OPENING LENGTH WITH BOUND EDGE - MEN'S



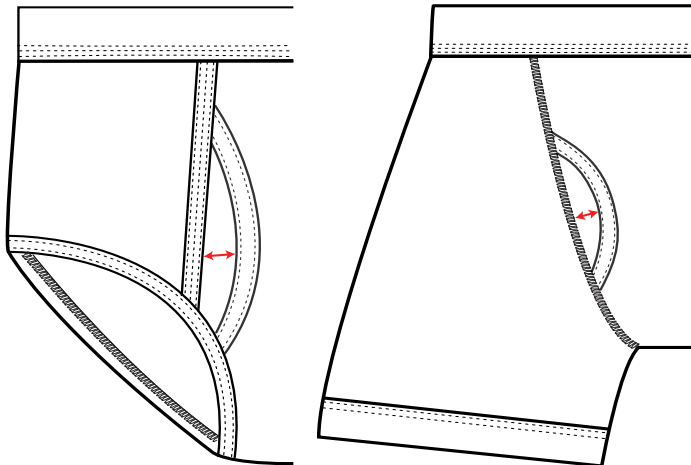
Measure straight from bottom edge of binding or seam edge at top of fly opening to edge of binding or seam at bottom of fly opening

POM A474A MN
FLY OPENING FROM BOTTOM OF WAISTBAND - MEN'S



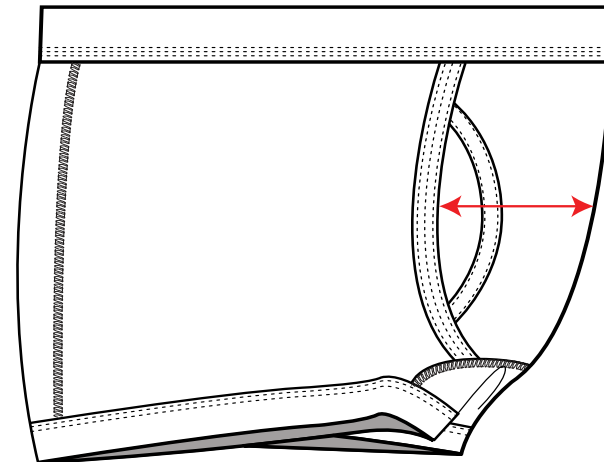
Measure straight from bottom edge of waistband to binding or seam of fly opening

POM A474B MN
FLY GAP WIDTH OPENING - MEN'S



Measure straight across at center of fly opening tape or center of seam edge of fly width to edge of fly opening

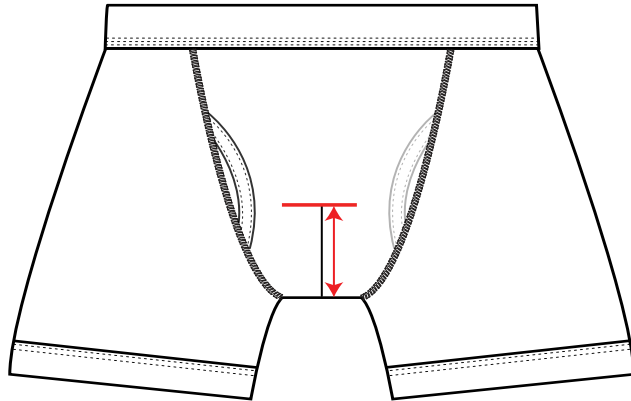
POM A474C MN
FLY WIDTH AT WIDEST POINT - 1/2 MEASUREMENT MEN'S



Fold garment in half at center front
 Measure straight across at the widest point of fly/pouch from inner taped edge or seam to center fold line

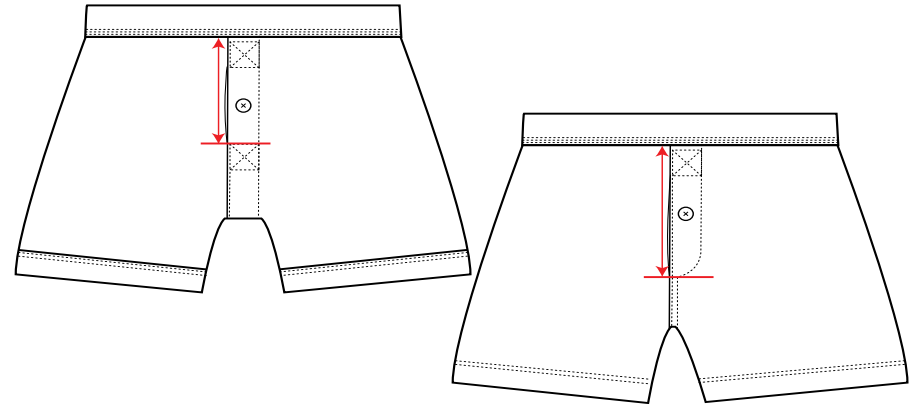
HOW TO MEASURE GUIDE FOR PRIVATE & EXCLUSIVE BRAND APPAREL

POM A474D MN DART FLY LENGTH MEN'S



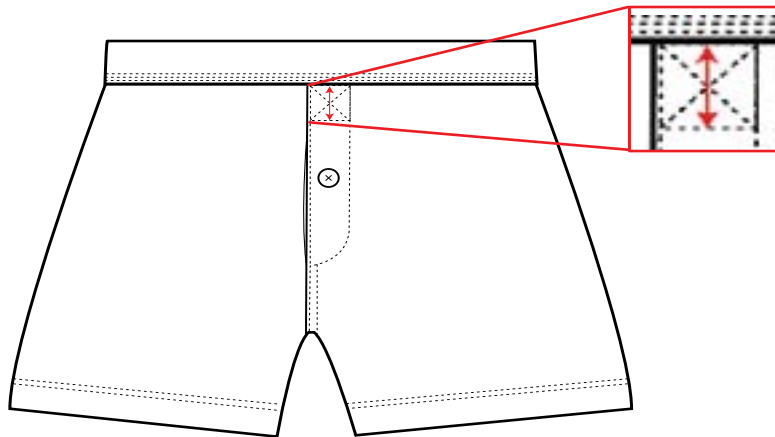
Measure length of dart from edge to edge

POM A474E MN FLY LENGTH - MEN'S



Measure straight from bottom edge of waistband to lower stitchline of fly opening at center front of garment

POM A474F MN FLY BOX STITCH HEIGHT MEN'S

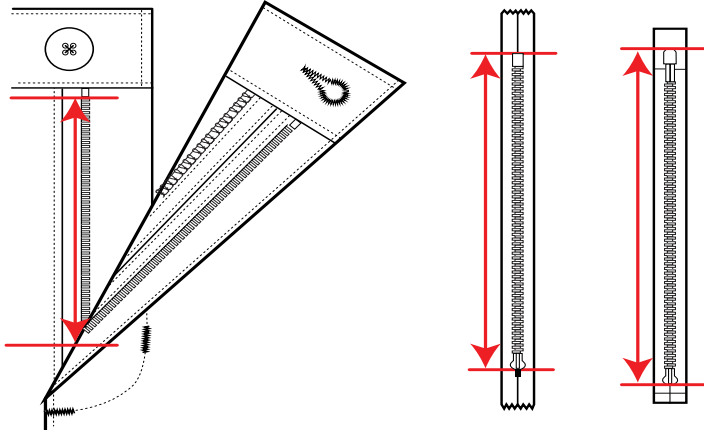


Measure straight from bottom edge of waistband to lower stitchline of box at center front

HOW TO MEASURE GUIDE

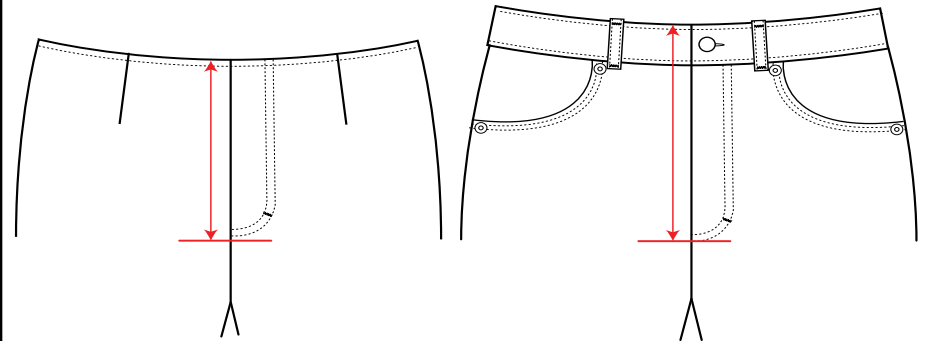
FOR PRIVATE & EXCLUSIVE BRAND APPAREL

POM A475 ZIPPER LENGTH-FLY



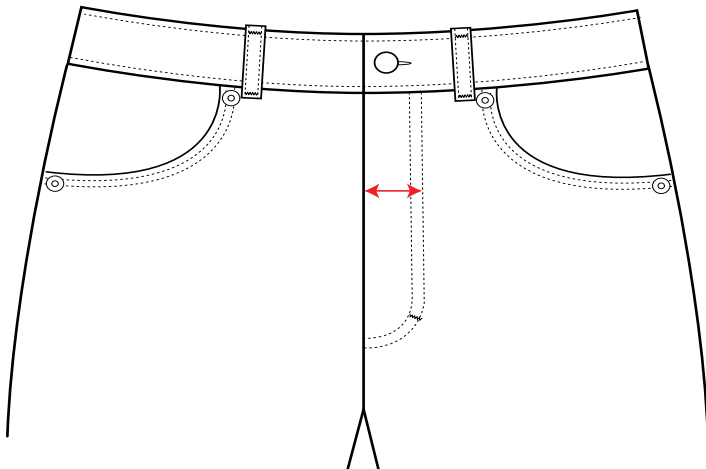
Measure from outer edge to edge of zipper stops

POM A476 FLY LENGTH BLW WB SEAM/TOP EDGE



Straighten rise seam without stretching
Measure straight along rise seam from stitchline at edge of fly to waistband seam or top edge

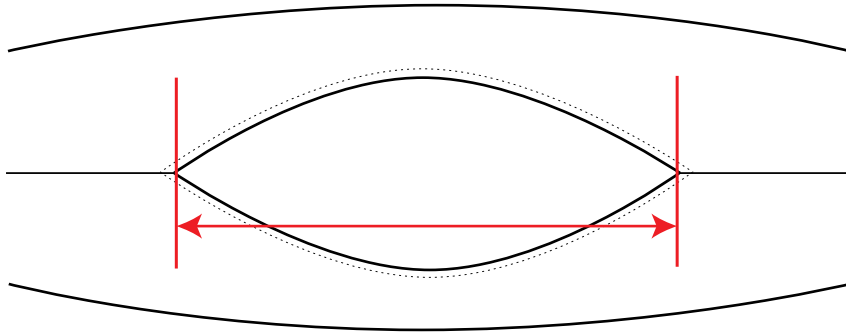
POM A478 FLY WIDTH



Measure straight from edge to outside stitchline at center on fly

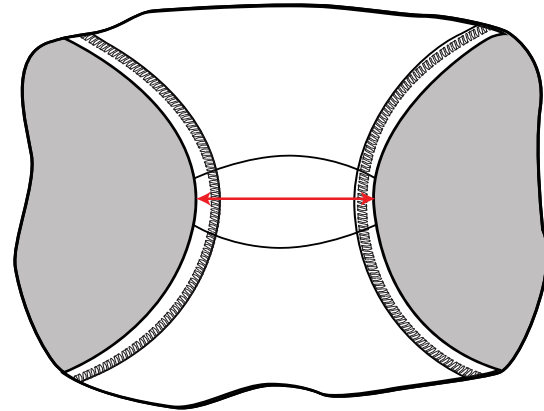
HOW TO MEASURE GUIDE FOR PRIVATE & EXCLUSIVE BRAND APPAREL

POM A480 GUSSET LENGTH



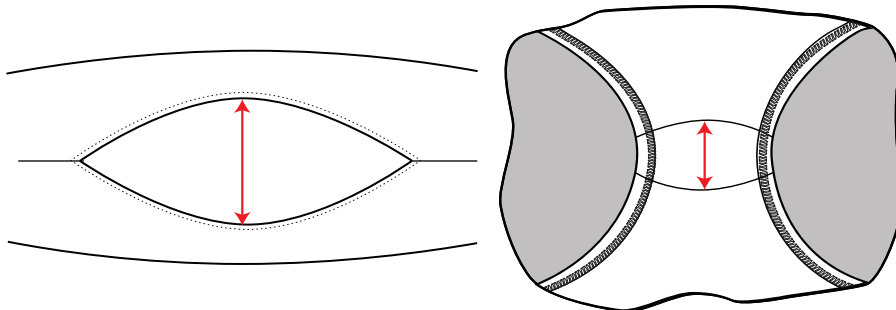
Measure straight from seam to seam at center of gusset

POM A481 GUSSET LENGTH CROTCH



Lay garment so the crotch piece is flat
Measure straight from seam to seam at center of crotch

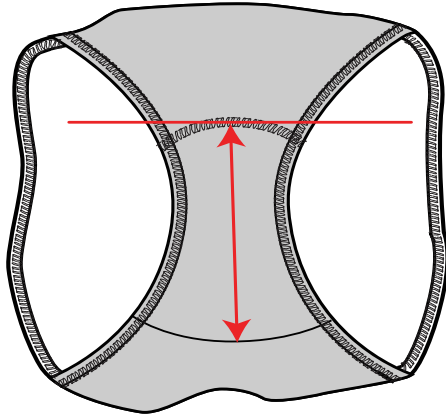
POM A482 GUSSET WIDTH - FRONT TO BACK



Lay garment so the gusset or crotch piece is flat
Measure straight from seam to seam at center of gusset or crotch piece

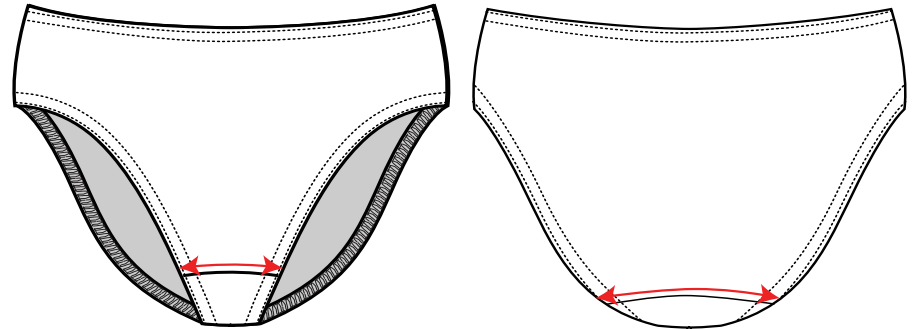
HOW TO MEASURE GUIDE FOR PRIVATE & EXCLUSIVE BRAND APPAREL

**POM A483
CROTCH LENGTH FRONT SEAM TO BACK SEAM**



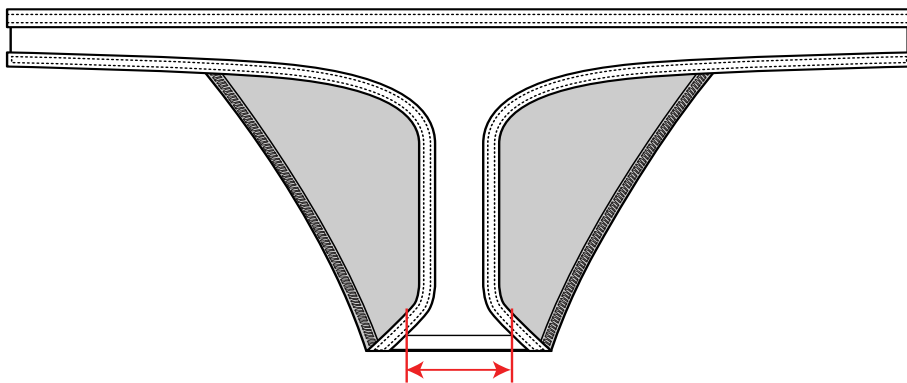
Lay garment so that crotch piece is flat
Measure straight from center of seam to center of seam at center of crotch piece

**POM A484
CROTCH WIDTH AT FRONT OR BACK SEAM**



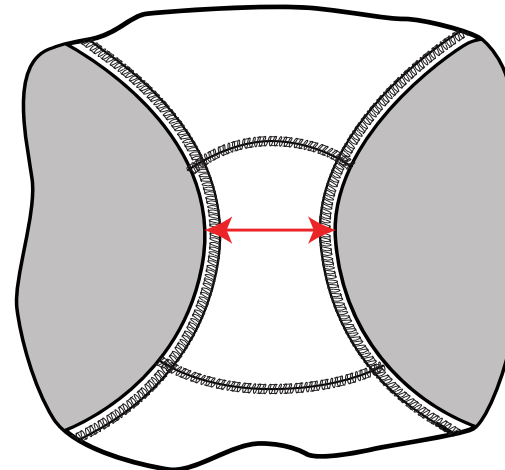
Measure from edge to edge along crotch seam or along edge of crotch liner piece

**POM A485 TH
CROTCH WIDTH AT BACK SEAM - THONG**



Measure from edge to edge along crotch seam or along edge of crotch liner

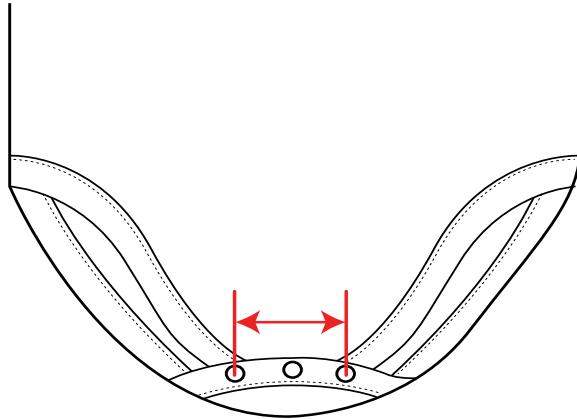
**POM A486
CROTCH WIDTH AT NARROWEST POINT**



Lay garment so that crotch piece is flat
Measure straight from edge to edge at narrowest point of crotch piece

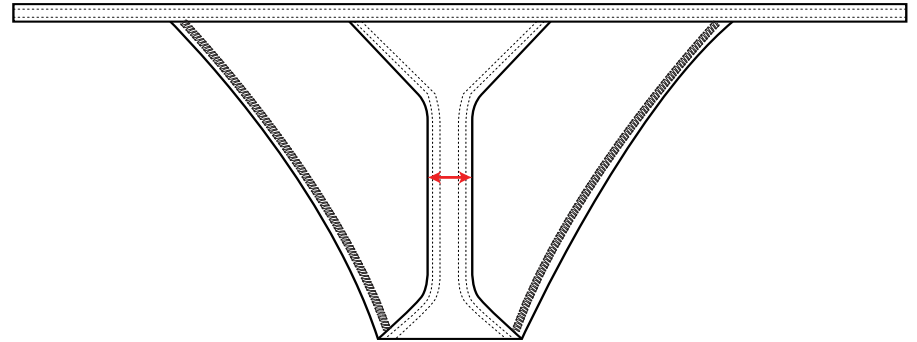
HOW TO MEASURE GUIDE FOR PRIVATE & EXCLUSIVE BRAND APPAREL

**POM A486 B
SNAP CROTCH WIDTH**



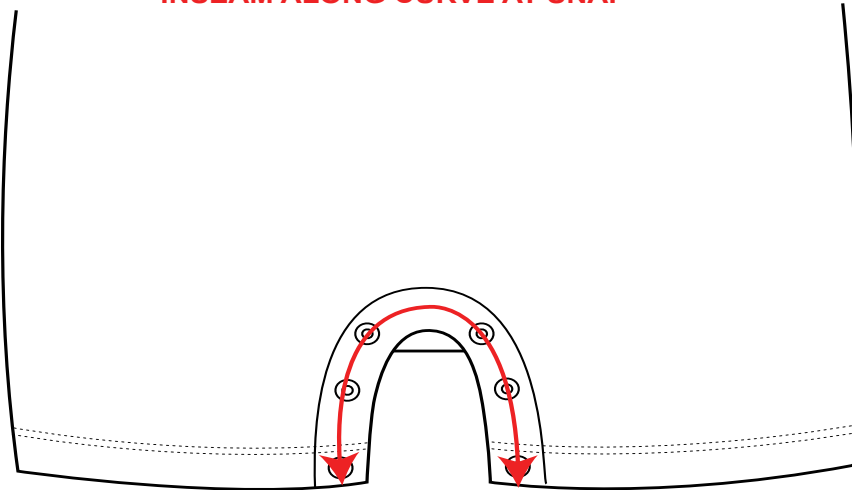
Measure straight from center to center of the outer snaps

**POM A487 TH
THONG WIDTH AT NARROWEST POINT**



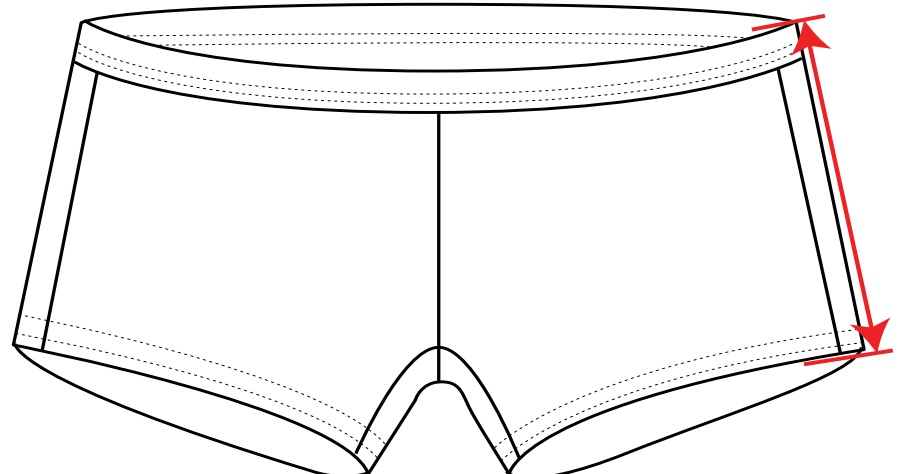
Measure back of thong at narrowest point from leg opening to leg opening

**POM A489 - A489 NG
INSEAM ALONG CURVE AT SNAP**



Measure from edge to edge along center of snap crotch

**POM A490 - A490 NG - A490 B(Boyshort)
OUTSEAM - PANTY**



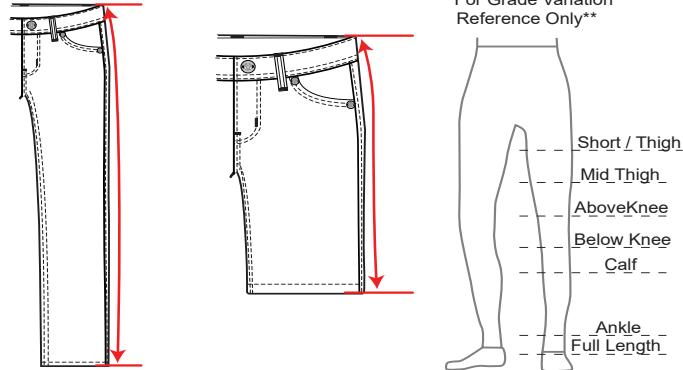
Measure along side seam from top edge to edge of leg opening

HOW TO MEASURE GUIDE FOR PRIVATE & EXCLUSIVE BRAND APPAREL

**POM A495, POM 495-01TH (Short / Thigh) - 02MT (Mid Thigh)
-03AK (Above Knee) -06BK (Below Knee) -07MC (Mid Calf)
-08A (Ankle) - 09P (Full Length)**

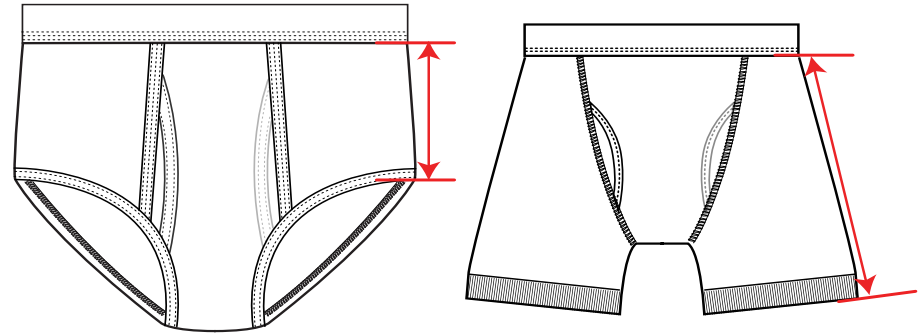
OUTSEAM TOP EDGE DEVELOPEMENT ONLY

For Grade Variation Reference Only



Measure along side seam from top edge to bottom opening edge

**POM A497 MN, POM A497 NG
OUTSEAM BELOW WAISTBAND MN
OUTSEAM BELOW WAISTBAND - NO GRADE**

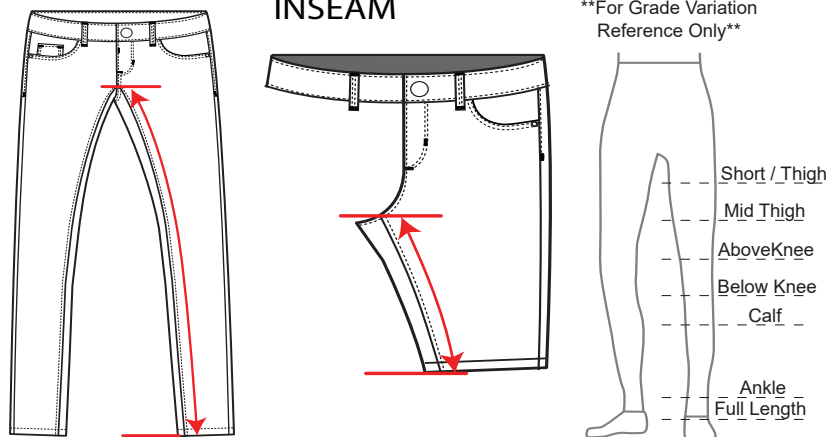


Measure along side seam from below waistband or bottom stitchline to edge of leg opening

**POM A500-01TH (Short / Thigh) - 02MT (Mid Thigh)
-03AK (Above Knee) -06BK (Below Knee) -07MC (Mid Calf)
-08A (Ankle) - 09P (Full Length)**

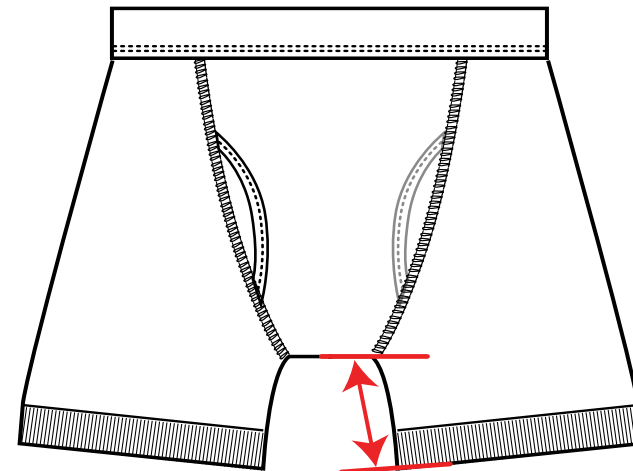
INSEAM

For Grade Variation Reference Only



Measure along seam from crotch point to edge of leg opening
FLAT FELLED SEAM: Measure from center of seam

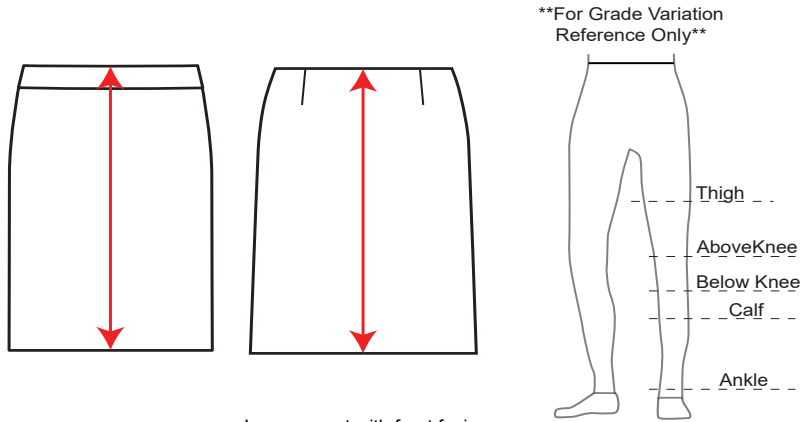
**POM A501 MN - A501 NG
INSEAM - MN**



Measure along seam from crotch point to fly panel seam to edge of leg opening

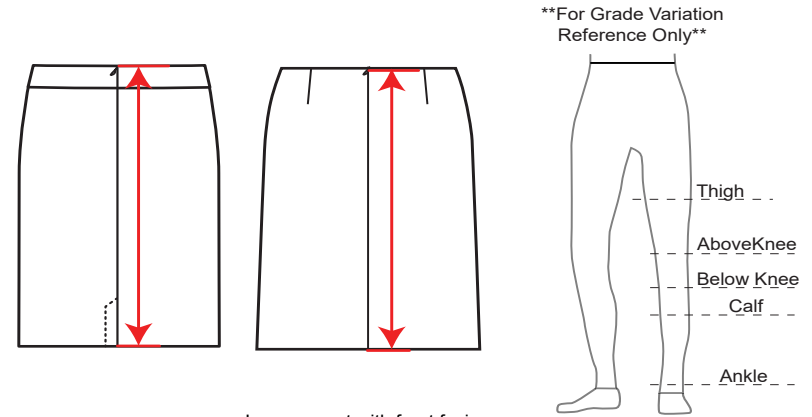
HOW TO MEASURE GUIDE FOR PRIVATE & EXCLUSIVE BRAND APPAREL

**POM A505, POM 505NG -02MT (Thigh) -03AK (Above Knee)
- 06BK (Below Knee) - 07MC (Calf) - 08A (Ankle)
SKIRT LENGTH CENTER FRONT TOP EDGE**



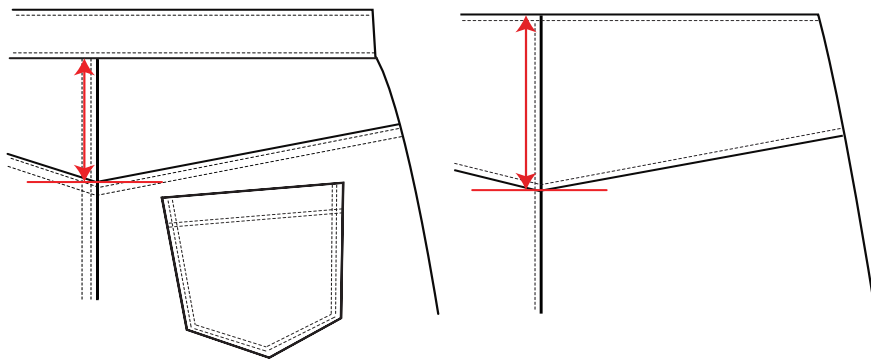
Lay garment with front facing you
Measure straight from top edge of waist to sweep edge at Center Front

**POM A506, POM 506NG -02MT (Thigh) -03AK (Above Knee)
- 06BK (Below Knee) - 07MC (Calf) - 08A (Ankle)
SKIRT LENGTH CENTER BACK TOP EDGE**



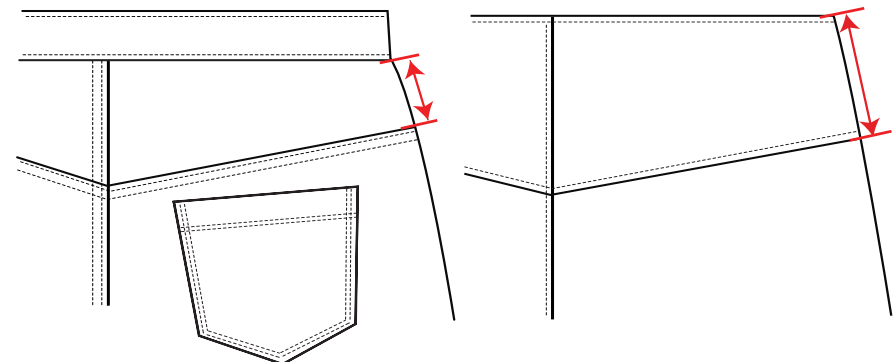
Lay garment with front facing you
Measure straight from top edge of waist to sweep edge at Center Back

**POM A510
YOKE HEIGHT AT CENTER BACK FROM
WAISTBAND SEAM OR TOP EDGE**



Measure straight from waistband seam or top edge (if no waistband) to yoke seam at center back
FLAT FELLED SEAMS: Measure to center of seam

**POM A511
YOKE HEIGHT AT SIDSEAM FROM
WAISTBAND SEAM OR TOP EDGE**

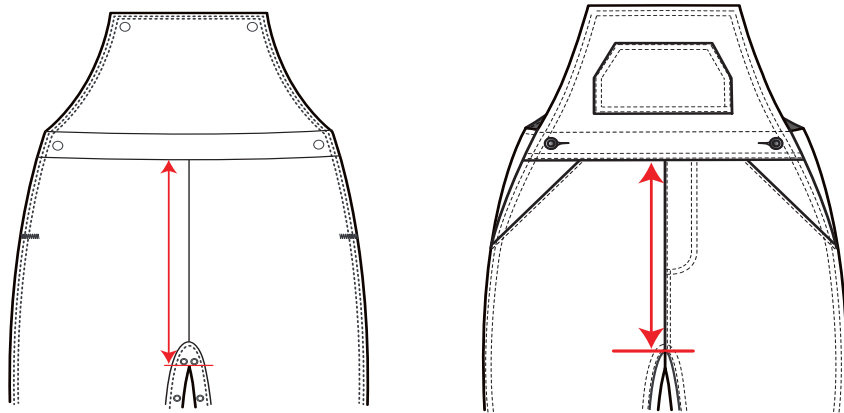


Measure straight from waistband seam or top edge (if no waistband) to yoke seam at side seam
FLAT FELLED SEAMS: Measure to center of seam

HOW TO MEASURE GUIDE

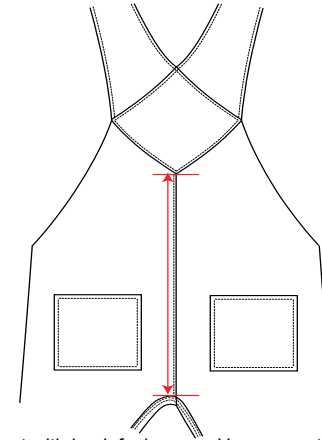
FOR PRIVATE & EXCLUSIVE BRAND APPAREL

POM A520
FRONT RISE - BIB OVERALL



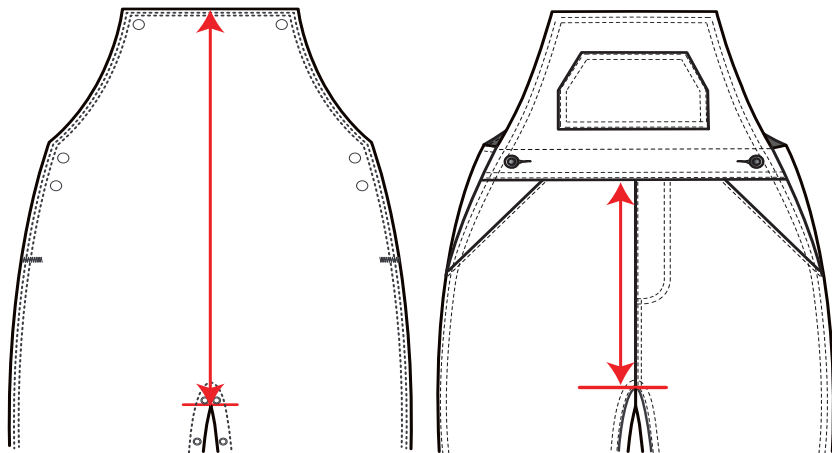
Unsnap crotch if applicable
Straighten rise seam without stretching
Measure along rise seam from waist seam to crotch seam or edge

POM A521
BACK RISE - BIB OVERALL



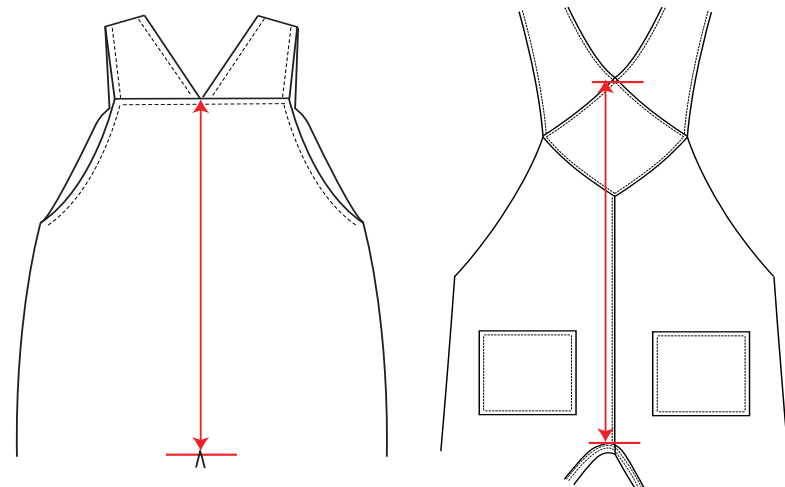
Lay garment with back facing you. Unsnap crotch, if applicable.
Straighten rise seam without stretching.
Measure along rise seam from waist seam or edge to crotch seam or edge.

POM A522
CENTER FRONT LENGTH - OVERALL OR ONE PIECE



Unsnap crotch if applicable
Straighten rise seam without stretching
Measure along rise seam from waist seam to crotch seam or edge

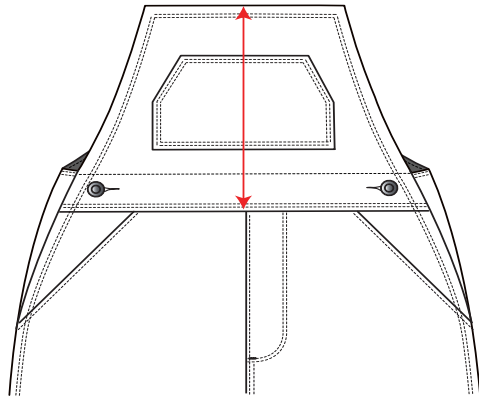
POM A523
CENTER BACK LENGTH - OVERALL OR ONE PIECE



Lay garment with back facing you. Unsnap crotch, if applicable.
Measure at Center Back from top edge to crotch edge or seam
Including yoke, if applicable

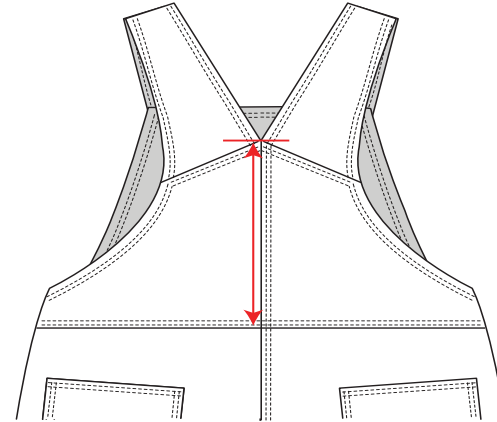
HOW TO MEASURE GUIDE FOR PRIVATE & EXCLUSIVE BRAND APPAREL

**POM A524
FRONT BIB HEIGHT-OVERALL**



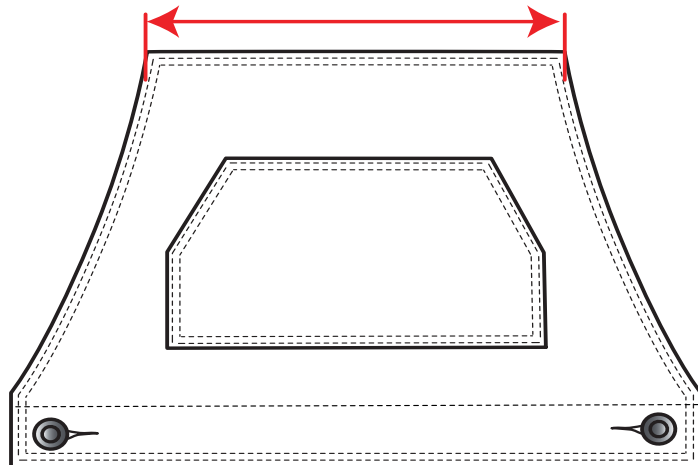
Measure straight from top edge to waist seam at Center Front

**POM A525
BACK BIB HEIGHT-OVERALL**



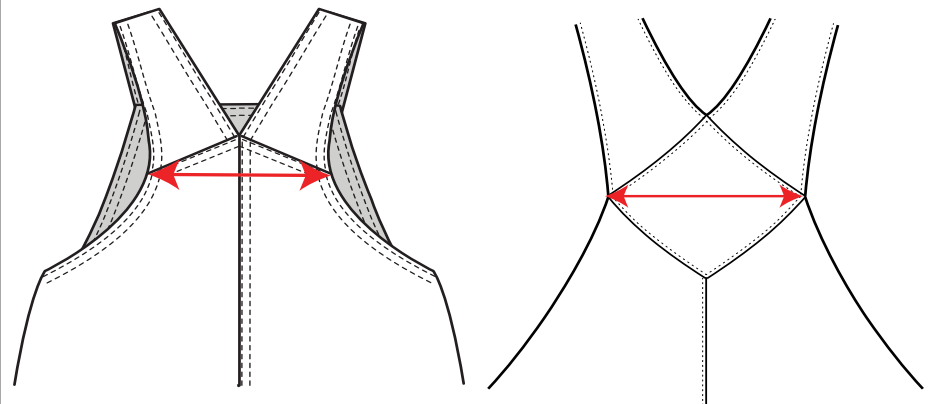
Measure straight from edge to bib seam or bottom stitchline at Center Back

**POM A526
FRONT BIB WIDTH AT TOP EDGE - OVERALL**



Measure straight from edge to edge at top edge of bib

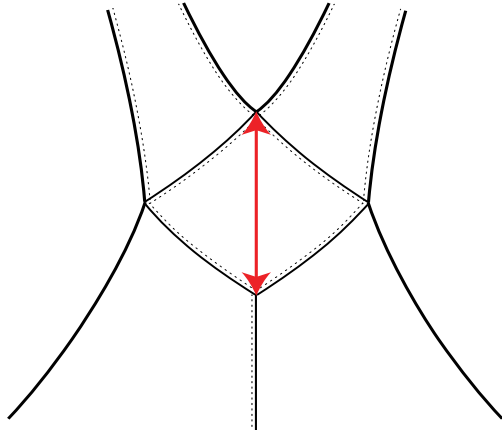
**POM A527
BACK BIB OR YOKE WIDTH - OVERALL**



Measure straight from armhole edge to edge at back strap intersection

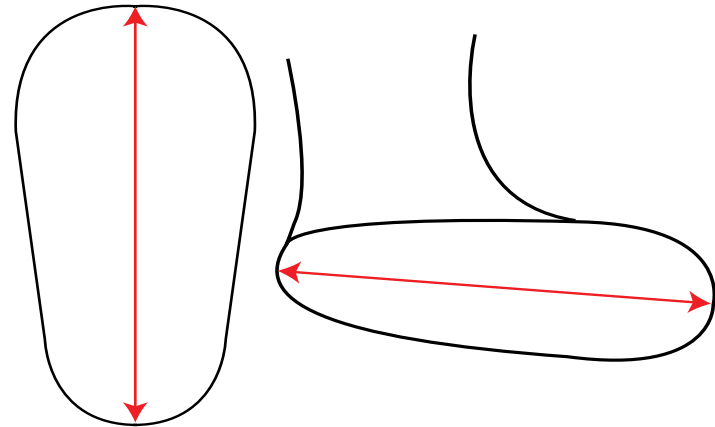
HOW TO MEASURE GUIDE FOR PRIVATE & EXCLUSIVE BRAND APPAREL

POM A528 BACK YOKE HEIGHT - OVERALL



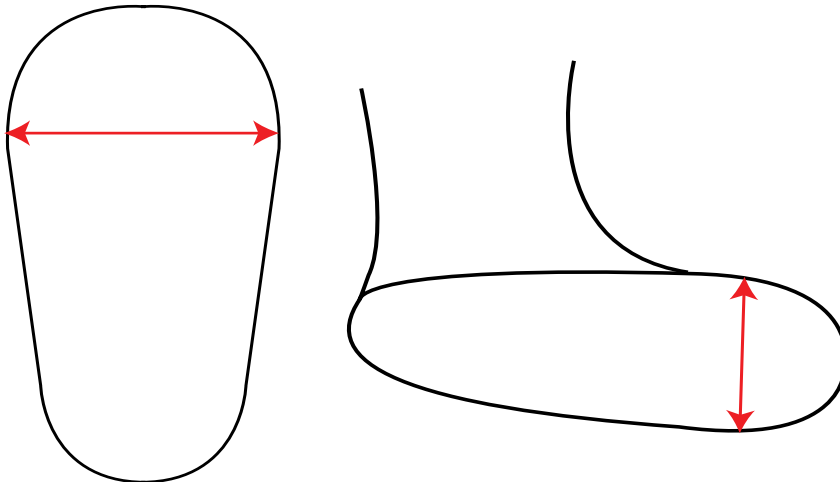
Measure straight from edge to seam at center of yoke

POM A530 SOLE LENGTH



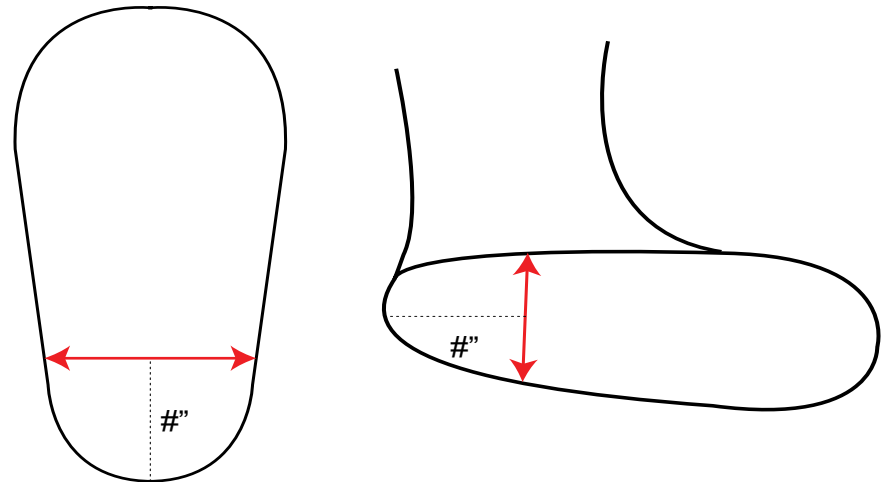
Lay the sole of the foot facing you
Measure straight from seam to seam at center of foot

POM A531 SOLE WIDTH AT WIDEST POINT



Lay the sole of the foot facing you
Measure straight from seam to seam at widest point of foot

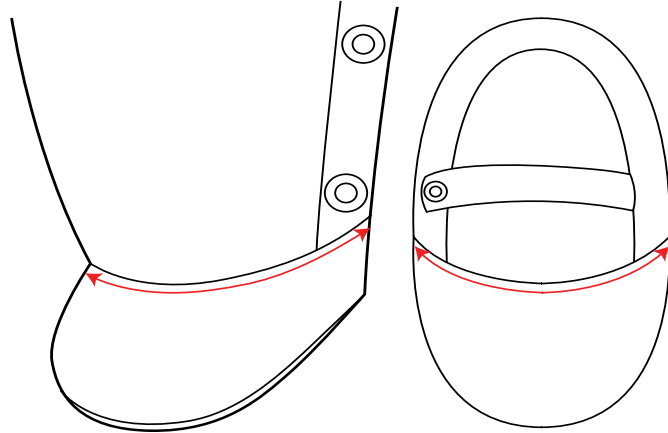
POM A531A SOLE WIDTH AT #'' FROM CENTER BACK SEAM



Lay the sole of the foot facing you
Measure straight from seam to seam at specified distance from back heel

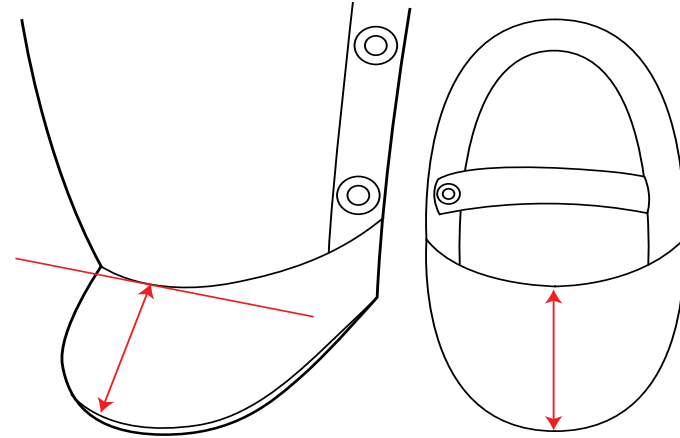
HOW TO MEASURE GUIDE FOR PRIVATE & EXCLUSIVE BRAND APPAREL

POM A532 TOE WIDTH



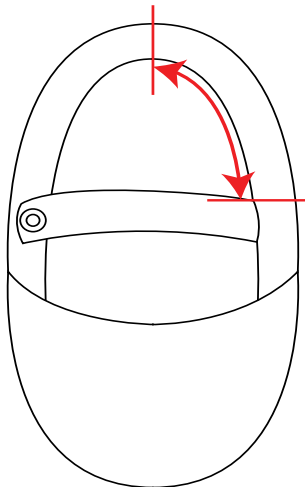
Lay the toe of the foot facing you
Measure along seam or edge from seam to seam

POM A533 TOE LENGTH



Lay the toe of the foot facing you
Measure straight at center of toe from toe to seam

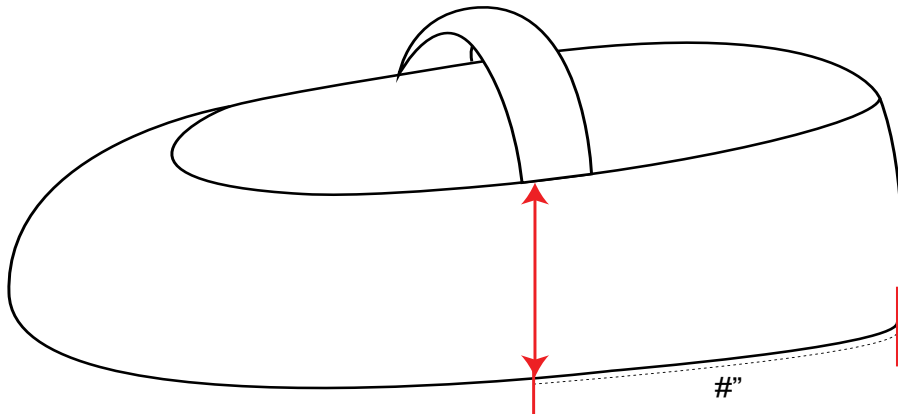
POM A534 STRAP PLACEMENT FOOT



Measure along curve from Center Back to strap joining seam

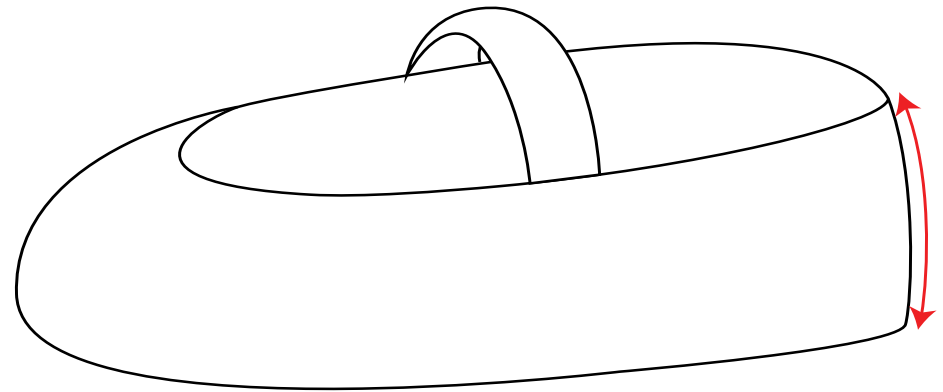
HOW TO MEASURE GUIDE FOR PRIVATE & EXCLUSIVE BRAND APPAREL

POM A535 SHOE HEIGHT #” FROM CENTER BACK AT SIDE



Lay the side of the shoe facing you
Measure straight from sole seam to top edge at specified distance from Center Back heel along sole seam

POM A536 HEAL HEIGHT

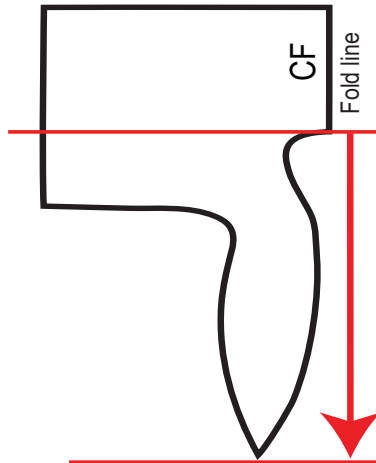


Measure straight from edge to seam at Center Back of heel

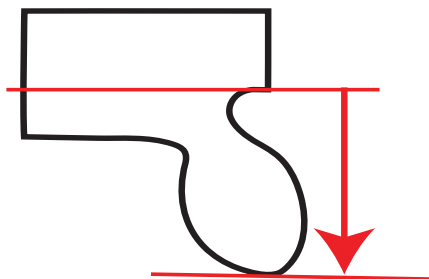
POM A539

UNKNOTTED TIE LENGTHS

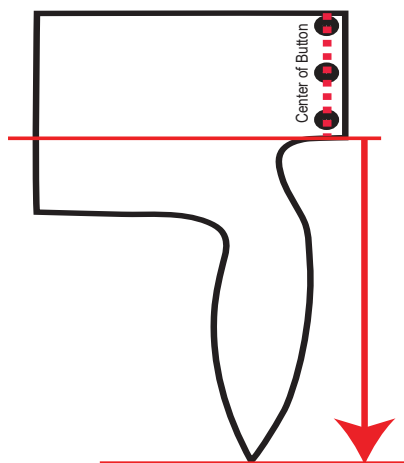
1. Ties at Center Front



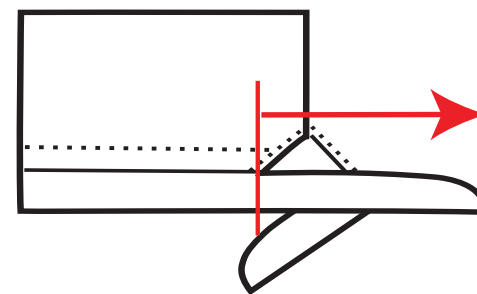
Curved Bottom Ties



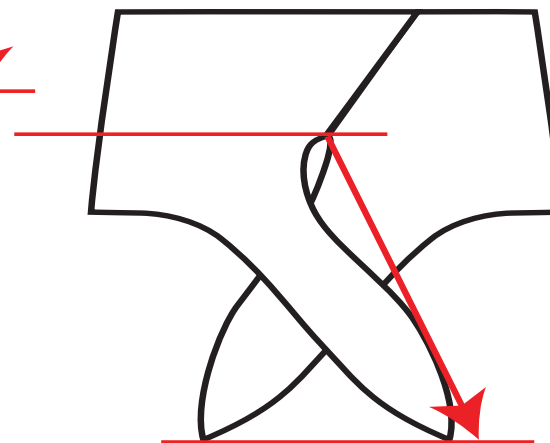
2. Button Front w/Ties



3. Sewn on Ties w/Slit



4. Seam W/Ties

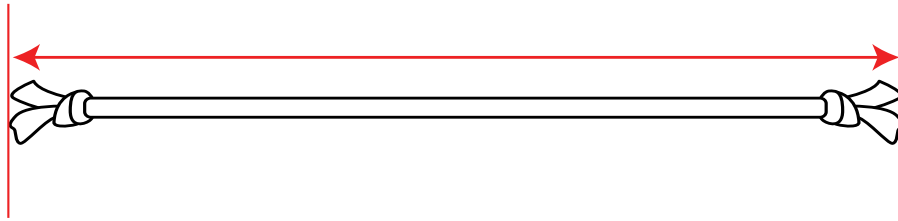


1. Ties at Center Front - Fold garment in half aligning side seam and hem. Place ruler Perpendicular to Center front. Place ruler Perpendicular to Center front.
 2. Button Front w/Ties - Button and Buttonholes are the center front of garment. Place ruler Perpendicular to Center front. Place ruler Perpendicular to Center front.
 3. Sewn on Ties w/Slits- Measure from slit and seam to end of tie
 4. Seam w/Ties - Measure from end of seam to end of tie
- NOTE: Measure to longest point of tie or lowest point of tie curve.

HOW TO MEASURE GUIDE

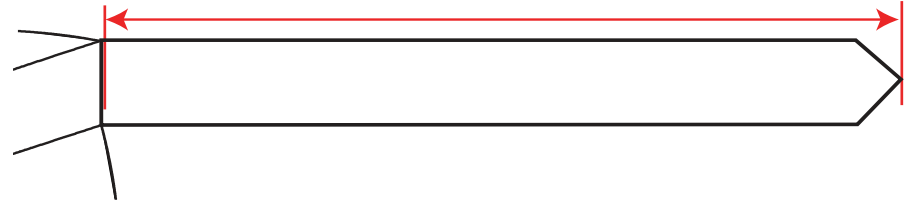
FOR PRIVATE & EXCLUSIVE BRAND APPAREL

POM A540 NG
DRAWCORD LENGTH - FULL CIRCUMFERENCE



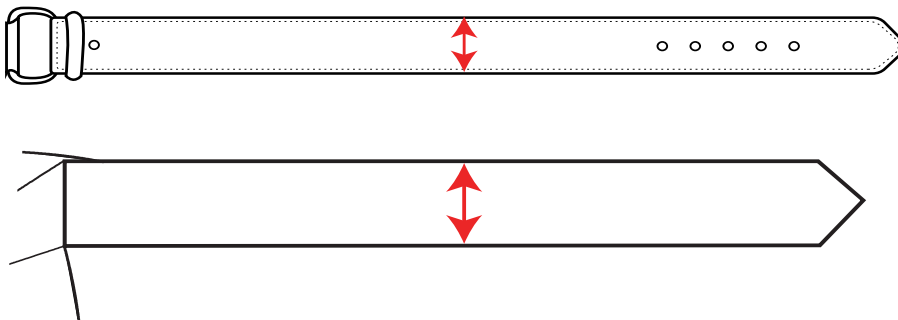
Measure along drawcord from finished end to end, with ends knotted, if applicable

POM A541
TAB/TIE LENGTH



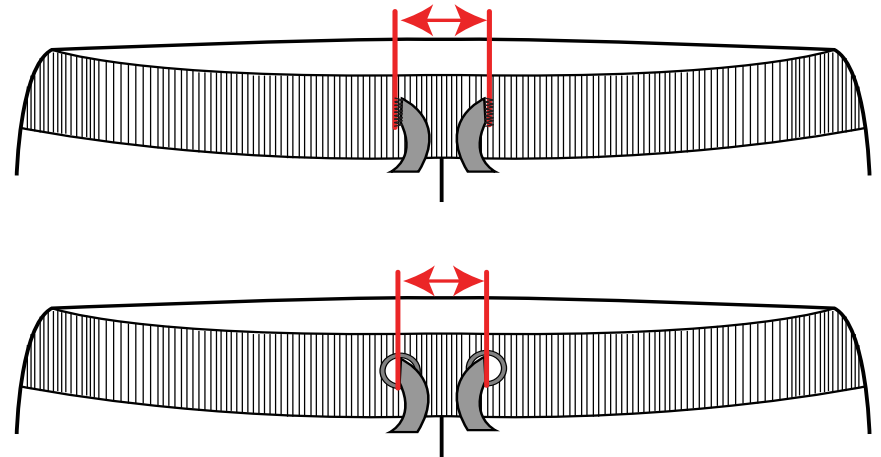
Measure straight from seam to edge at center of tab/tie, not including hardware

POM A542
BELT/TAB/TIE WIDTH



Measure straight from seam or edge to edge at center of belt

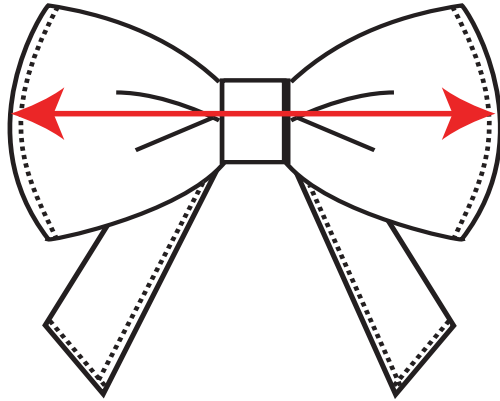
POM A543
BTNHOLE OR EYELET APART



Measure straight from center to center of buttonholes/eyelets

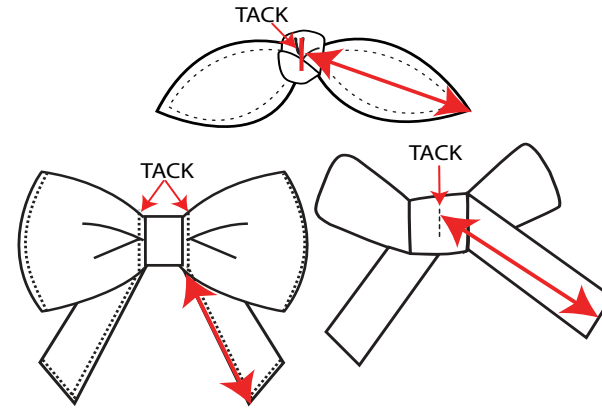
HOW TO MEASURE GUIDE FOR PRIVATE & EXCLUSIVE BRAND APPAREL

POM A544 BOW WIDTH ADULTS ONLY



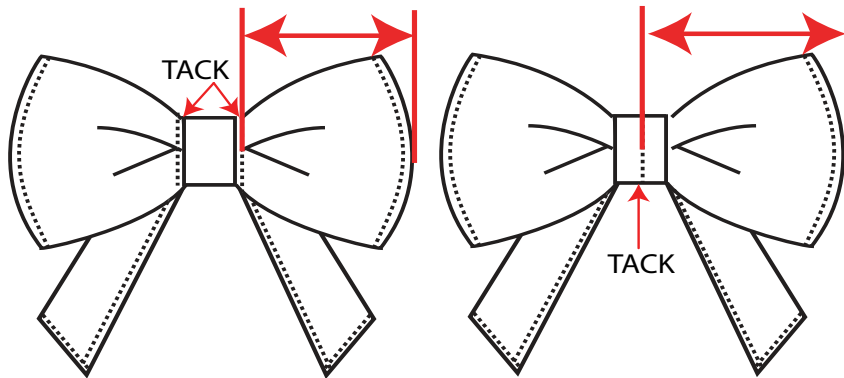
With bow tied, measure straight across bow at widest point of loops

POM A544A BOW TAIL & KNOTTED LENGTH



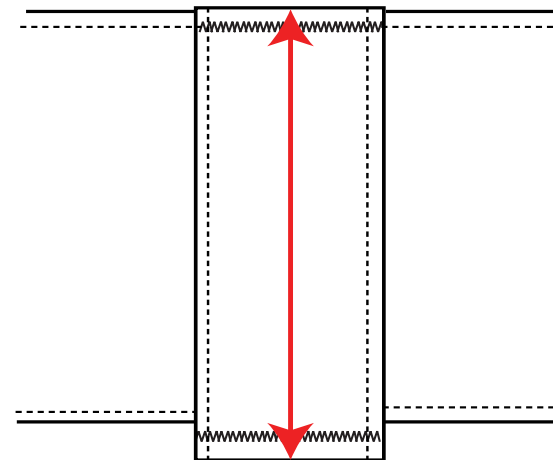
With bow tied, measure straight from tack to end of tail
With ties knotted, measure straight from tack to end of tail

POM A544B BOW LOOP LENGTH



With bow tied, measure straight from tack to widest point of bow loop

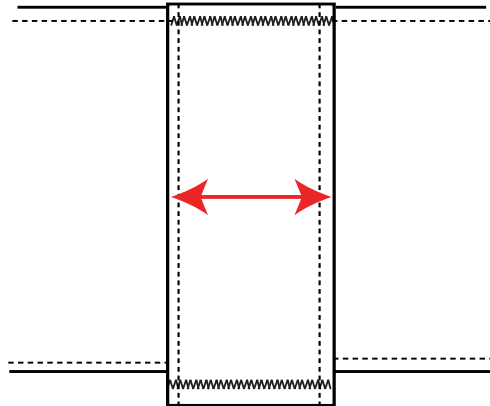
POM A545 BELT LOOP HEIGHT



Measure straight from edge to edge at center of belt loop

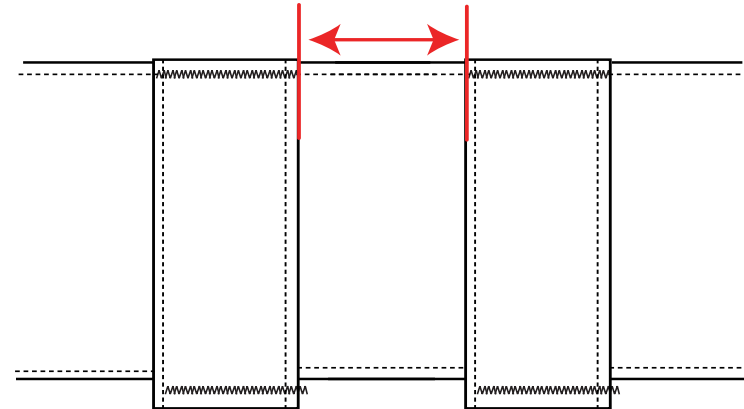
HOW TO MEASURE GUIDE FOR PRIVATE & EXCLUSIVE BRAND APPAREL

**POM A546
BELT LOOP WIDTH**



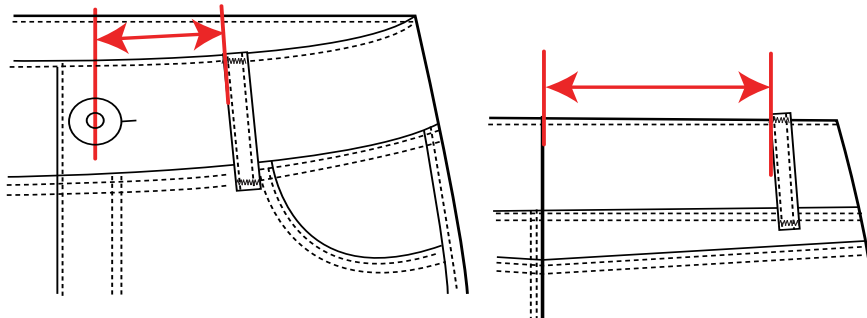
Measure straight from edge to edge at center of belt loop

**POM A547
BELT LOOPS APART**



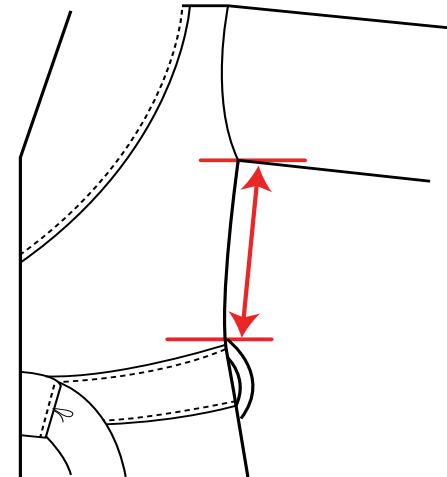
Measure the distance between the belt loops from inside edge to edge at top of belt loops

**POM A548
BELT LOOP FROM CENTER FRONT OR BACK
AT TOP EDGE**



Measure at top edge of waist from center front or center back to inside edge of belt loop

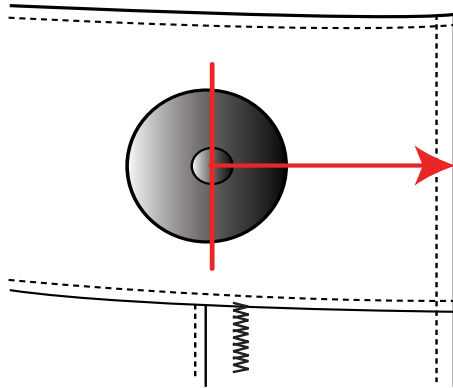
**POM A549
BELT LOOP FROM UNDERARM**



Measure straight from underarm point to top of belt loop

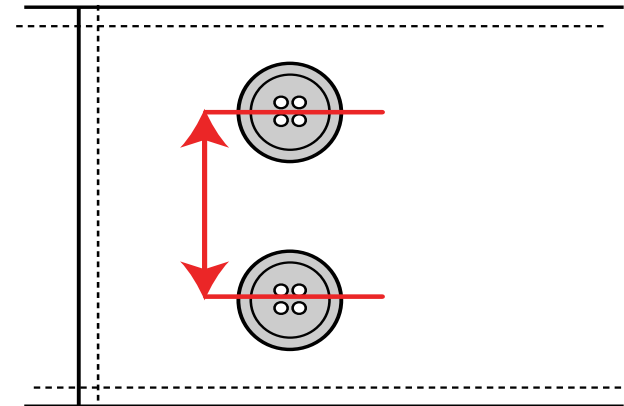
HOW TO MEASURE GUIDE FOR PRIVATE & EXCLUSIVE BRAND APPAREL

POM A551 BUTTON OR SNAP PLACEMENT FROM EDGE OR SEAM



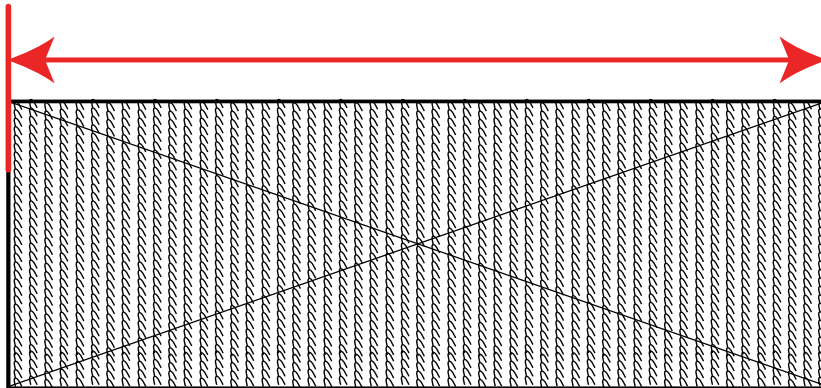
Measure straight from center of snap or button edge or seam

POM A553 BTTN/SNAP APART



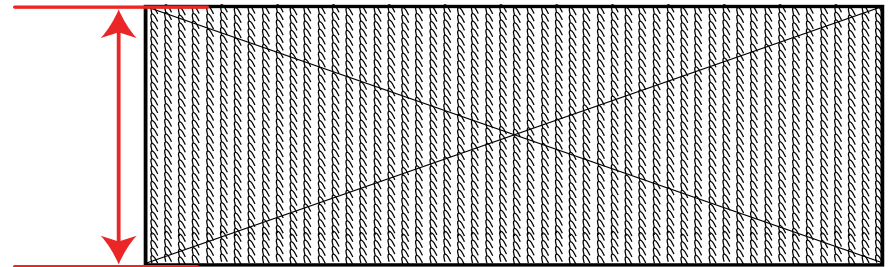
Measure the distance between the center of the buttons or snaps

POM A555 HOOK & LOOP WIDTH



Measure straight from edge to edge at center of hook & loop

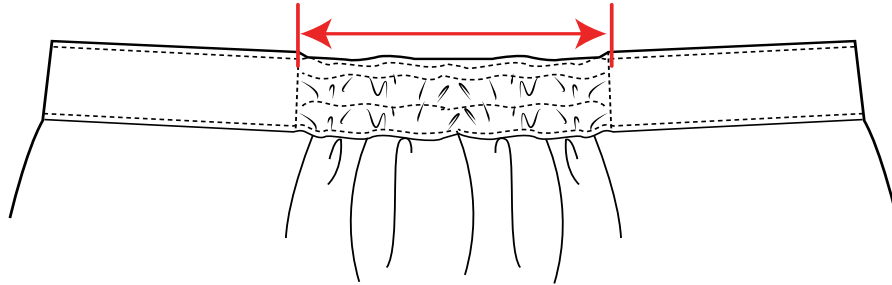
POM A555A HOOK & LOOP HEIGHT



Measure straight from edge to edge at center of hook & loop

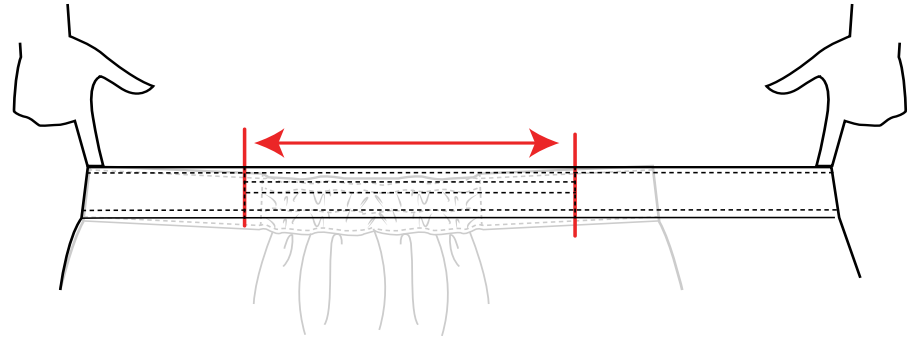
HOW TO MEASURE GUIDE FOR PRIVATE & EXCLUSIVE BRAND APPAREL

**POM A556
ELASTIC LENGTH RELAXED**



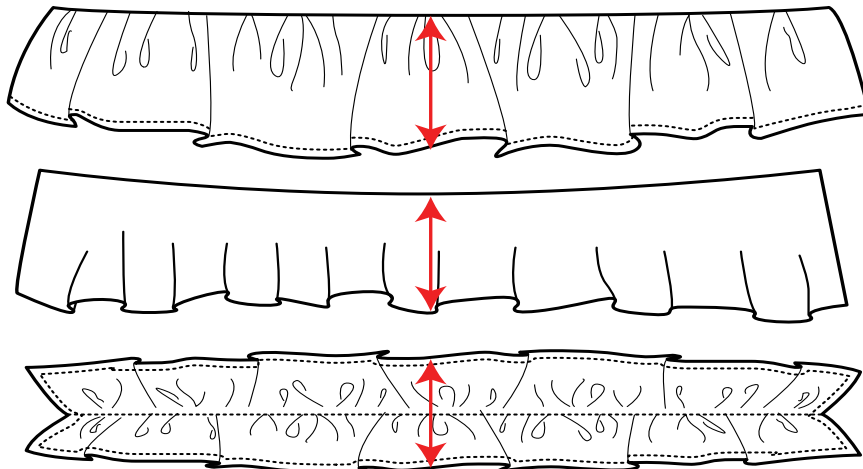
Measure straight from stitchline to stitchline at center

**POM A556A
ELASTIC LENGTH EXTENDED**



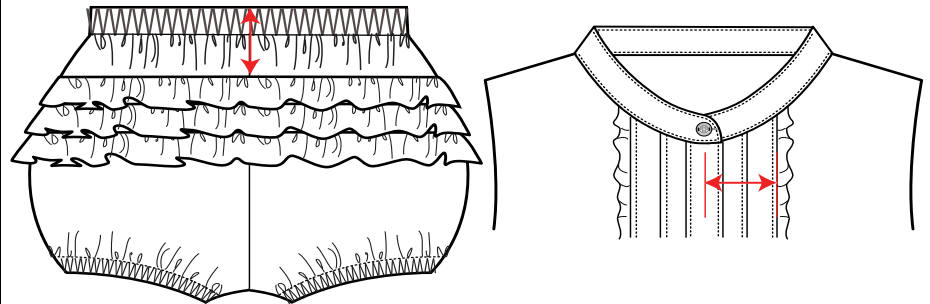
Using your index fingers, extend the elastic to maximum width without breaking stitches
Measure straight from stitchline to stitchline at top edge

**POM A557
RUFFLE OR FLOUNCE HEIGHT**



Measure straight from ruffle seam to edge
RUFFLE STITCHED THROUGH CENTER: Measure edge to edge

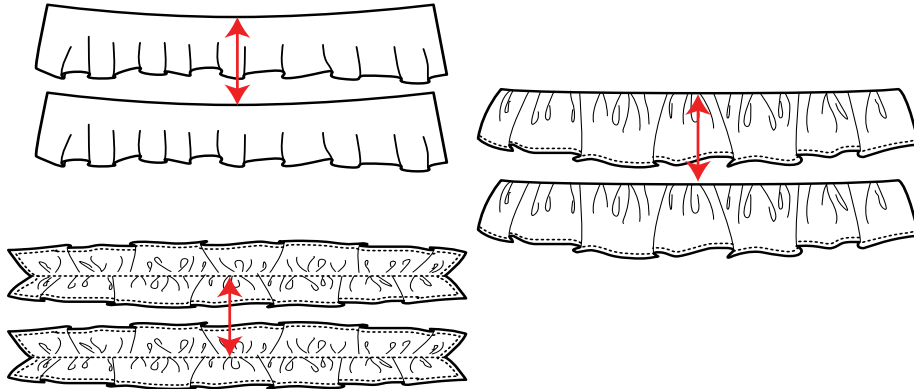
**POM A558
RUFFLE OR FLOUNCE PLACEMENT**



Measure straight from edge or seam to ruffle seam

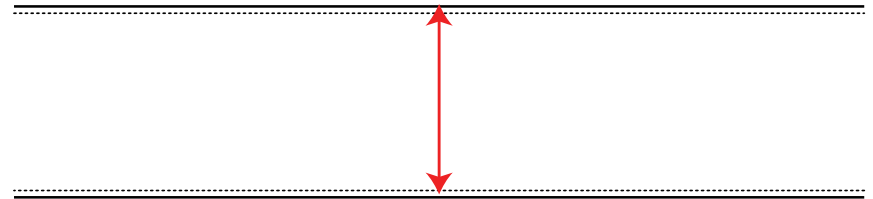
HOW TO MEASURE GUIDE FOR PRIVATE & EXCLUSIVE BRAND APPAREL

**POM A559
RUFFLES APART**



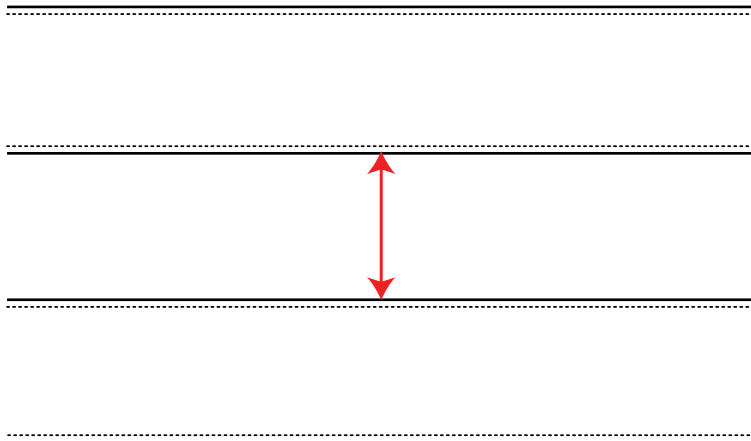
Measure straight from ruffle seam to seam or center stitchline to stitchline

**POM A560
PIECE OR STRIPE WIDTH - HEIGHT**



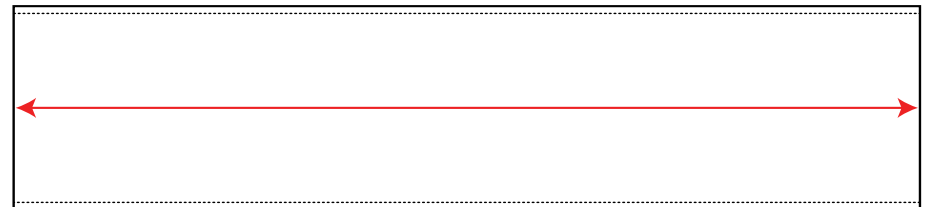
Measure straight from edge of piece or stripe

**POM A561
PIECE OR STRIPE APART**



Measure the distance between the pieces or stripes

**POM A562
PIECE OR STRIPE LENGTH**

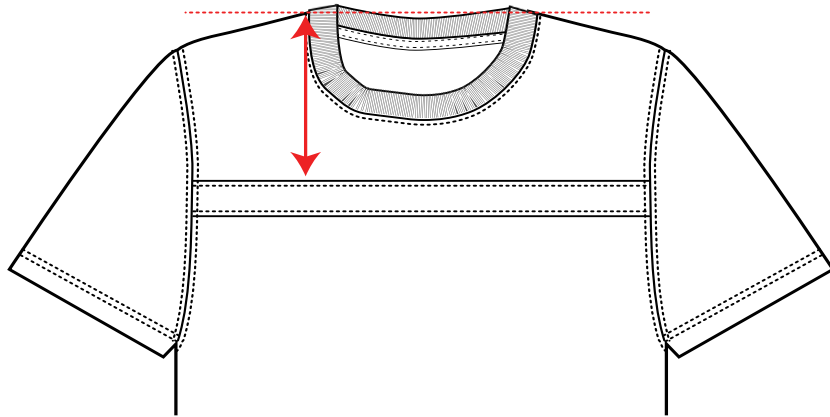


Measure straight from edge to edge of piece or stripe

HOW TO MEASURE GUIDE

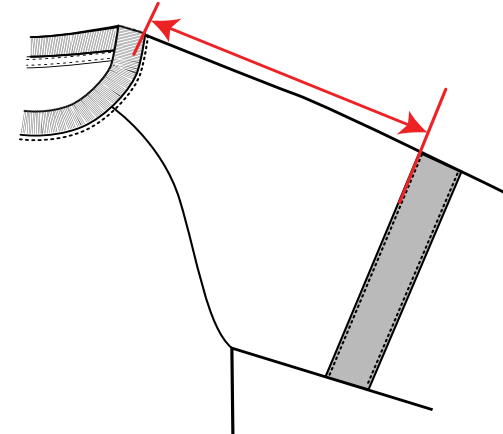
FOR PRIVATE & EXCLUSIVE BRAND APPAREL

POM A563
PIECE OR STRIPE FROM HIGH POINT OF SHOULDER



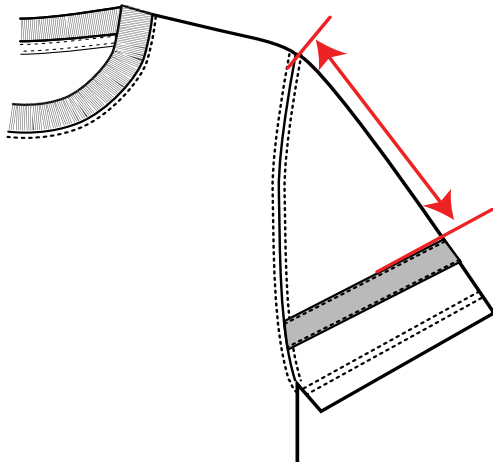
Measure straight from HPS to top edge of piece or stripe on body

POM A563A
PIECE OR STRIPE FROM HIGH POINT OF SHOULDER



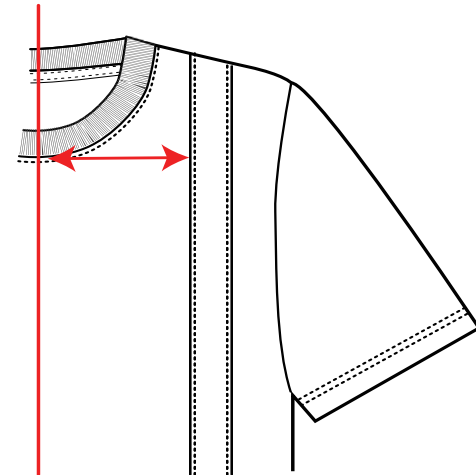
Measure straight from High Point Shoulder/Neck Seam intersection to top edge of piece or stripe on sleeve

POM A564
PIECE OR STRIPE FROM SHOULDER POINT



Measure straight from shoulder seam to top edge of piece or stripe

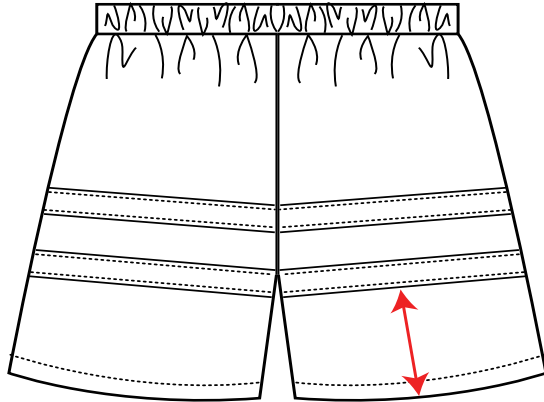
POM A565
PIECE OR STRIPE FROM CENTER FRONT



Measure straight from Center Front to inside edge of piece or stripe

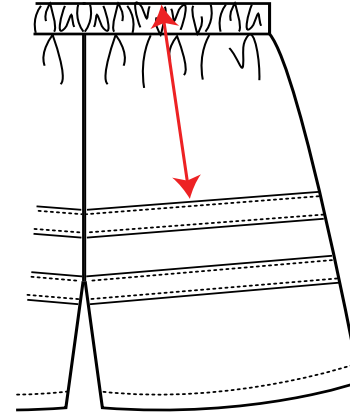
HOW TO MEASURE GUIDE FOR PRIVATE & EXCLUSIVE BRAND APPAREL

**POM A566
PIECE OR STRIPE FROM HEM**



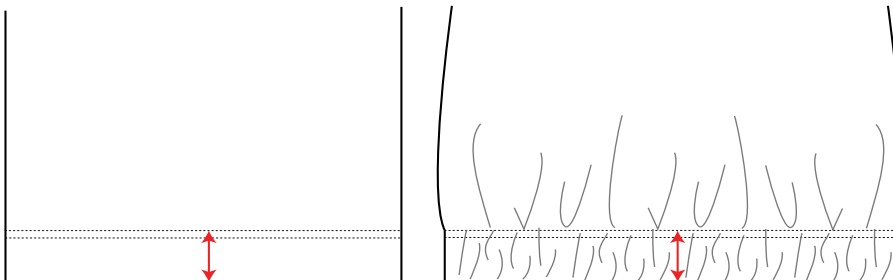
Measure straight from bottom edge of piece or stripe to edge at center of opening

**POM A567
PIECE OR STRIPE FROM TOP EDGE**



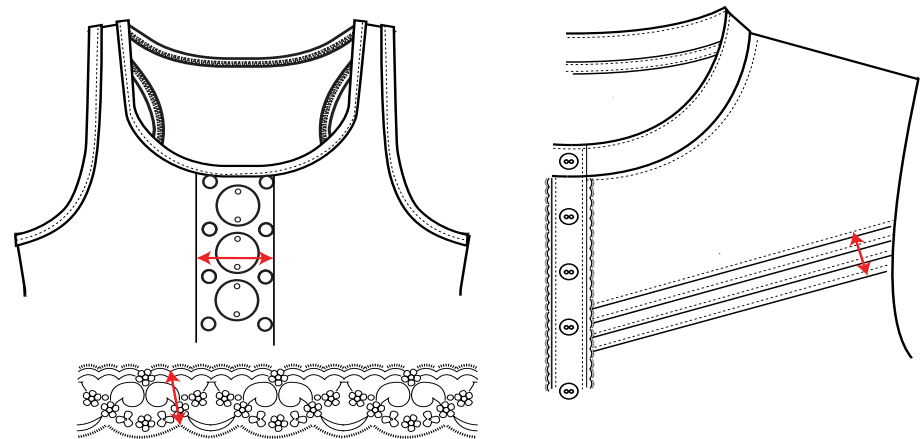
Measure straight from top edge of waistband to top edge of piece of stripe

**POM A568
BOTTOM HEM/TRIM HEIGHT**



Measure straight from top stitchline/seam to bottom edge

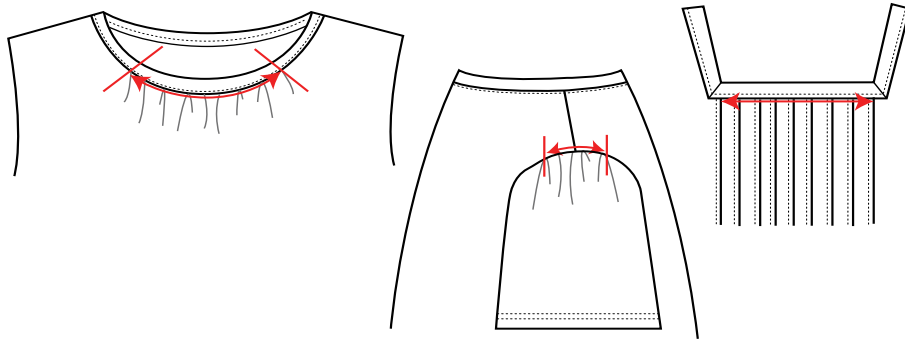
**POM A569
TRIM HEIGHT/WIDTH**



Measure straight from edge to edge
Lace is measured from low point of scallop to low point scallop

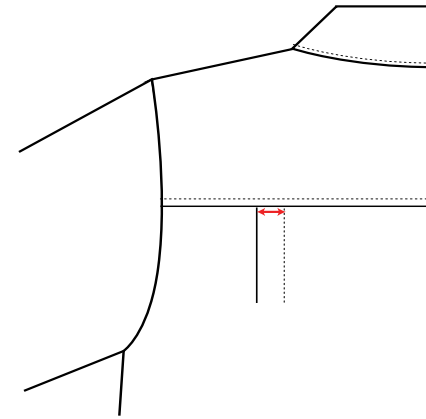
HOW TO MEASURE GUIDE FOR PRIVATE & EXCLUSIVE BRAND APPAREL

POM A570 SHIRRING OR PLEATS WIDTH



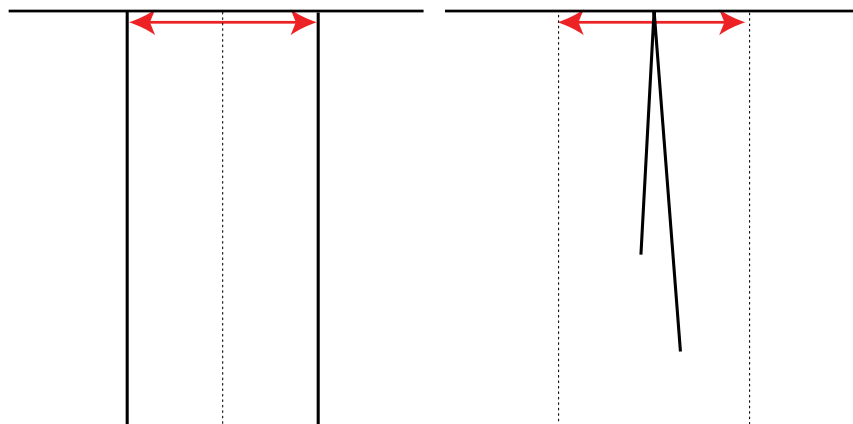
Measure along seam from beginning to end of shirring or pleats

POM A571 PLEAT OR TUCK DEPTH



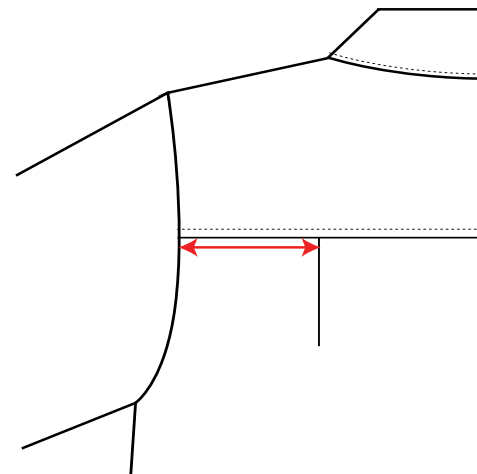
Measure straight at seam edge to inner fold of pleat

POM A572 PLEAT DEPTH-BOX OR INVERTED PLEAT



Measure straight from fold to fold pleat

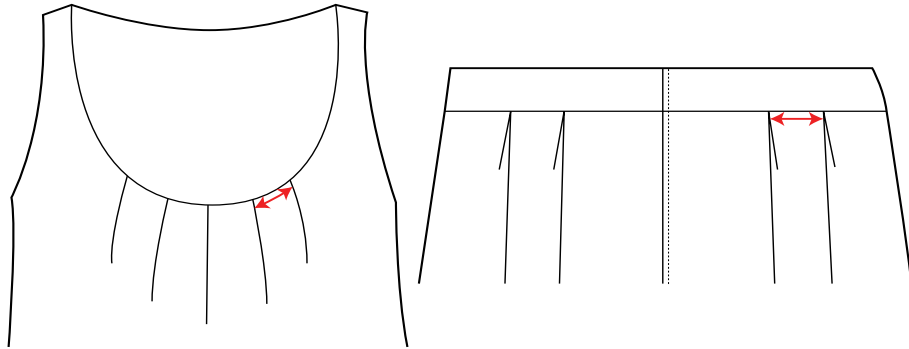
POM A573 PLEAT FROM ARMHOLE



Measure along yoke seam from armhole to edge of pleat

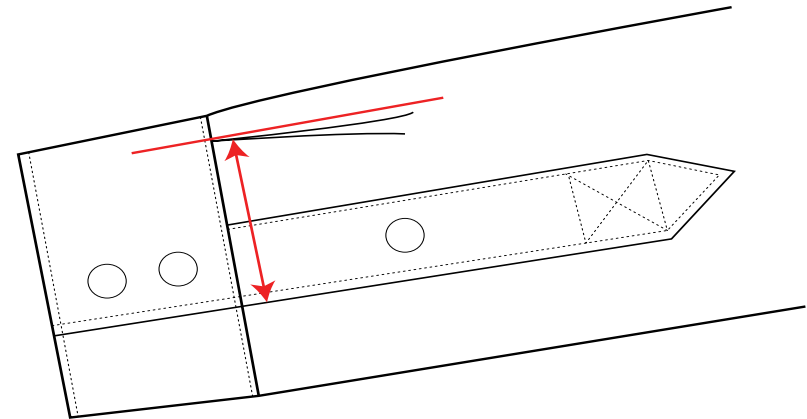
HOW TO MEASURE GUIDE FOR PRIVATE & EXCLUSIVE BRAND APPAREL

**POM A574
PLEAT APART**



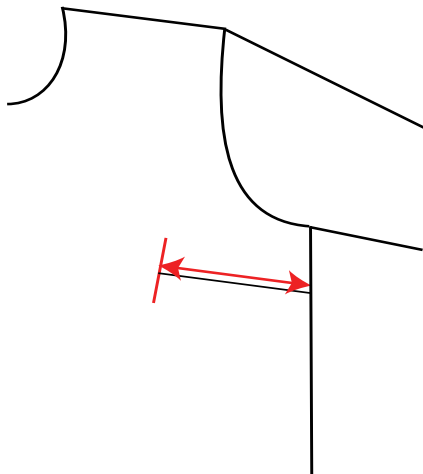
Measure the distance between the pleats on one side of garment from edge to edge at seam

**POM A575
SLEEVE PLEAT FROM EDGE OR SEAM**



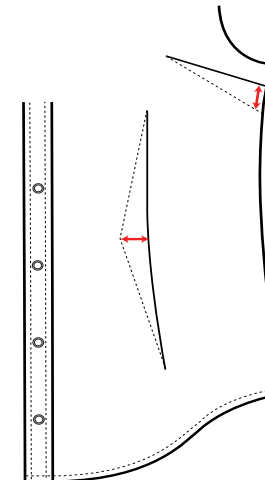
Measure along cuff seam from vent or placket edge to edge of pleat

**POM A576, A576 NG, A576A (Bust Dart Length)
DART LENGTH**



Measure along dirt from end to end

**POM A576B
DART DEPTH**

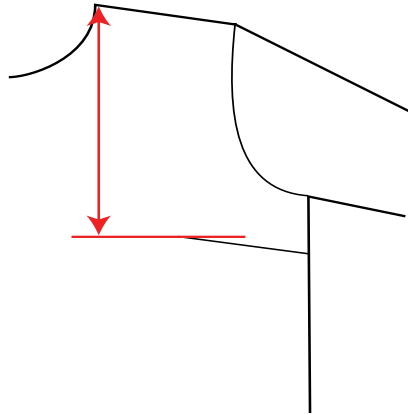


Measure from dart seam to dart fold at widest point

HOW TO MEASURE GUIDE

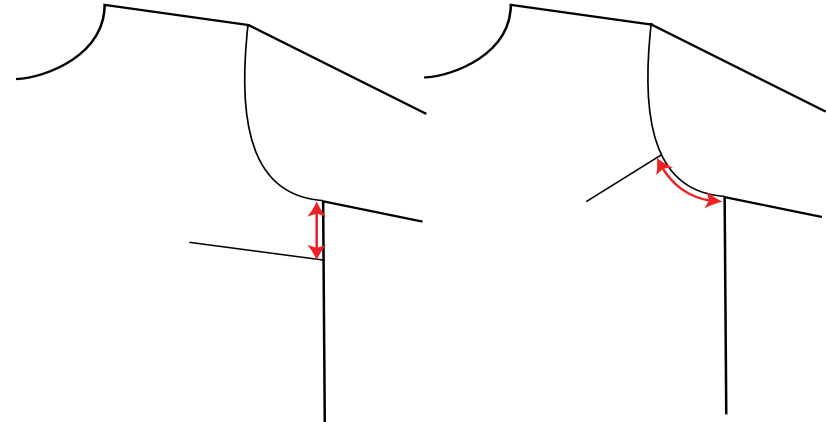
FOR PRIVATE & EXCLUSIVE BRAND APPAREL

POM A576C
DART APEX PLACEMENT FROM HIGH POINT OF SHOULDER



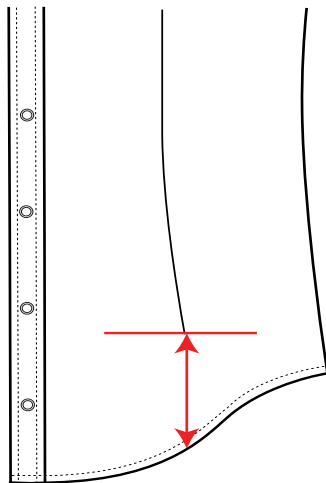
Measure straight from high point of shoulder to horizontal imaginary line at end of dart

POM A576D
BUST DART PLACEMENT



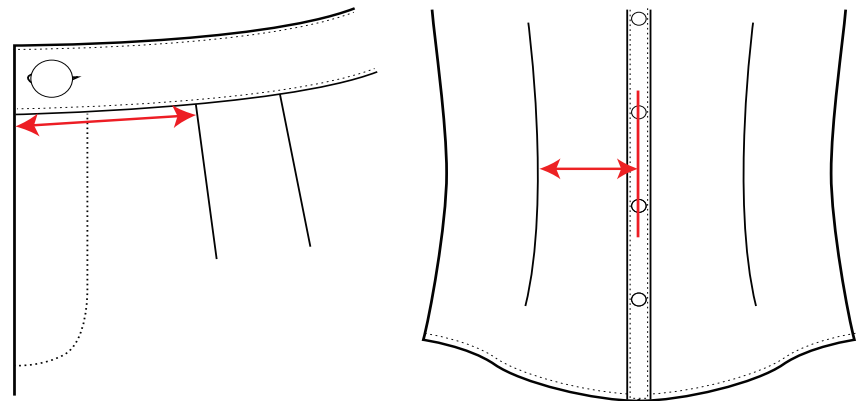
Measure from underarm point along sideseam or armhole seam to dart

POM A576E
DART PLACEMENT FROM BOTTOM EDGE



Measure straight from bottom edge of garment to end of dart

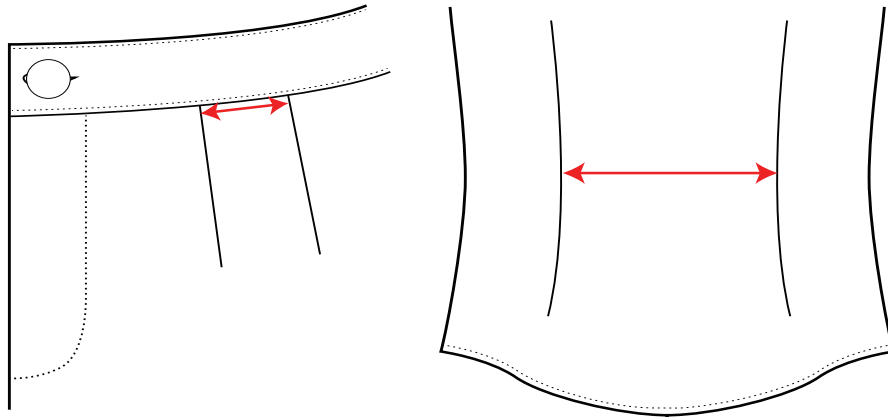
POM A576F
DART FROM CENTER FRONT OR CENTER BACK AT WAIST



Measure from Center Front or Center Back to dart at waist

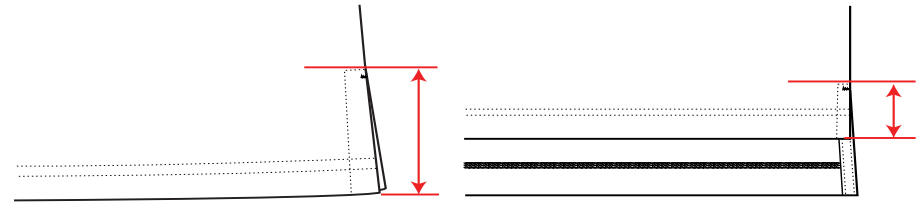
HOW TO MEASURE GUIDE FOR PRIVATE & EXCLUSIVE BRAND APPAREL

**POM A576G
DARTS APART AT WAIST**



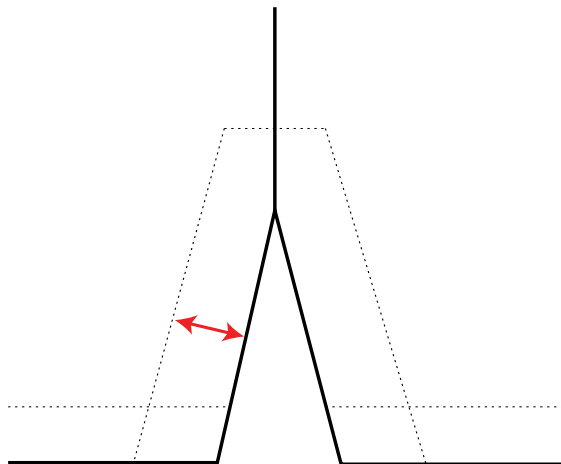
Measure from dart to dart at waist

**POM A577
VENT/SLIT HEIGHT**



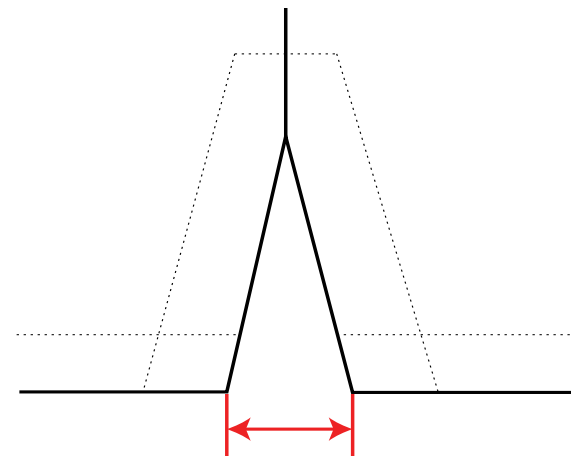
Measure straight from top of vent/slit opening to edge
DROP TAIL - measure to front edge

**POM A577A
VENT/SLIT WIDTH**



Measure straight from stitchline to edge

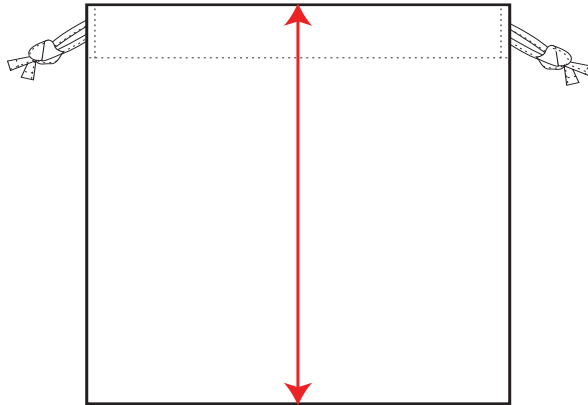
**POM A577B
VENT/SLIT OPENING WIDTH**



Measure straight from edge to edge at widest point of slit or vent opening

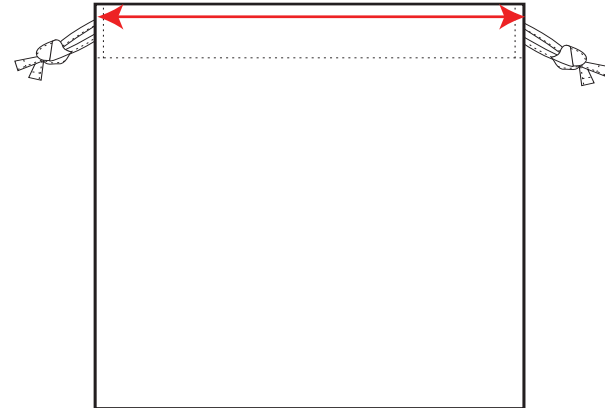
HOW TO MEASURE GUIDE FOR PRIVATE & EXCLUSIVE BRAND APPAREL

**POM A578
BAG HEIGHT**



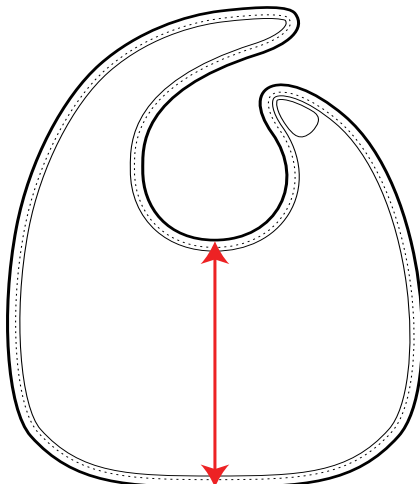
Measure straight from edge to edge at center of bag

**POM A579
BAG WIDTH**



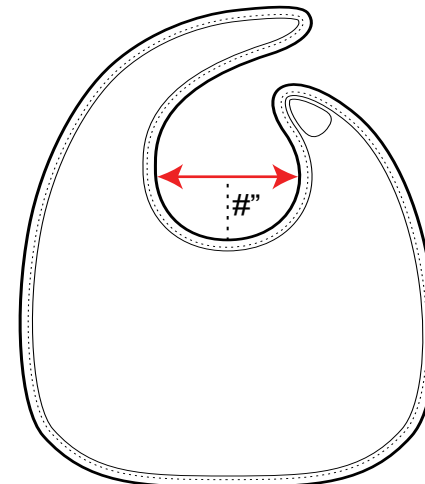
Measure straight from edge to edge at top edge of bag

**POM A580
BIB HEIGHT**



Measure straight from edge to edge at center of bib

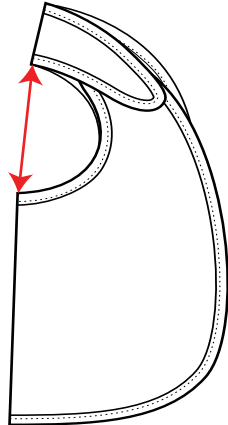
**POM A581
BIB NECK WIDTH #” FROM CENTER FRONT EDGE**



Measure straight from edge to edge as specified from center front neck edge

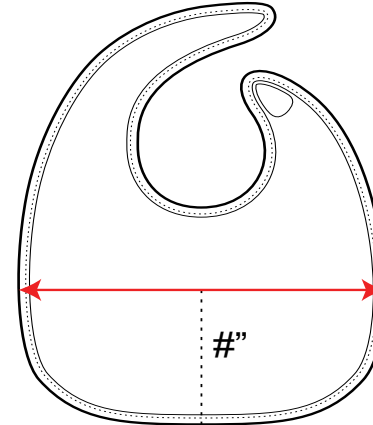
HOW TO MEASURE GUIDE FOR PRIVATE & EXCLUSIVE BRAND APPAREL

**POM A582
BIB TOTAL NECK DROP**



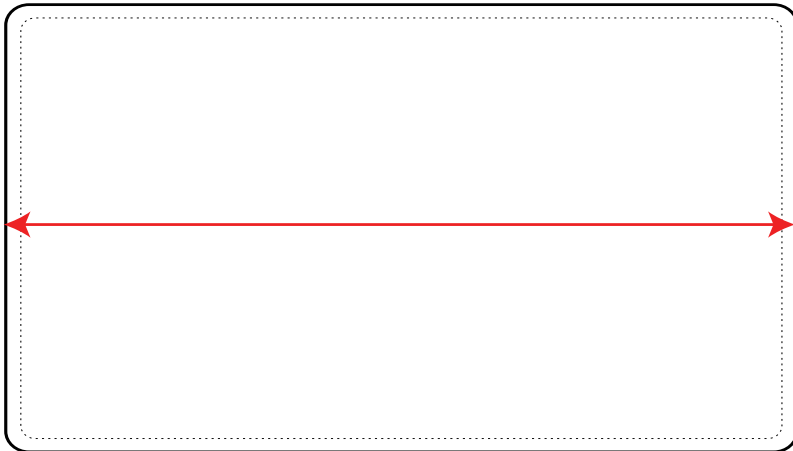
Fold bib in half with closures fastened
Measure straight from edge to edge at neck opening

**POM A583
BIB WIDTH #” FROM BOTTOM EDGE**



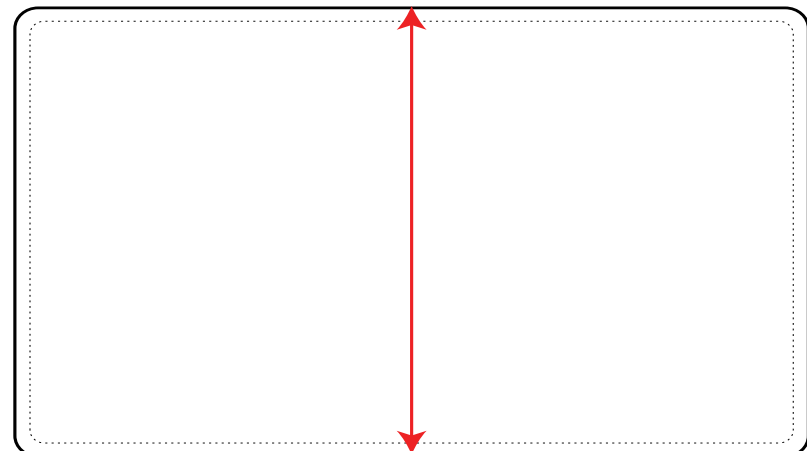
Measure straight from edge to edge as specified from bottom edge

**POM A585
BLANKET LENGTH**



Measure straight from edge to edge on longest length of blanket

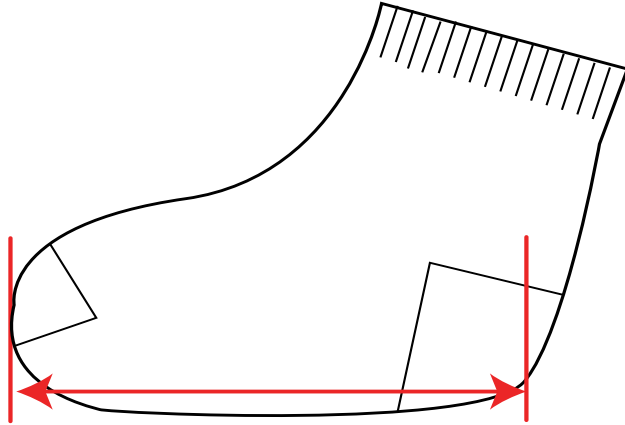
**POM A586
BLANKET WIDTH**



Measure straight from edge to edge on shortest length of blanket

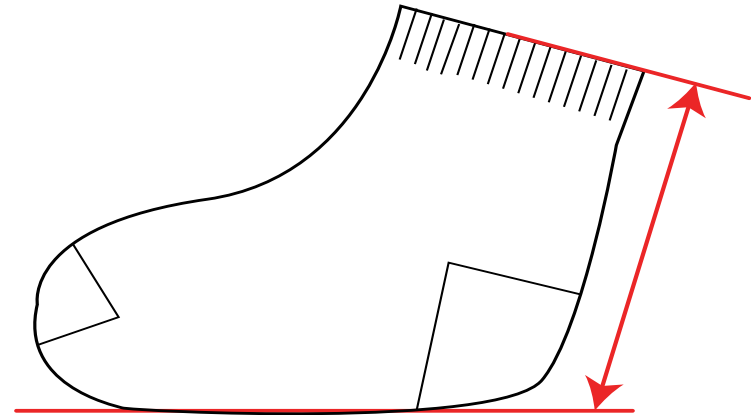
HOW TO MEASURE GUIDE FOR PRIVATE & EXCLUSIVE BRAND APPAREL

**POM A587-A587 NG
SOCK LENGTH**



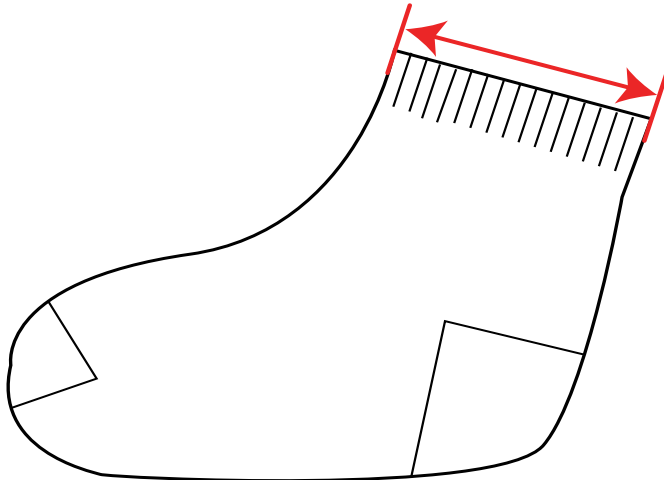
Measure straight at bottom of sock from center of heel to a perpendicular imaginary line at edge of toe

**POM A588-A588 NG
SOCK HEIGHT**



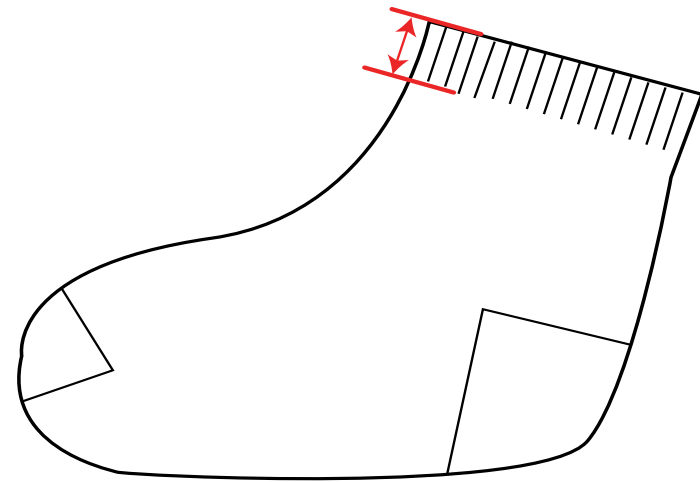
Measure straight at back of sock from heel to edge of opening

**POM A589H-A589H NG
SOCK OPENING 1/2 MEASUREMENT**



Measure straight from edge to edge of opening

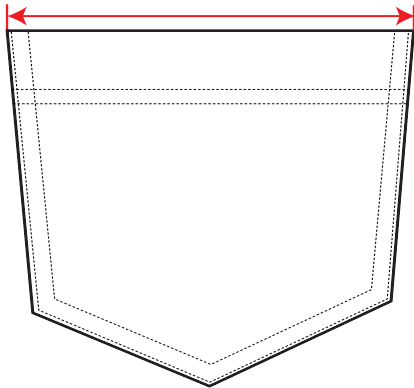
**POM A590-A590 NG
SOCK HEM HEIGHT**



Measure straight from stitchline to edge

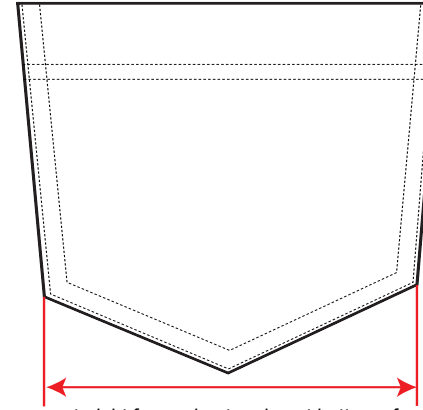
HOW TO MEASURE GUIDE FOR PRIVATE & EXCLUSIVE BRAND APPAREL

**POMA600, A600NG, A600BK(BACK HIP), A600CG(CARGO),
A600CH(CHEST), A600CN(COIN), A600FB(FRONT BIB),
A600OW(OUTERWEAR) POCKET WIDTH AT TOP EDGE**



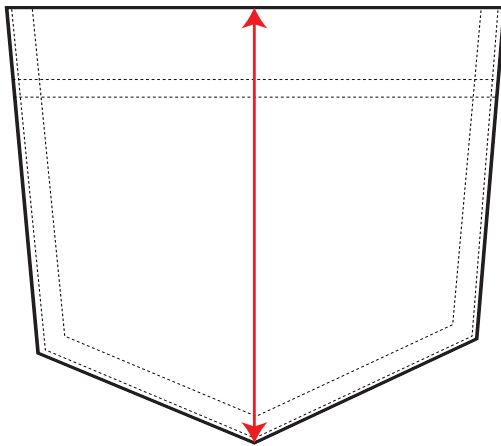
Measure straight from edge to edge at top of pocket

**POMA601, A601NG, A601BK(BACK HIP), A601CG(CARGO),
A601CH(CHEST), A601CN(COIN), A601FB(FRONT BIB),
A601OW(OUTERWEAR) POCKET WIDTH AT BOTTOM**



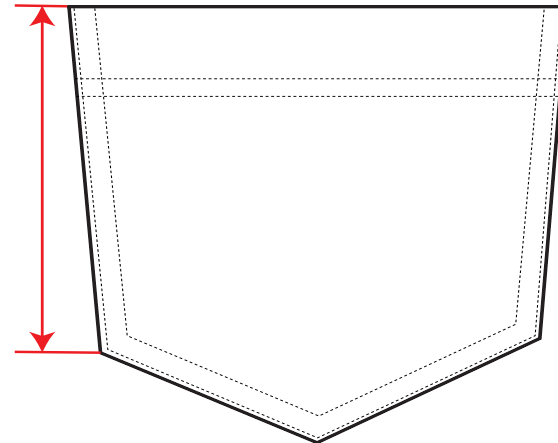
Measure straight from edge to edge at bottom of pocket

**POMA602, A602NG, A602BK(BACK HIP), A602CG(CARGO),
A602CH(CHEST), A602CN(COIN), A602FB(FRONT BIB),
A602OW(OUTERWEAR) POCKET HEIGHT AT CENTER**



Measure straight from edge to edge at center of pocket

**POMA603, A603NG, A603BK(BACK HIP), A603CG(CARGO),
A603CH(CHEST), A603CN(COIN), A603FB(FRONT BIB),
A603OW(OUTERWEAR) POCKET HEIGHT AT SIDE**

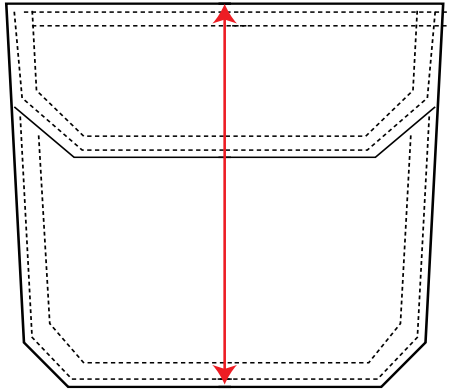


Measure straight from edge to edge at side of pocket

HOW TO MEASURE GUIDE

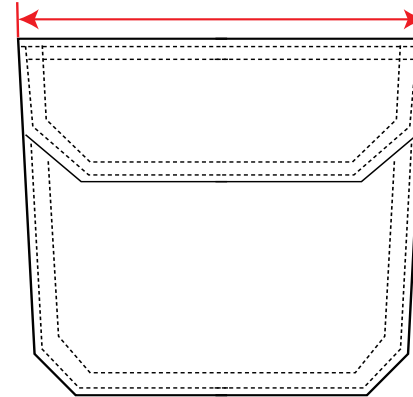
FOR PRIVATE & EXCLUSIVE BRAND APPAREL

POMA604, A604NG, A604BK(BACK HIP), A604CG(CARGO), A604CH(CHEST), A604FB(FRONT BIB), A604OW(OUTERWEAR) POCKET HEIGHT TOTAL W/ FLAP



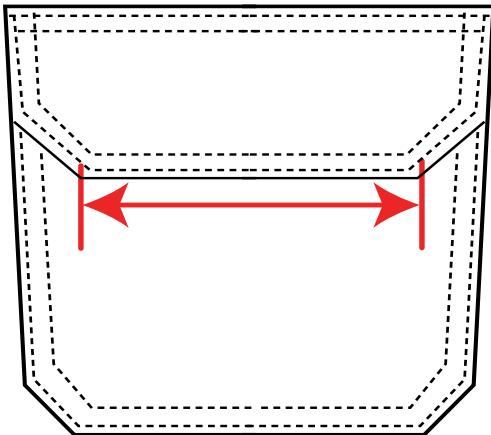
Measure straight from top of pocket flap to bottom of pocket

POMA605, A605NG, A605BK(BACK HIP), A605CG(CARGO), A605CH(CHEST), A605FB(FRONT BIB), A605OW(OUTERWEAR) POCKET FLAP WIDTH AT TOP



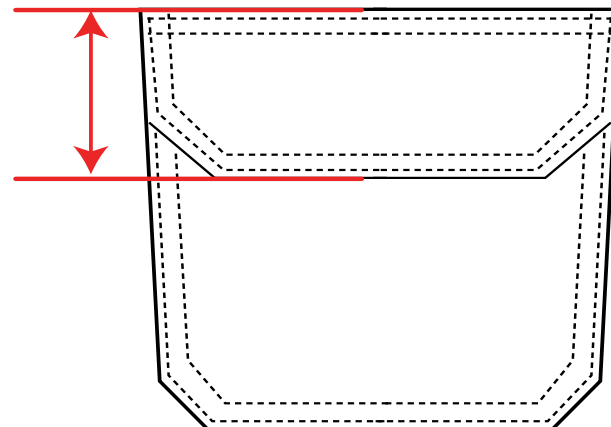
Measure straight from edge to edge at top of pocket flap

POM A606, A606 NG, A606 BK (BACK HIP), A606 CG (CARGO), A606 CH (CHEST), A606 CN (COIN), A606 FB (FRONT BIB), A606 OW (OUTERWEAR) POCKET FLAP WIDTH



Measure straight from edge to edge at bottom of flap

POM A607, A607 NG, A607 BK (BACK HIP), A607 CG (CARGO), A607 CH (CHEST), A607 CN (COIN), A607 FB (FRONT BIB), A607 OW (OUTERWEAR), A607 BZ(SUITCOAT) POCKET FLAP HEIGHT AT CENTER

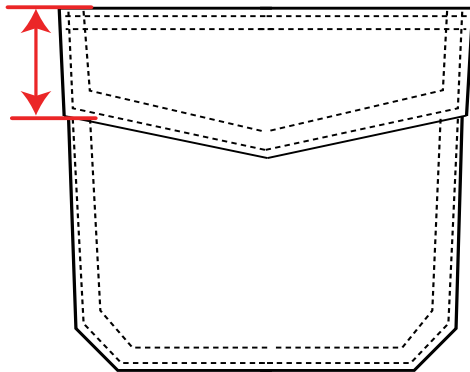


Measure straight from edge to edge at center of flap

HOW TO MEASURE GUIDE

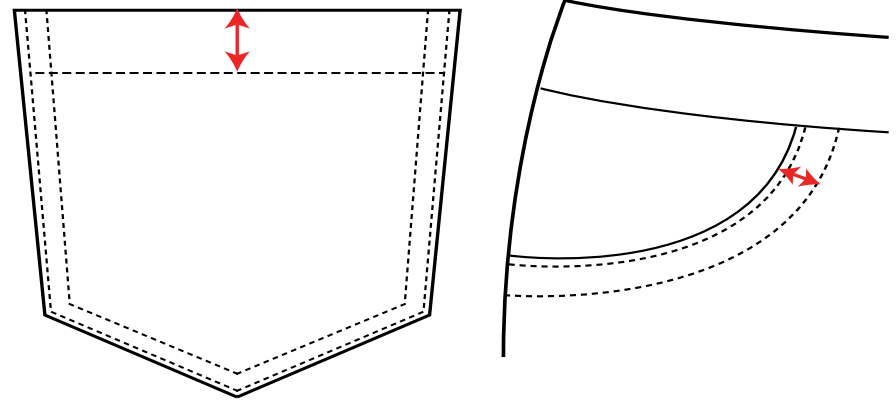
FOR PRIVATE & EXCLUSIVE BRAND APPAREL

POM A608, A608 NG, A608 BK (BACK HIP), A608 CG (CARGO), A608 CH (CHEST), A608 CN (COIN), A608 FB (FRONT BIB), A608 OW (OUTERWEAR), A608 BZ(SUITCOAT)
POCKET FLAP HEIGHT AT SIDE



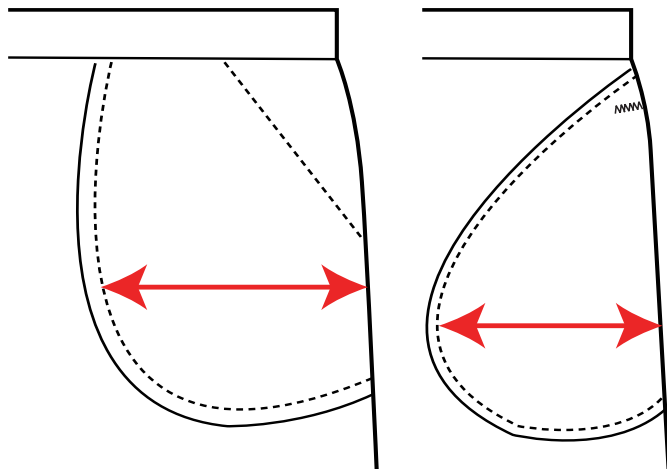
Measure straight from edge to edge at center of flap

POM A609-609 NG
POCKET HEM HEIGHT



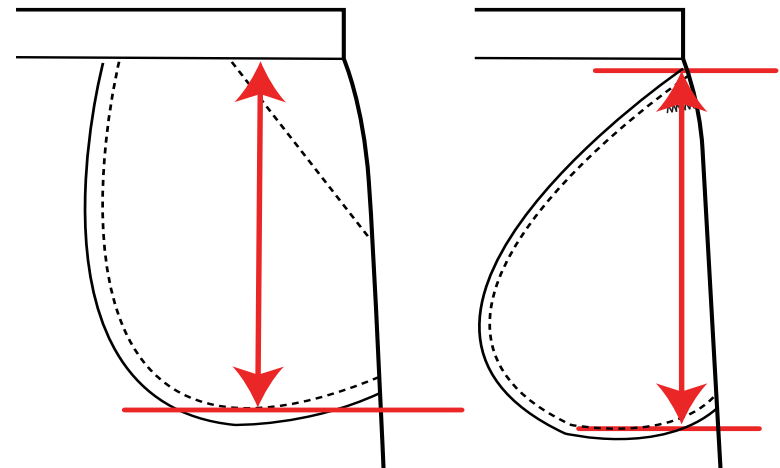
Measure straight from edge to edge of pocket to stitchline

POM A610, A610NG, A610 OW (OUTERWEAR)
FRONT POCKET BAG WIDTH



Turn garment inside out
 Measure straight from fold/seam to seam at widest point, not including seam allowance

POM A611, A611NG, A611 OW (OUTERWEAR)
FRONT POCKET BAG HEIGHT



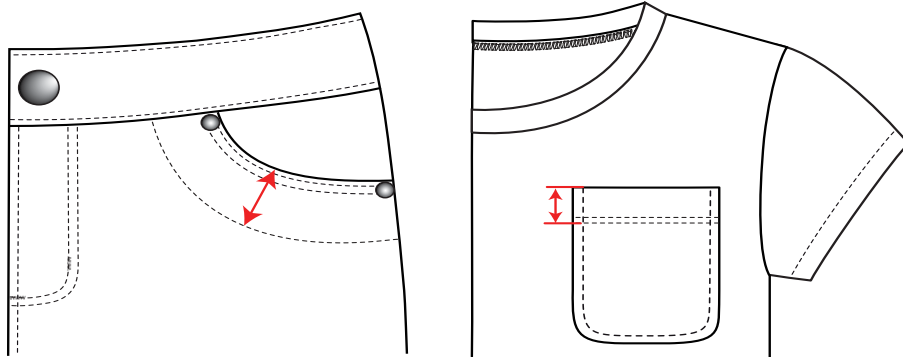
Turn garment inside out. Measure straight from fold/seam to seam at widest point, not including seam allowance
 FREE HANGING BAG: Measure straight from imaginary line at top edge to seam, not including seam allowance

Revised Date: 8/23/2024

HOW TO MEASURE GUIDE

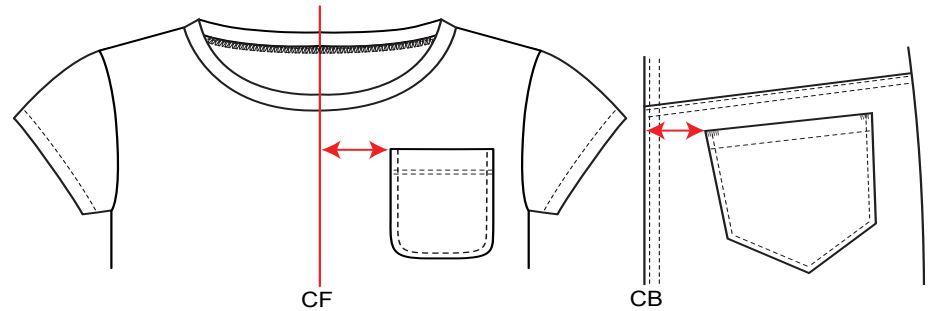
FOR PRIVATE & EXCLUSIVE BRAND APPAREL

**POM A612 - A612 NG
POCKET FACING/ HEM HEIGHT**



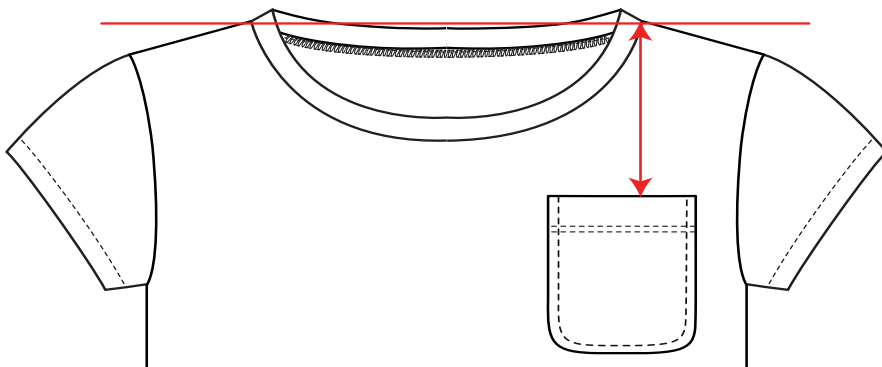
Measure straight from pocket edge to Stitch

**POM A613, A613 NG, A613 FB (FRONT BIB), A613
OW (OUTERWEAR)
POCKET FROM CENTER FRONT OR CENTER BACK**



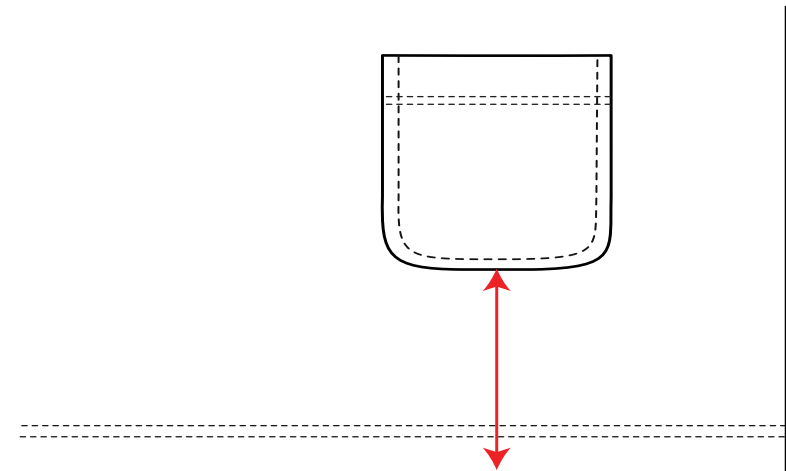
Measure straight from Center Front or Center Back to top inside corner of pocket
FOR FLAT FELLED SEAMS: Measure to center of stitchline

**POM A614, A614 NG,
A614 OW (OUTERWEAR), A614 RB (ROBE)
POCKET FROM HIGH POINT OF SHOULDER**



Measure straight from HPS seam to top edge of pocket

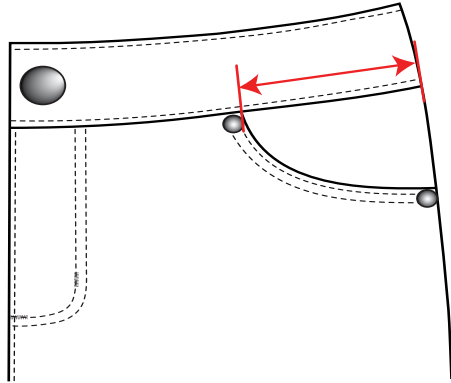
**POM A615, A615 NG, A615 OW (OUTERWEAR)
POCKET FROM HEM**



Measure straight from pocket edge to edge of hem

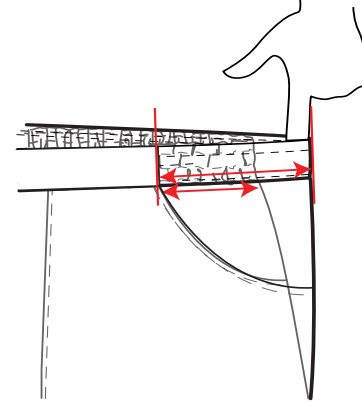
HOW TO MEASURE GUIDE FOR PRIVATE & EXCLUSIVE BRAND APPAREL

POM A616
FRONT POCKET FROM SIDE SEAM AT
BOTTOM OF WAISTBAND RELAXED



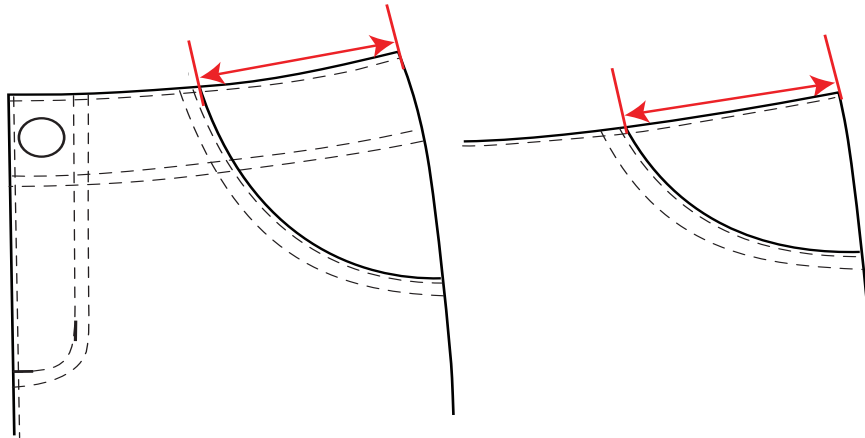
Measure along waistband seam or bottom stitchline from edge of pocket to side seam

POM A617
FRONT POCKET FROM SIDESEAM AT
BOTTOM OF WAISTBAND EXTENDED



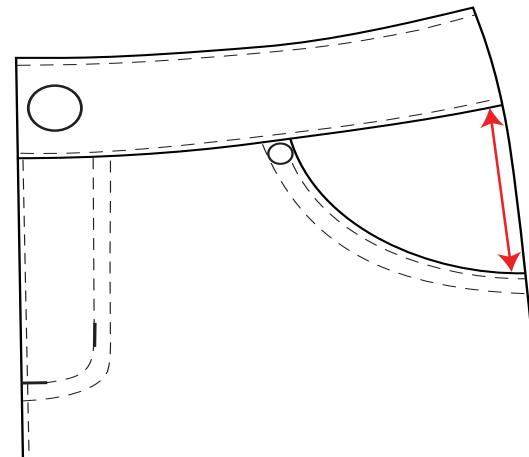
Using your index fingers, extend to maximum width without breaking stitches and measure along waistband seam from edge of pocket to side seam

POM A618
FRONT POCKET FROM SIDESEAM AT TOP EDGE



Measure along top edge from edge of pocket to side seam

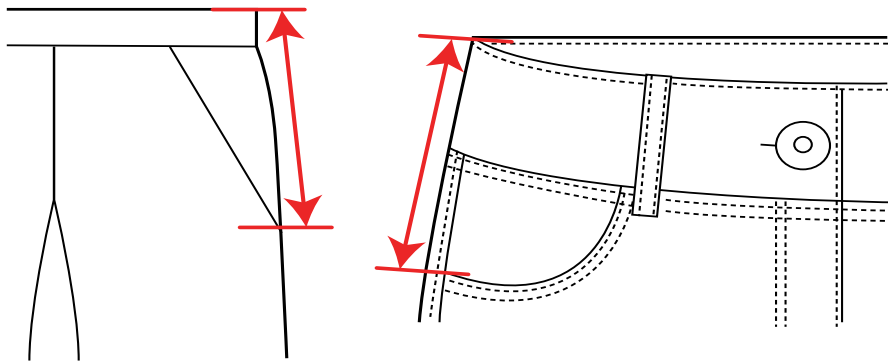
POM A619
FRONT POCKET FROM BOTTOM OF WB AT SIDESEAM



Measure along side seam from waistband seam or bottom stitchline to edge of pocket

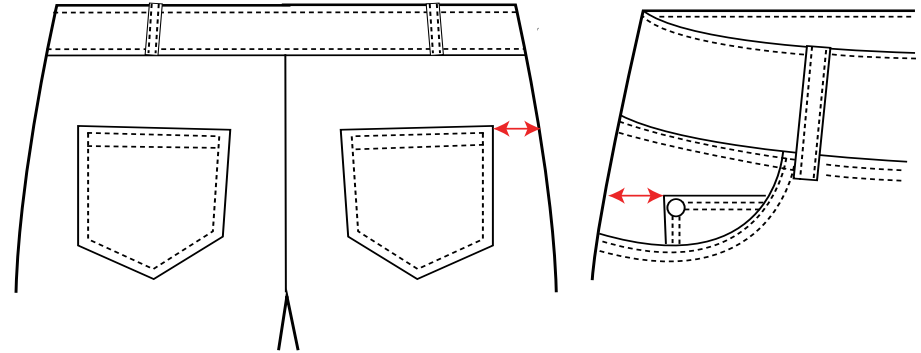
HOW TO MEASURE GUIDE FOR PRIVATE & EXCLUSIVE BRAND APPAREL

**POM A620, A620 NG
FRT PKT FROM TOP EDGE AT SS**



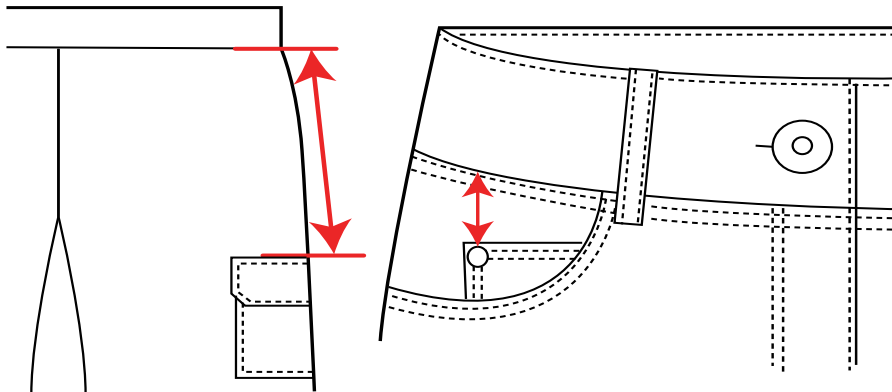
Measure along side seam from top edge to top of pocket

**POM A621, A621 NG, A621 CN (COIN), 621 CG (CARGO)
POCKET FROM SIDE SEAM**



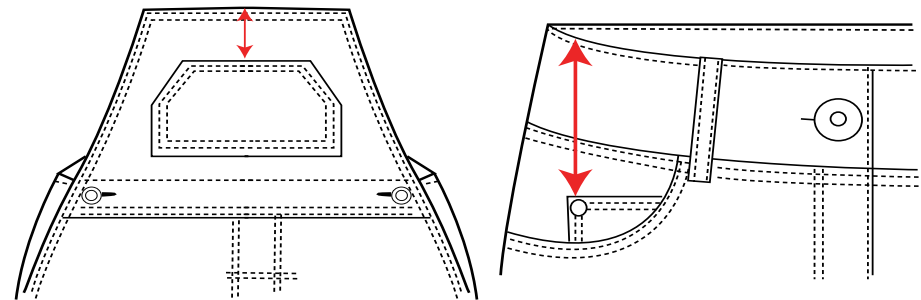
Measure straight from top outside corner of pocket to side seam

**POM A622, A622 NG, A622 CN (COIN), A622 CG (CARGO)
POCKET FROM BOTTOM OF WAISTBAND
FRT PKT FROM TOP EDGE AT SS**



Measure straight from waistband seam or bottom stitchline to top inside corner of pocket

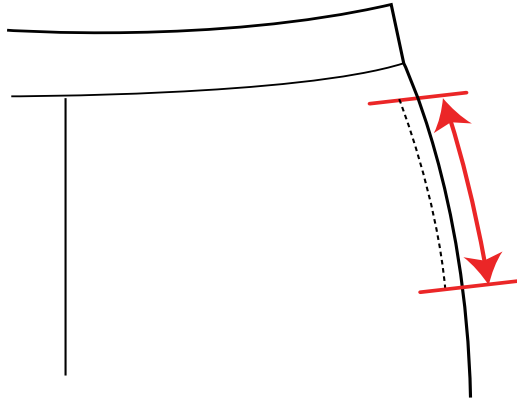
**POM A623, A623 CG (CARGO), A623 FB (FRONT BIB)
POCKET FROM TOP EDGE**



Measure straight from top edge to top inside corner of pocket

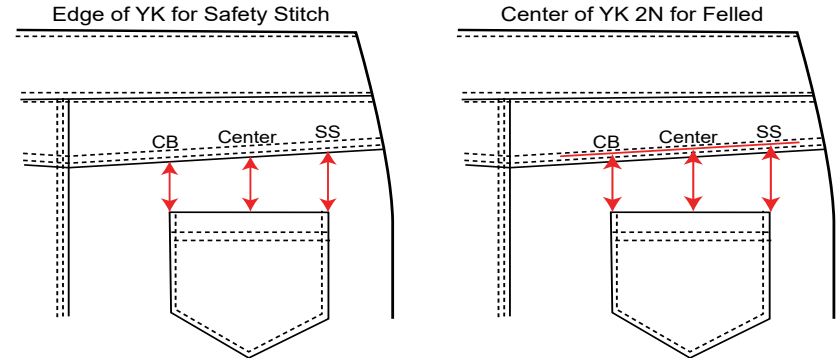
HOW TO MEASURE GUIDE FOR PRIVATE & EXCLUSIVE BRAND APPAREL

POM A624, A624 NG, A624 OW ON-SEAM POCKET OPENING



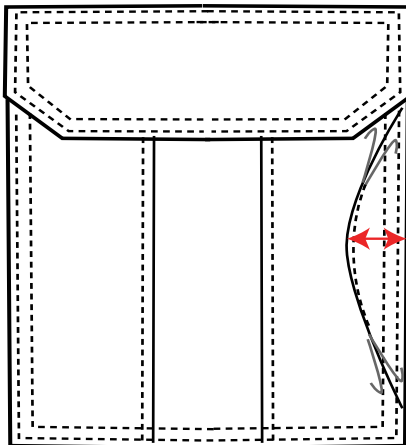
Measure actual opening or between bartacks

POM A625 BACK POCKET FROM YOKE SEAM



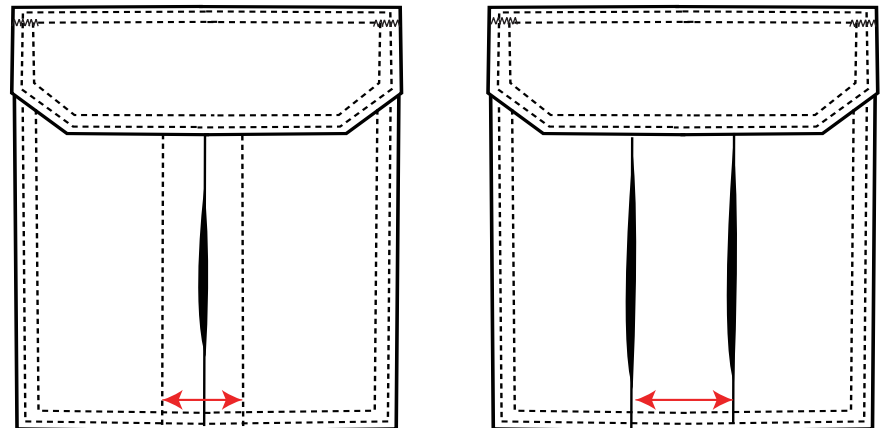
FELLED YOKE: Measure straight from center of 2 needle on yoke to top edge of pocket at specified location on pocket
SAFETY STITCH: Measure straight from edge of yoke to top edge of pocket at specified location on pocket

POM A627 BELLOW POCKET DEPTH



Measure straight from edge to set edge at center of bellow

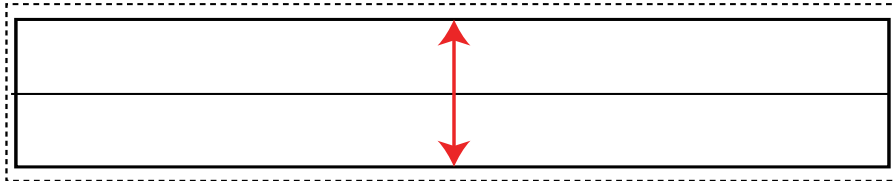
POM A628 CARGO POCKET PLEAT DEPTH



Measure straight from inside fold to fold of pleat
Double measurement for pleat depth

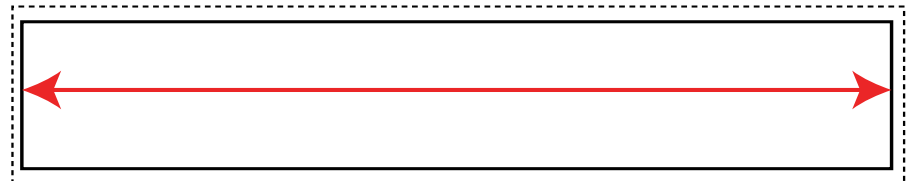
HOW TO MEASURE GUIDE FOR PRIVATE & EXCLUSIVE BRAND APPAREL

**POM A631-A631 BK (BACK HIP)
WELT POCKET WIDTH**



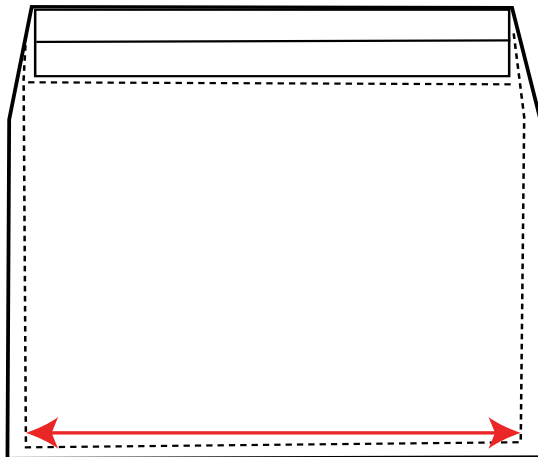
Measure straight from seam to seam at center of pocket

**POM A632, A632 NG, A632 OW (OUTERWEAR)
WELT POCKET OPENING**



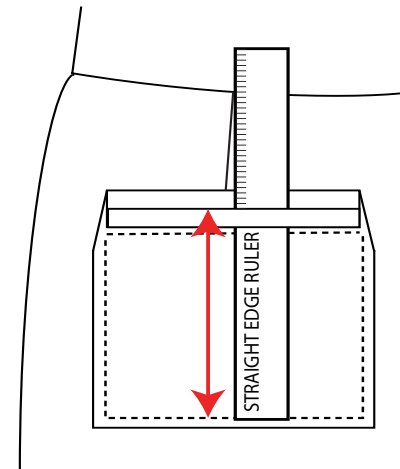
Measure straight from edge to edge at center of pocket

**POM A633, A633 NG, A633 OW (OUTERWEAR)
WELT POCKET BAG WIDTH**



Turn garment inside out
Measure straight from seam to seam or fold to fold at bottom of bag, not including seam allowance

**POM A634, A634 NG, A634 OW (OUTERWEAR)
WELT POCKET BAG HEIGHT**

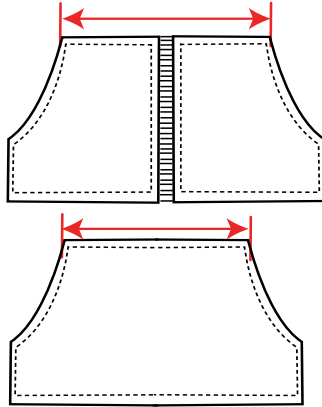


Insert straight edge ruler into welt pkt opening all the way to bottom of pocket bag
Measure pkt bag HEIGHT to welt opening

HOW TO MEASURE GUIDE

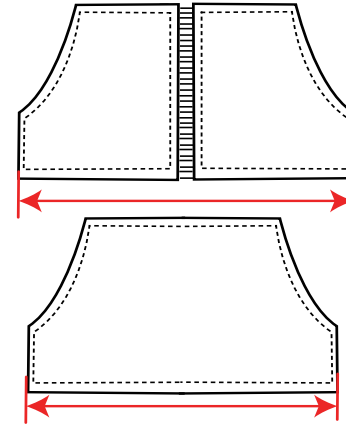
FOR PRIVATE & EXCLUSIVE BRAND APPAREL

POM A635, A635 NG, A635 OW (OUTERWEAR)
KANGAROO POCKET WIDTH AT TOP EDGE



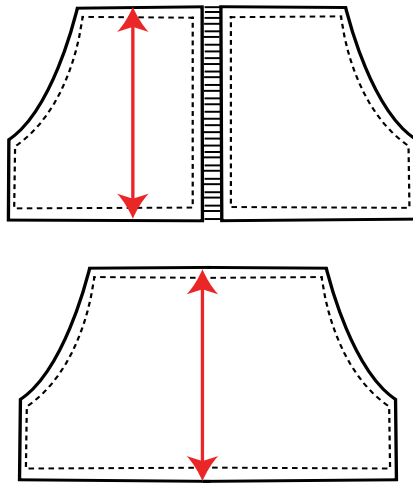
Measure straight from edge to edge at top of pocket

POM A636, A636 NG, A636 OW (OUTERWEAR)
KANGAROO POCKET WIDTH AT BOTTOM EDGE



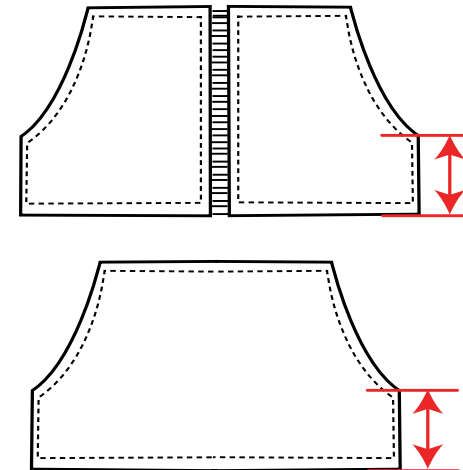
Measure straight from edge to edge at bottom of pocket

POM A637, A637 NG, A637 OW (OUTERWEAR)
KANGAROO POCKET HEIGHT AT CENTER



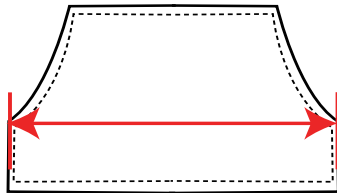
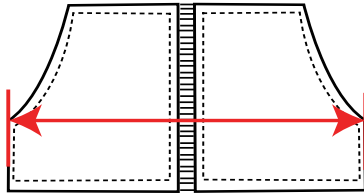
Measure straight from edge to edge at center of pocket

POM A638, A638 NG, A638 OW (OUTERWEAR)
KANGAROO POCKET HEIGHT AT SS



Measure straight from edge to edge at side of pocket

**POM A639, A639 NG, A639 OW (OUTERWEAR)
KANGAROO POCKET WIDTH AT WIDEST POINT**



Measure straight from edge to edge at widest point of pocket