

BATH AND BEACH HOW TO MEASURE & WEIGH MANUAL

10/22/2024

KOHL'S

Table of Contents

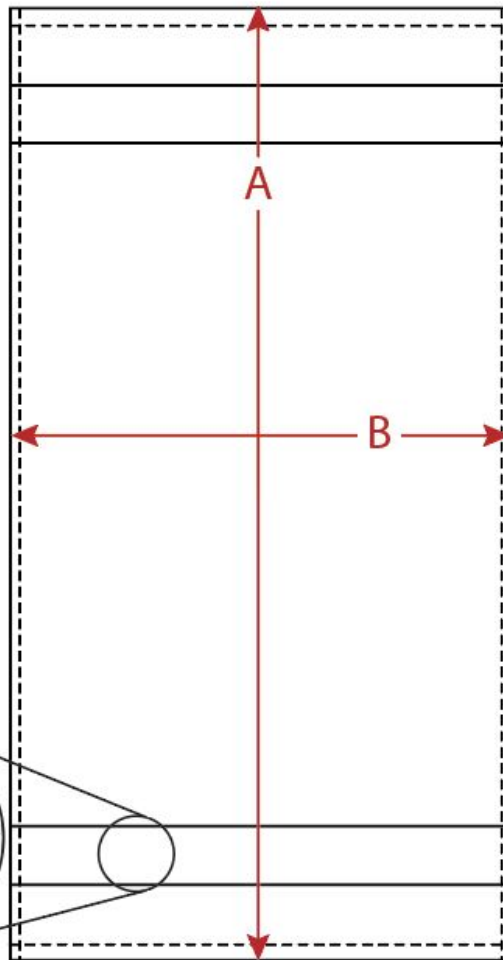
How to Measure

- Towel Page 3
- Bath Wrap - Childrens Page 4
- Bath Wrap - Adults Page 5-7
- Headband/Wristband Page 8
- Hair Wrap Page 9-10
- Shower Curtain & Liner Page 11

How to determine weighing method

- Total Towel Weight Page 12-13
- Fabric Punch Weight Page 14-15

Kohl's How to Measure Manual - Bath and Beach



701-02

Towel

02A: Length

Measure straight from edge to edge at center.

02B: Width

Measure straight from edge to edge at center.

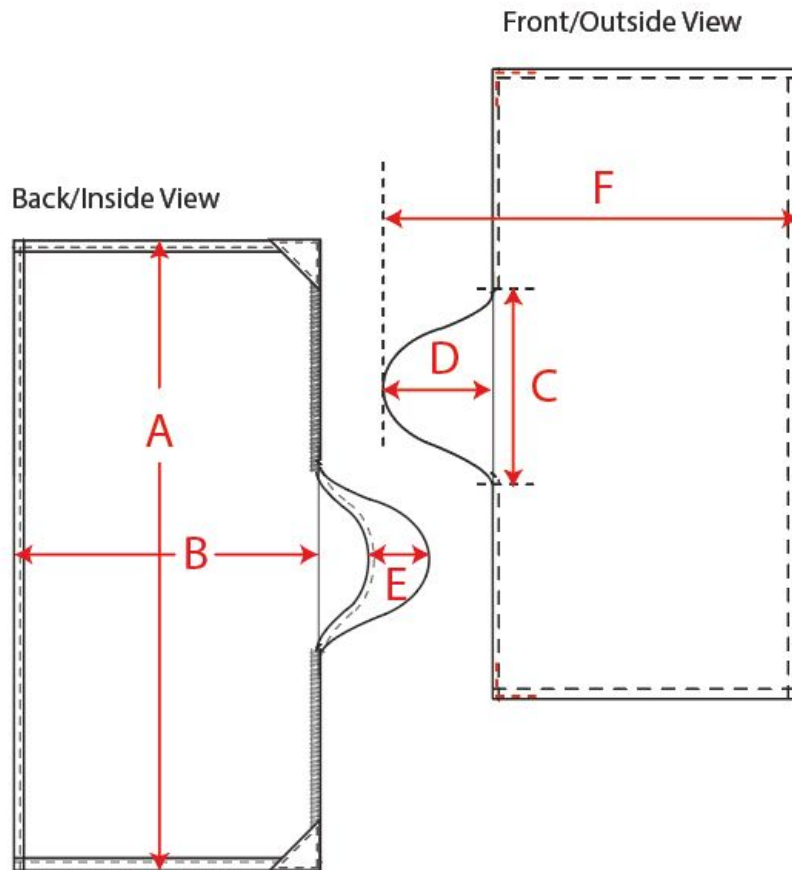
02C: Dobby Placement

Measure straight from towel edge to dobby start.

02D: Dobby Height:

Measure straight from bottom of dobby to top of dobby.

Kohl's How to Measure Manual - Bath and Beach



702-04

Bath Wrap - Children

04A: Length

Measure straight from edge to edge at center.

04B: Width

Measure straight from edge to hood/towel seam at center.

04C: Hood Width

Measure straight from edge to edge along hood/towel seam.

04D: Back Hood Height

Measure straight from top of hood edge to back hood attachment seam at longest point.

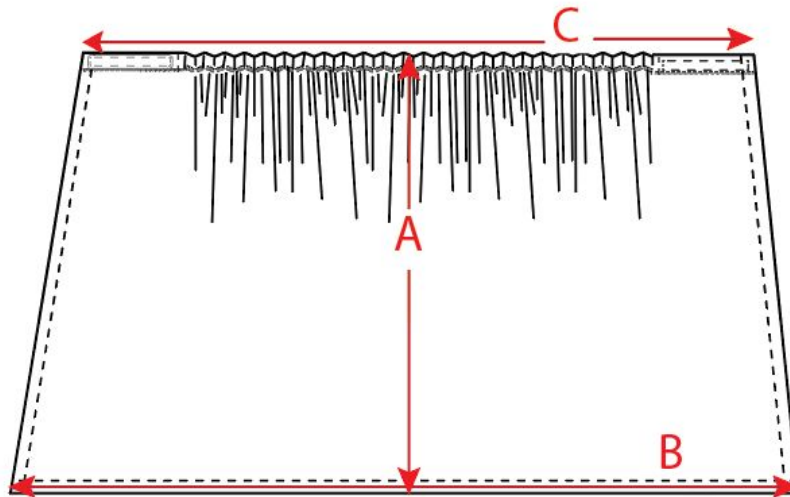
04E: Front Hood Height

Measure straight from top of hood edge to front hem at longest point

04F: Finished Wrap Height

Measure straight from top of hood edge at back to bottom of wrap.

Kohl's How to Measure Manual - Bath and Beach



702-02

Bath Wrap - Adult

02A: Length

Measure straight from edge to edge at center.

02B: Width at Bottom

Measure straight from edge to edge along bottom hem.

02C: Top Width Relaxed

Measure straight from edge to edge relaxed along top hem.

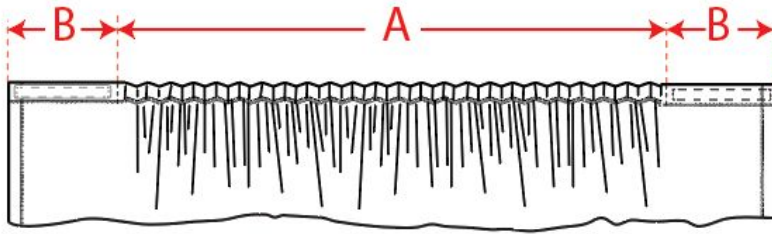
Kohl's How to Measure Manual - Bath and Beach

702-03

Bath Wrap - Adult (Continued)

03A: Top Casing Relaxed
Measure straight from stitch line to stitch line relaxed along top hem.

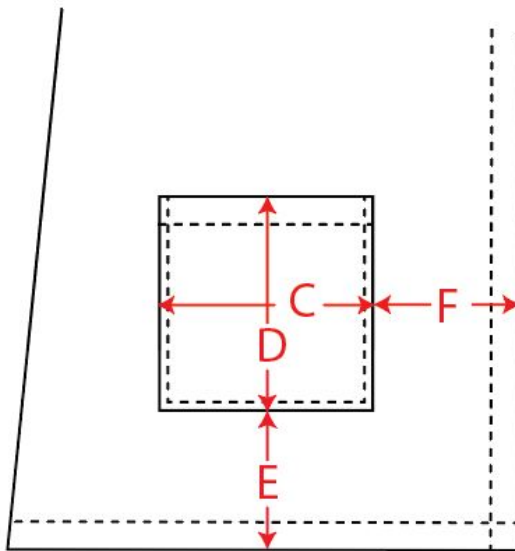
03B: Overlap Length
Measure straight from edge to stitch line along top hem.



Kohl's How to Measure Manual - Bath and Beach

702-03

Bath Wrap - Adult (Continued)



03C: Pocket Width

Measure straight from edge to edge at center.

03D: Pocket Length

Measure straight from edge to edge at center.

03E: Pocket Placement Up from Bottom

Measure straight from bottom edge to pocket edge at bottom.

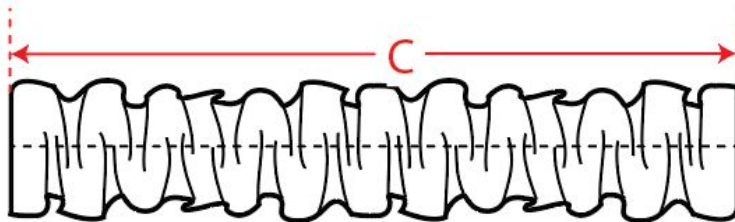
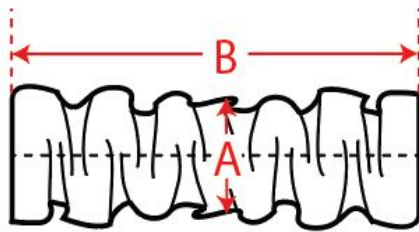
03F: Pocket Placement Over from Center

Measure straight from center hem edge to pocket edge at center.

Kohl's How to Measure Manual - Bath and Beach

220-02

Headband/Wristband



02A: Width

Measure straight from edge to edge at center.

02B: Length Relaxed

Measure straight from edge to edge relaxed at edges.

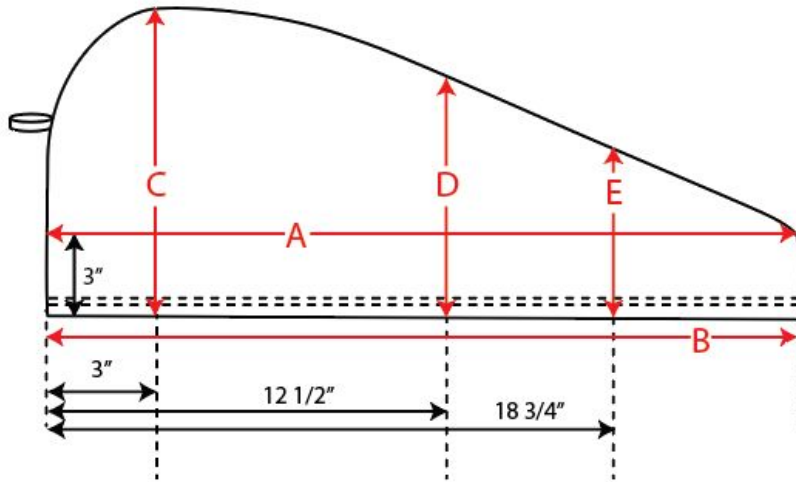
02C: Length Stretched

Measure straight from edge to edge stretched at edges.

Kohl's How to Measure Manual - Bath and Beach

702-06

Hair Wrap



06A: Length

At 3" up from bottom edge, measure straight from seam to seam at longest point.

06B: Length at bottom edge

Measure straight from seam to seam at bottom edge.

06C: Width at 3"

At 3" from side seam with elastic, measure from top seam to bottom edge.

06D: Width at 12 1/2"

At 12 1/2" from side seam with elastic, measure from top seam to bottom edge.

06E: Width at 18 3/4"

At 18 3/4" from side seam with elastic, measure from top seam to bottom edge.

Kohl's How to Measure Manual - Bath and Beach

702-06

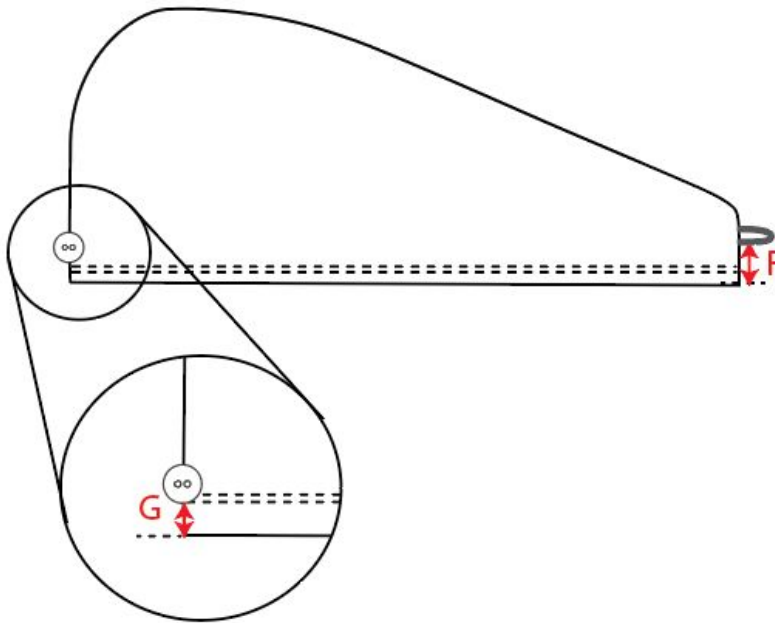
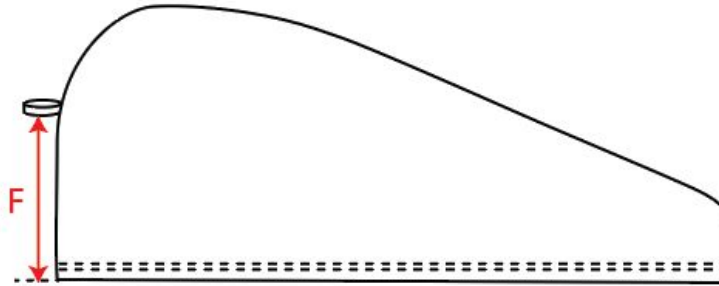
Hair Wrap (Continued)

06F: Elastic Loop Placement

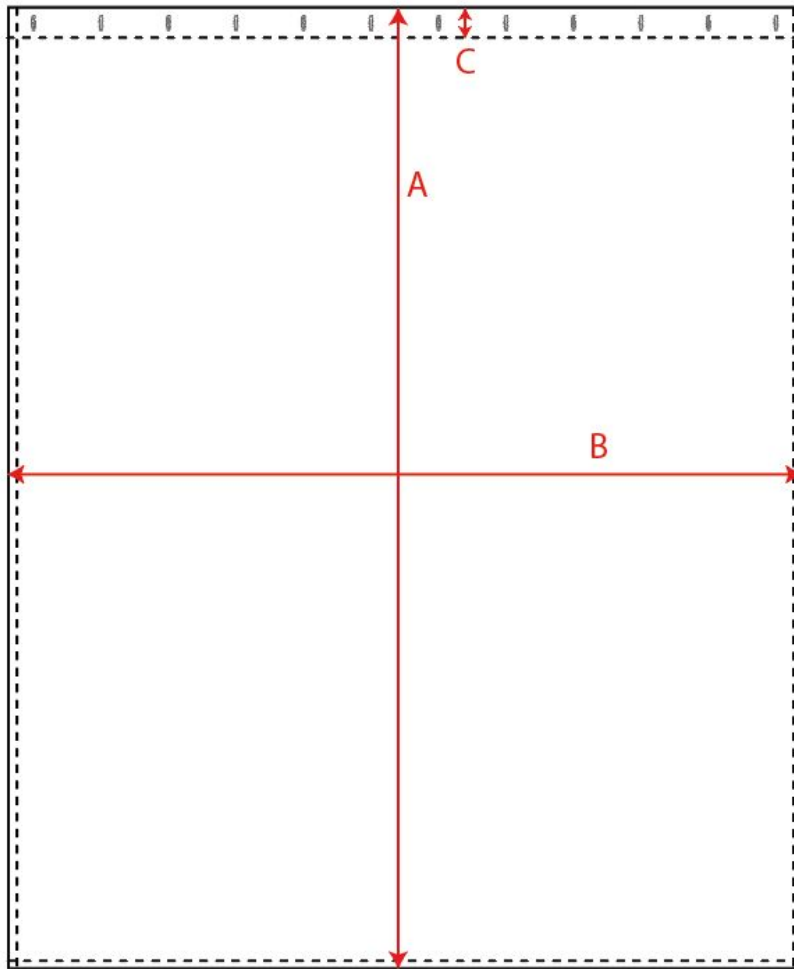
Measure from elastic insertion to bottom edge.

06G: Button Placement

Measure from button placement to bottom edge.



Kohl's How to Measure Manual - Bath and Beach



703-02

Shower Curtain & Liner

02A: Length

Measure straight from edge to edge at center.

02B: Width

Measure straight from edge to edge at center.

02C: Header Width

Measure straight from top edge to bottom edge of header.

HOW TO WEIGH TOWELS - TOTAL TOWEL WEIGHT

- Towels that are woven to machine width, flatweave side hems
- Spec'd weights are in lbs/dz=gsm
 - Using a 'sweater' scale that converts 1 towel to 12 towels (measurement used for dyeing).
- Actual dimensions and actual lbs/dz are input into a sheet that converts to the actual gsm
- Actual gsm is then compared to spec'd gsm

HOW TO WEIGH TOWELS - TOTAL TOWEL WEIGHT

- Fold towel fit on the scale
- Convert the lbs/dz to gsm using the formula with the actual dimensions to get the actual gsm

Width in Inches	Length in Inches	Pounds per Dozen	Width in cm	Length in cm	Weight of the Towel in Pounds	Weight of the Towel in Grams	G/M2
30.75	54.25	12.25	78	138	1.02	463	430

- inches * 2.54 = cm
- lbs/dz / 12 = lbs
- (lbs * .4536)*1000 = grams
- gsm = grams / (width x length in cm)*10000
- We can provide the excel file with the conversion chart



HOW TO WEIGH TOWELS - FABRIC PUNCH

- Towels that are fabric yardage that are then cut and sewn into towel dimensions.
 - i.e. Bath wraps, tie top towels, non terry towels, etc.
- Punch the fabric

HOW TO WEIGH TOWELS - FABRIC PUNCH

- Kohl's uses a die cutter of 2 11/16" diameter
- Punch the corner of the material
- Place the cutting on a digital scale in grams.
- Multiply the grams * 8 to get oz/sq yd.
- Multiple the oz/sq yd * 33.91 to get gsm

