

# KITCHEN HOW TO MEASURE & WEIGH MANUAL

1/29/2024

**KOHL'S**

# Table of Contents

## *How to Measure*

- Tablelinens Page 3-4
- Towels/Dishcloths Page 5-6
- Apron Page 7-8
- Oven Mitt Page 9
- Pot Holder Page 10

## *How to determine weighing method*

- Total Towel Weight Page 11-12
- Fabric Punch Weight Page 13-14

# Kohl's How to Measure Manual - Kitchen

801-02

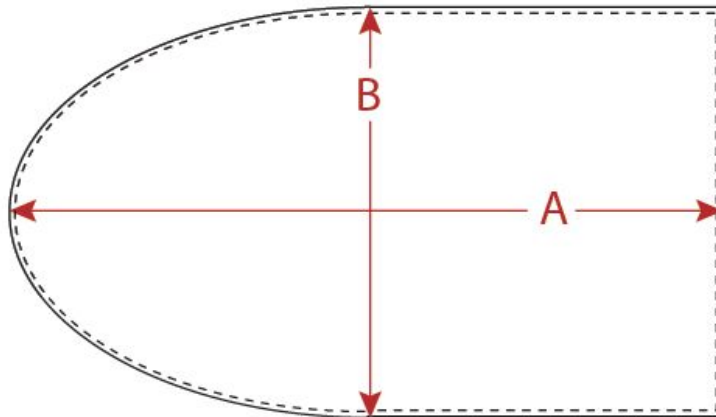
Tablelinens

02A: Length

Measure straight from edge to edge at center.

02B: Width

Measure straight from edge to edge at center.



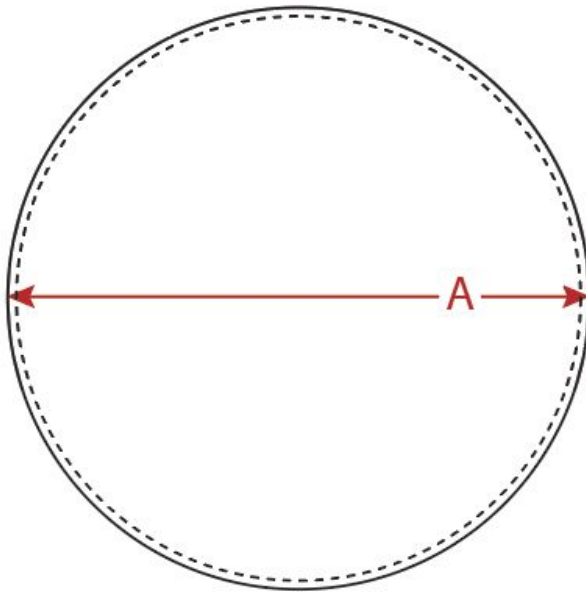
# Kohl's How to Measure Manual - Kitchen

801-04

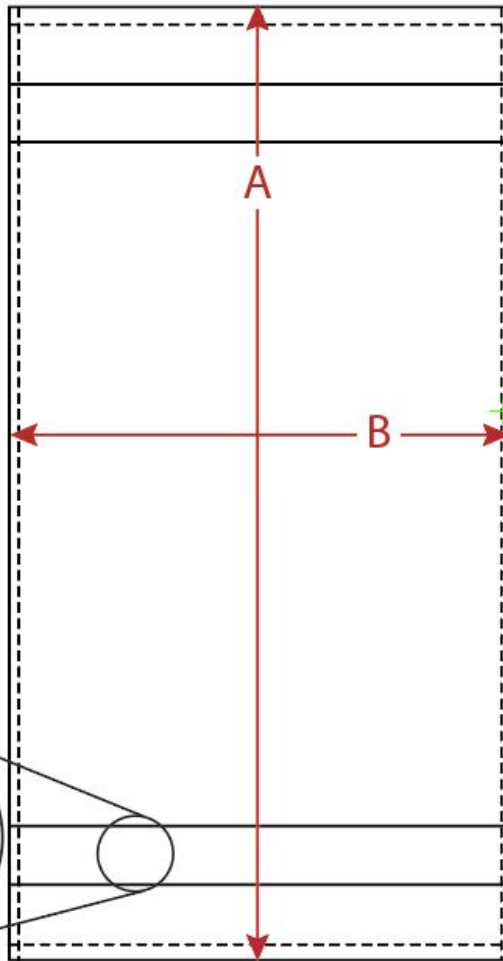
Tablelinens

04A: Diameter

Measure straight from edge to edge at center.



# Kohl's How to Measure Manual - Kitchen



802-02

Towel/Dishcloth

02A: Length

Measure straight from edge to edge at center.

02B: Width

Measure straight from edge to edge at center.

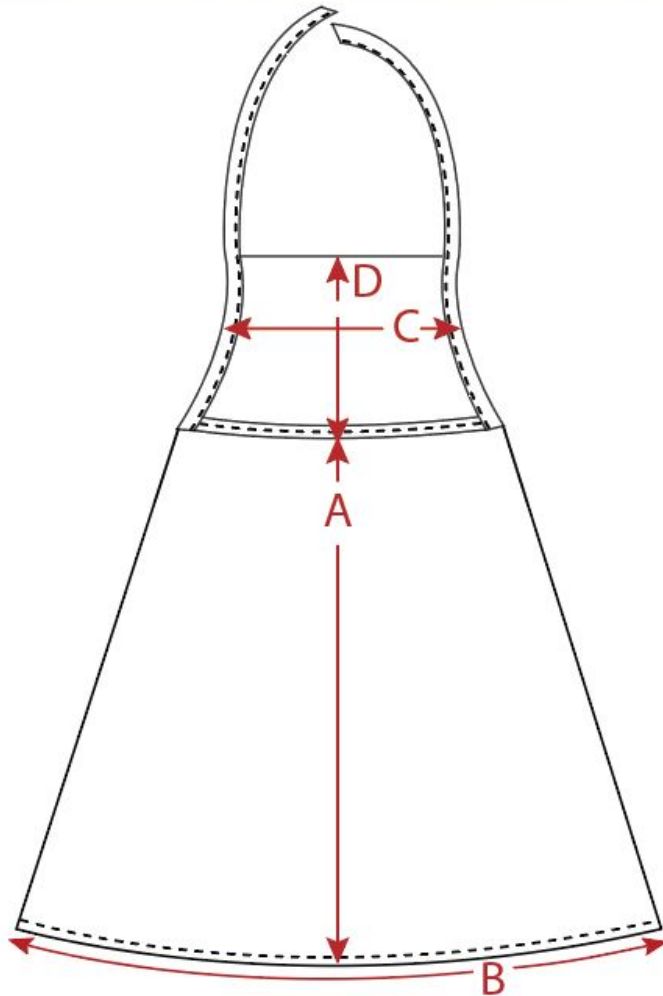
02C: Dobby Placement

Measure straight from towel edge to dobbie start.

02D: Dobby Height:

Measure straight from bottom of dobbie to top of dobbie.

# Kohl's How to Measure Manual - Kitchen



802-04

## Tie Top Towel

04A: Length

Measure straight from seam to bottom edge.

04B: Width

Measure from side edge to side edge at bottom hem.

04C: Design Top Width

Measure from side edge to side edge.

*See tech spec for design specific measurements.*

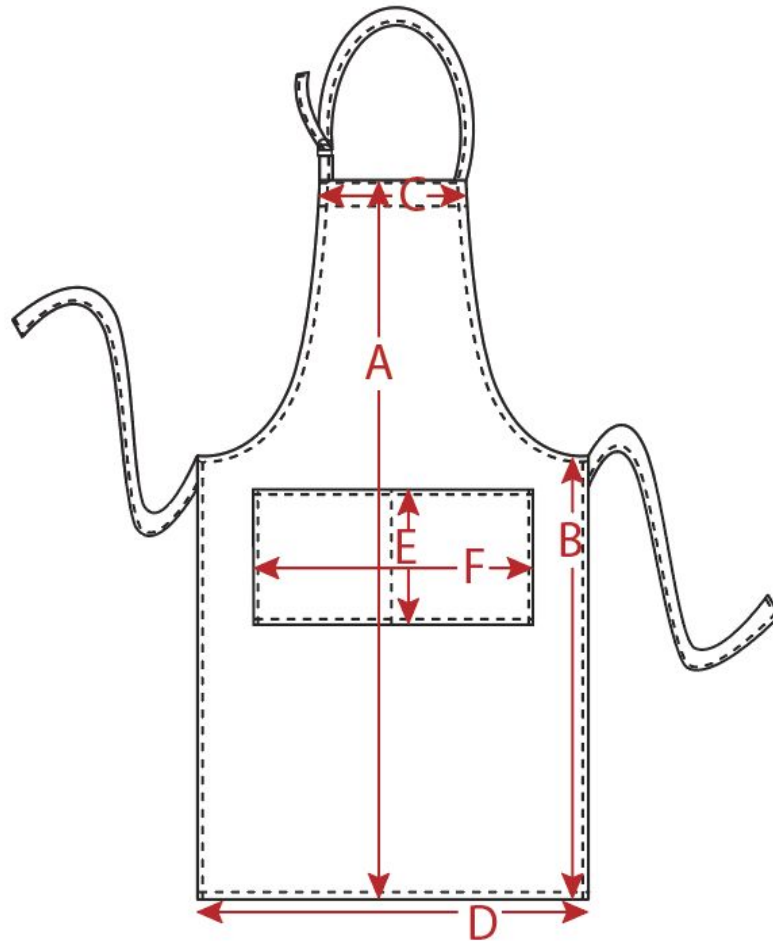
04D: Design Top Length

Measure from top edge to seam.

*See tech spec for design specific measurements.*

Reference *Home Textiles How to Measure - Trim* manual for tie measurement.

# Kohl's How to Measure Manual - Kitchen



803-02

## Apron

02A: Length at Center Front  
Measure straight from edge to edge at center.

02B: Length at Side Seam  
Measure straight from edge to edge at side.

02C: Width at Top  
Measure straight from edge to edge at top.

02D: Width at Bottom  
Measure straight from edge to edge at bottom.

02E: Pocket Height  
Measure straight from pocket top edge to pocket bottom edge at center.

02F: Pocket Width  
Measure straight from side pocket edge to side pocket edge at center.

# Kohl's How to Measure Manual - Kitchen

803-04

## Apron (Cont)

04A: Neck Strap Length

Measure straight from end to seam.

04B: Neck Strap Width

Measure straight from edge to edge.

04C: Tab Length

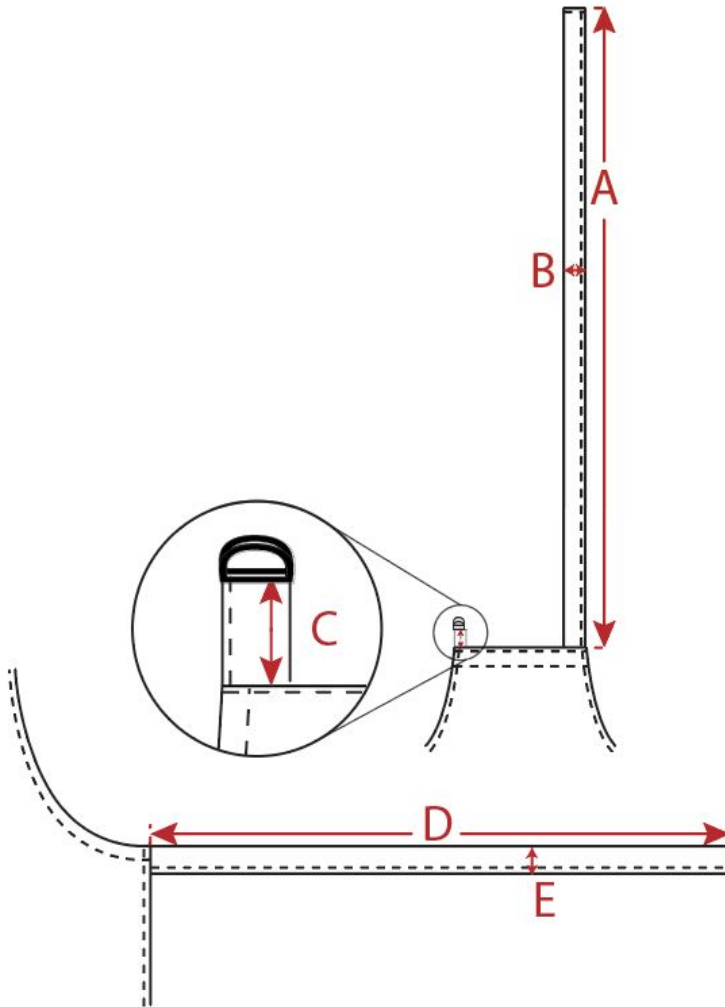
Measure straight from edge to seam.

04D: Waist Tie Length

Measure straight from end to seam.

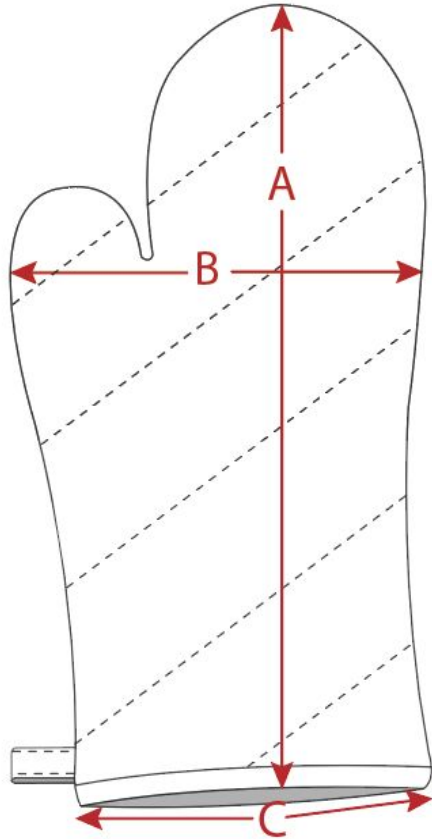
04E: Waist Tie Width

Measure straight from edge to edge.





# Kohl's How to Measure Manual - Kitchen



803-06

## Oven Mitt

06A: Length

Measure straight from edge to edge at longest point.

06B: Width

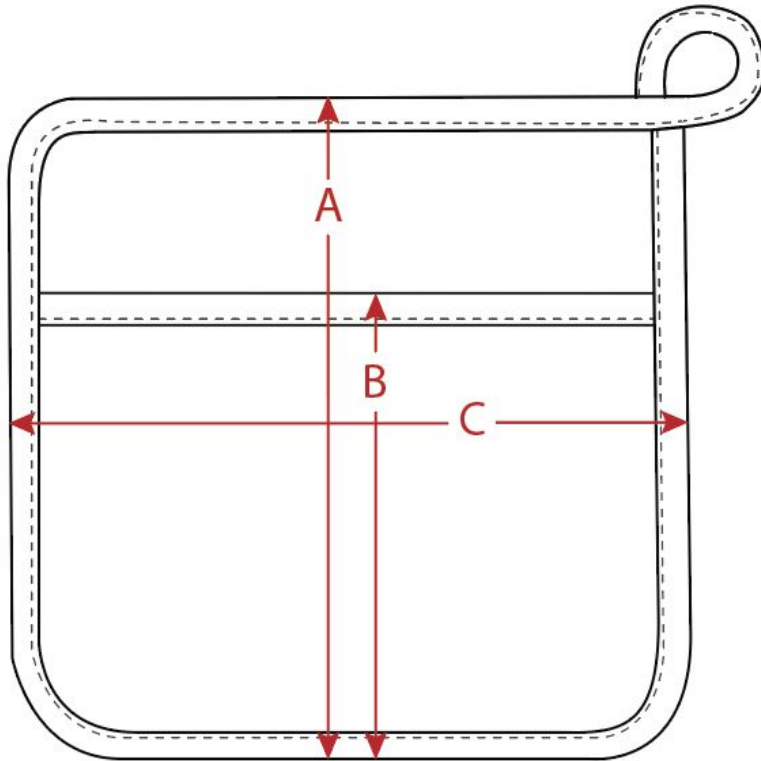
Measure straight from edge to edge at widest point.

06C: Opening

Measure flat from edge to edge.

Reference *Home Textiles How to Measure - Trim* manual for loop measurement.

# Kohl's How to Measure Manual - Kitchen



803-08

Pot Holder

08A: Length - Full

Measure straight from edge to edge at center, including binding in measurement.

08B: Length - Pocket

Measure straight from edge to edge at center, including binding in measurement.

08C: Width

Measure straight from edge to edge at center, including binding in measurement.

Reference *Home Textiles How to Measure - Trim* manual for loop measurement.

# HOW TO WEIGH TOWELS - TOTAL TOWEL WEIGHT

- Towels that are woven to machine width, flatweave side hems
- Spec'd weights are in lbs/dz=gsm
  - Using a 'sweater' scale that converts 1 towel to 12 towels (measurement used for dyeing).
- Actual dimensions and actual lbs/dz are input into a sheet that converts to the actual gsm
- Actual gsm is then compared to spec'd gsm

# HOW TO WEIGH TOWELS - TOTAL TOWEL WEIGHT

- Fold towel fit on the scale
- Convert the lbs/dz to gsm using the formula with the actual dimensions to get the actual gsm

Width in Inches	Length in Inches	Pounds per Dozen	Width in cm	Length in cm	Weight of the Towel in Pounds	Weight of the Towel in Grams	G/M2
30.75	54.25	12.25	78	138	1.02	463	430

- inches \* 2.54 = cm
- lbs/dz / 12 = lbs
- (lbs \* .4536)\*1000 = grams
- gsm = grams / (width x length in cm)\*10000
- We can provide the excel file with the conversion chart



# HOW TO WEIGH TOWELS - FABRIC PUNCH

- Towels that are fabric yardage that are then cut and sewn into towel dimensions.
  - i.e. Bath wraps, tie top towels, non terry towels, etc.
- Punch the fabric

# HOW TO WEIGH TOWELS - FABRIC PUNCH

- Kohl's uses a die cutter of 2 11/16" diameter
- Punch the corner of the material
- Place the cutting on a digital scale in grams.
- Multiply the grams \* 8 to get oz/sq yd.
- Multiple the oz/sq yd \* 33.91 to get gsm

