

UMBRELLA & UMBRELLA BASE HOW TO MEASURE & WEIGH MANUAL

Updated 10/30/2024

KOHL'S

Table of Contents

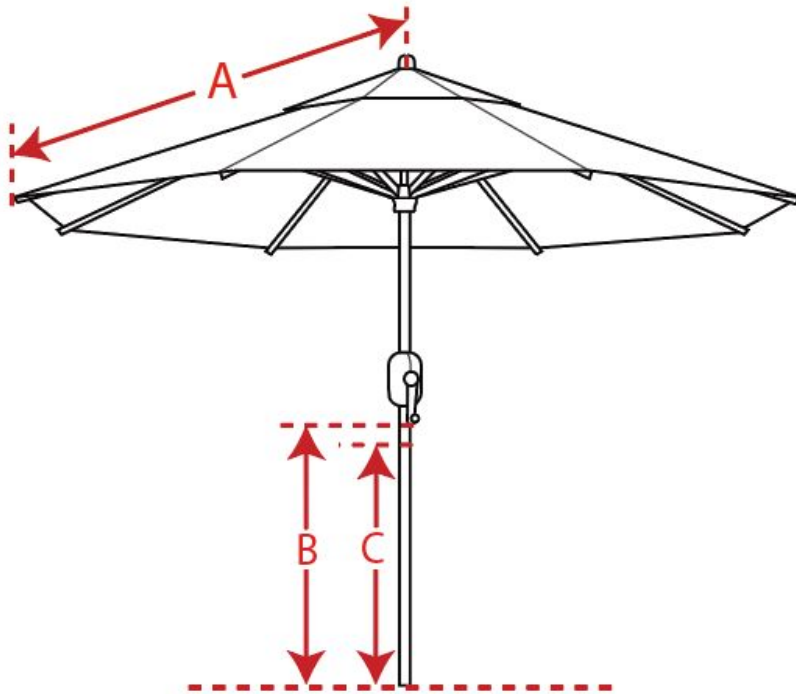
How to Measure

- Umbrella
- Umbrella Base

Page 3-6

Page 7-8

Kohl's How to Measure Manual - Umbrella



401-02 Umbrella

02A: Radius
Measure from end of rib to center of hub.
(Remove finial for accurate measurement)

02B: Crank Handle Clearance*
Measure from bottom of crank handle
(in down position) to floor.

*Measurement must be taller than
standard table heights.

02C: Bottom Pole Length
Measure from seam in pole to floor.

Kohl's How to Measure Manual - Umbrella

401-04

Umbrella

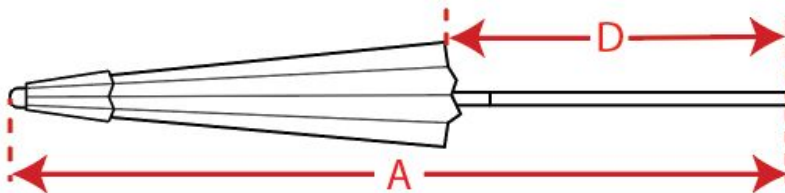
04A: Total Height

Measure from the bottom of the pole to the top of the finial.

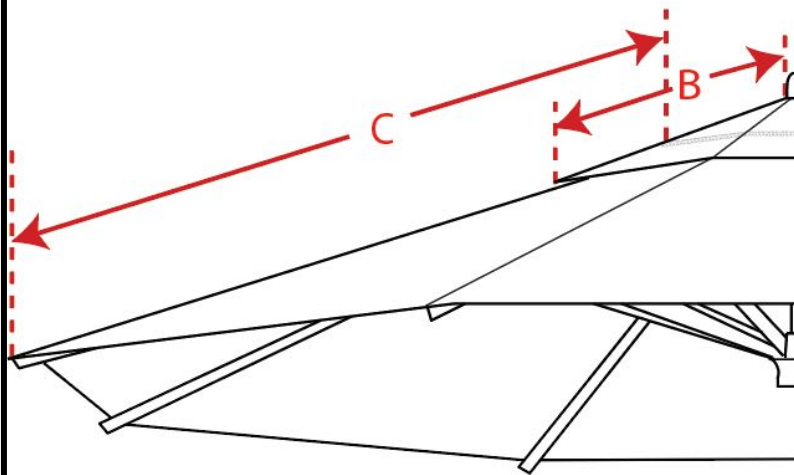
04D: Canopy Clearance*

Measure from edge of canopy to bottom of pole.

*This measurement must be taller than standard table height to ensure umbrella can close when used with a table.



Kohl's How to Measure Manual - Umbrella

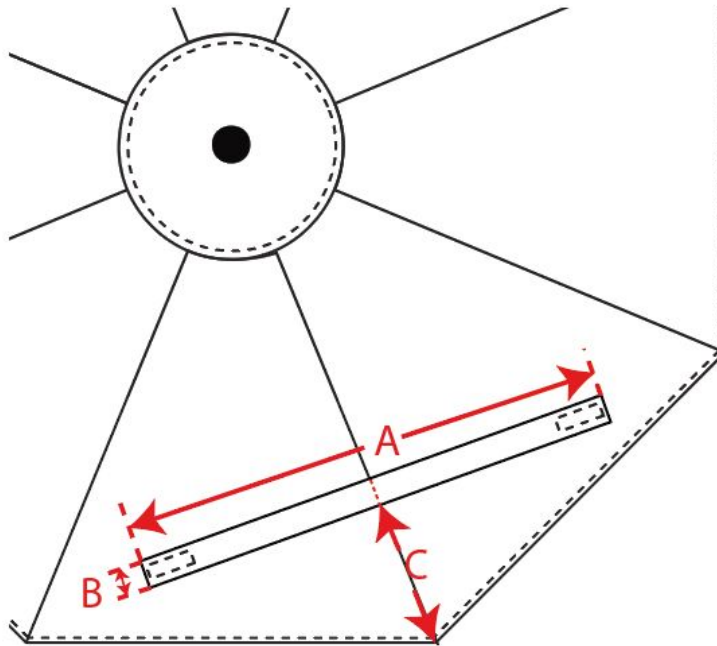


401-04 Umbrella

04B: Vent Length
Measure from edge of finial to bottom hem of vent at rib.

04C: Canopy Length
Measure from overlock edge of canopy (underneath vent) to bottom hem at rib/seam.

Kohl's How to Measure Manual - Umbrella



401-06

Umbrella Strap

06A: Strap Length

Measure from edge to edge.

06B: Strap Width

Measure from edge to edge.

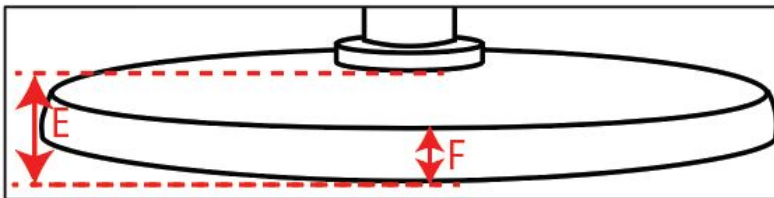
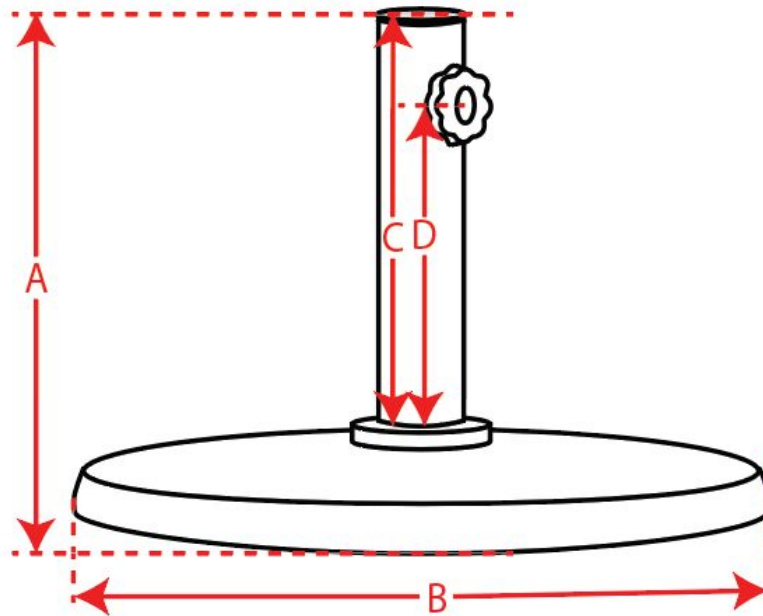
06C: Strap Placement

Measure at seam from hem/binding up to bottom edge of strap.

Kohl's How to Measure Manual - Umbrella Base

408-02

Umbrella Base



02A: Total Height

Measure from floor to top edge of support tube.

02B: Total Diameter

Measure on bottom, across the base at the widest point.

02C: Support Tube Height

Measure from bottom edge of tube to top of tube.

02D: Knob Position

Measure from top of cuff to attachment for knob(s). If unit has multiple knobs, position of each must be measured.

02E: Base Height w/ Curve

Measure from floor to top of base at highest point.

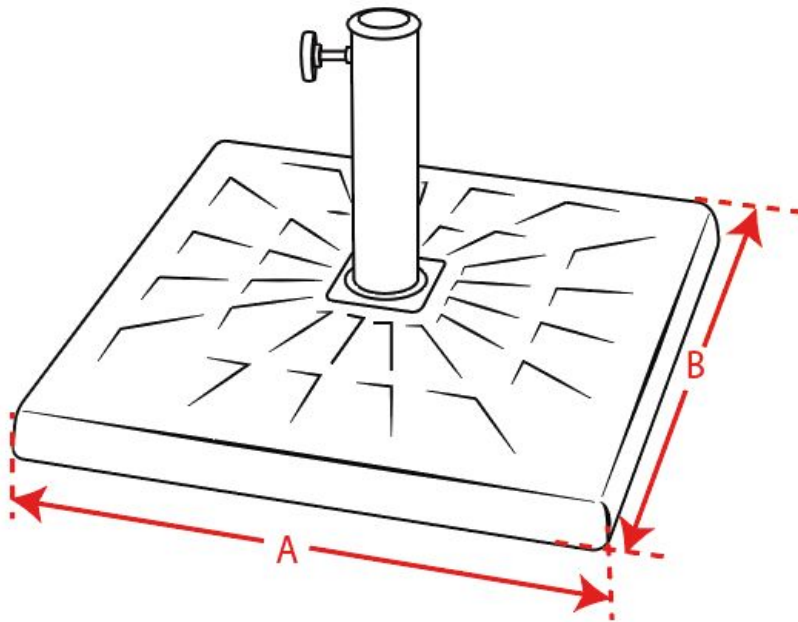
02F: Edge Height

Measure from bottom of edge to top of edge.

Kohl's How to Measure Manual - Umbrella Base

408-04

Umbrella Base



04A: Base Width

Measure on bottom, across the base at the widest point.

04B: Base Depth

Measure on bottom, across the base at the deepest point.