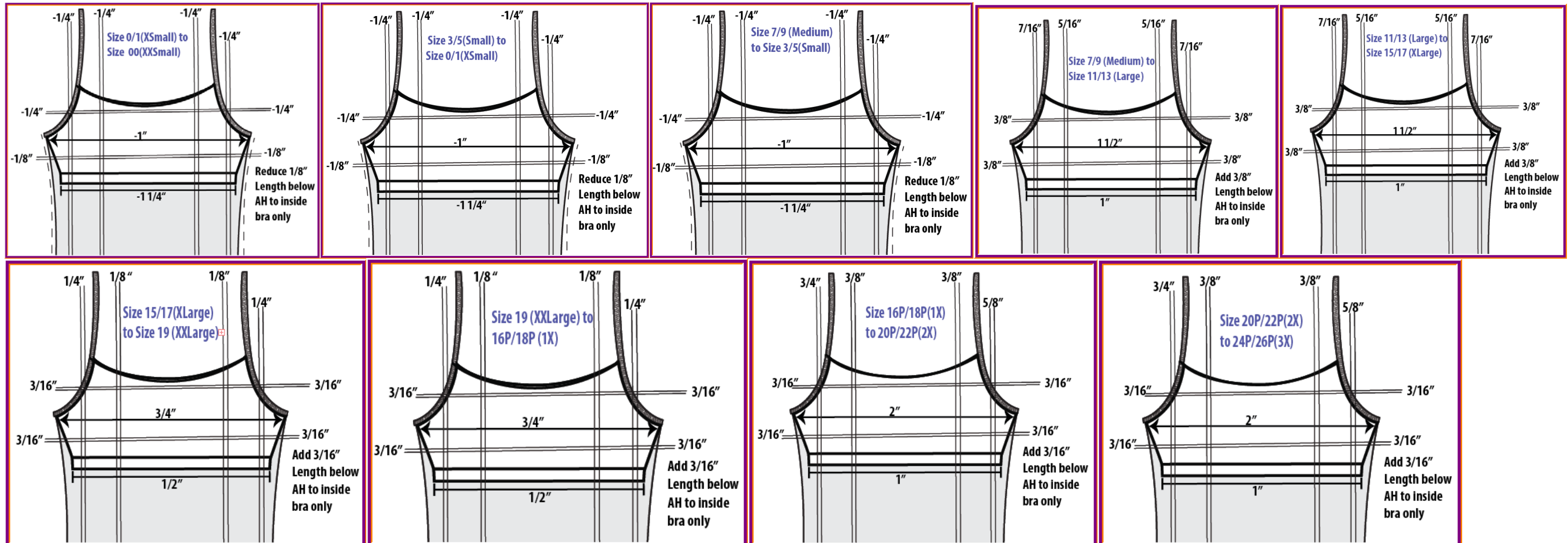


Juniors Cami/Bra Grading

Updated 6-18-18 (**Updated to add strap POMs)

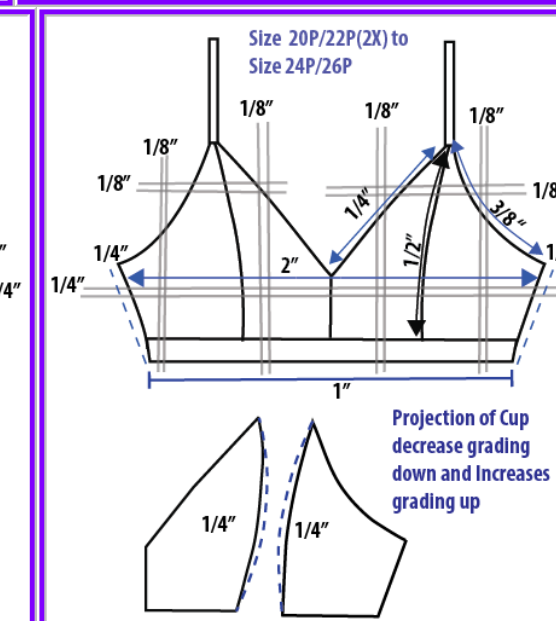
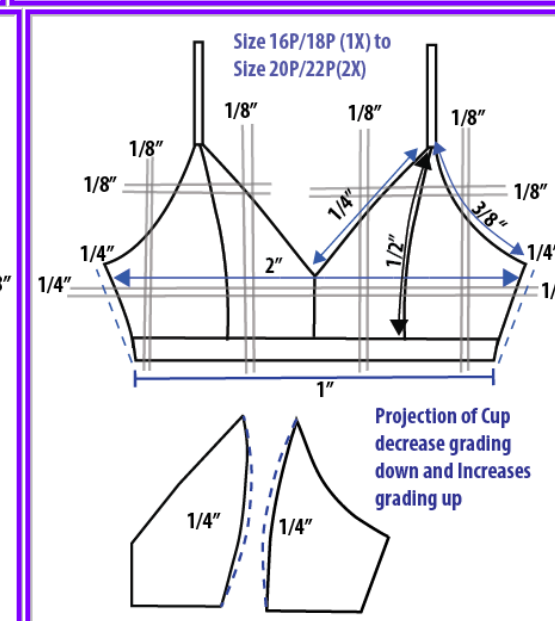
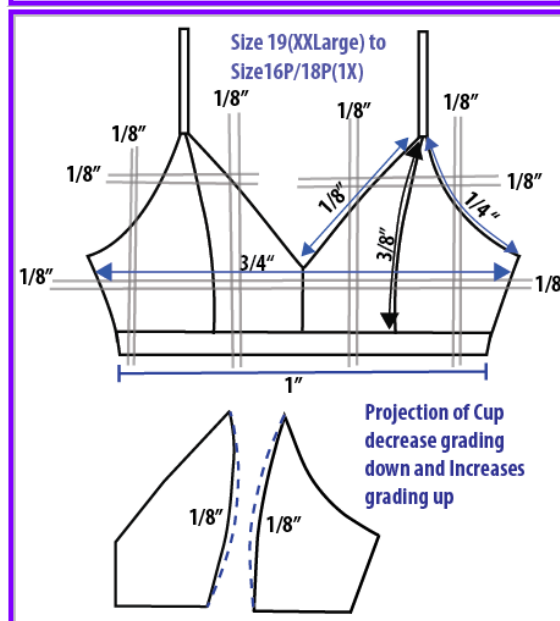
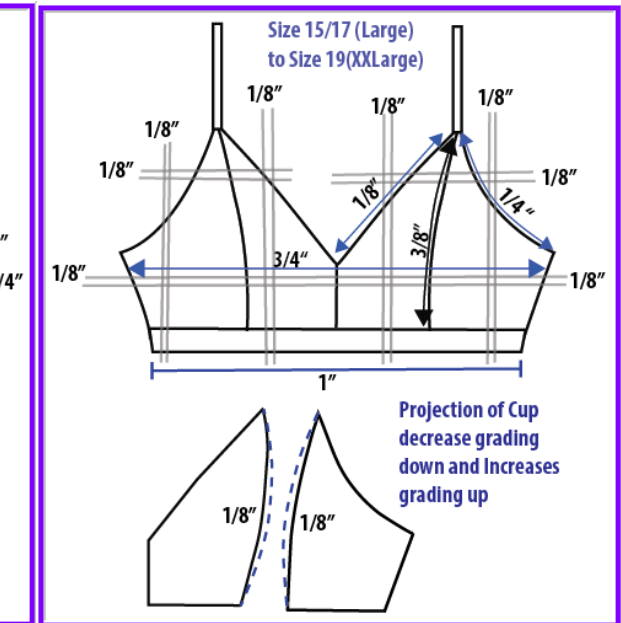
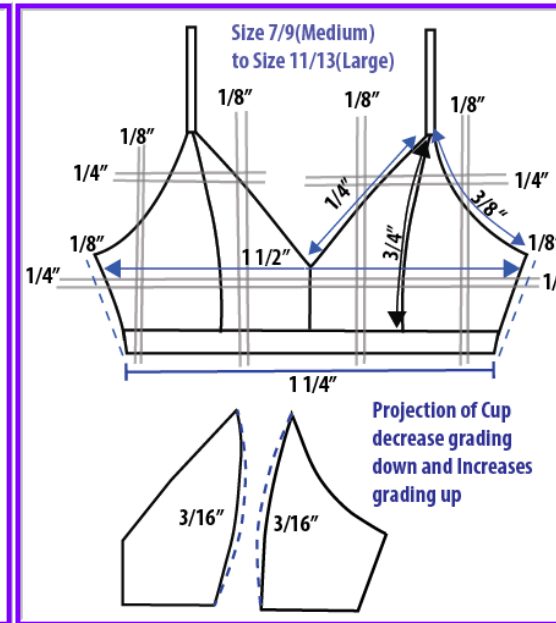
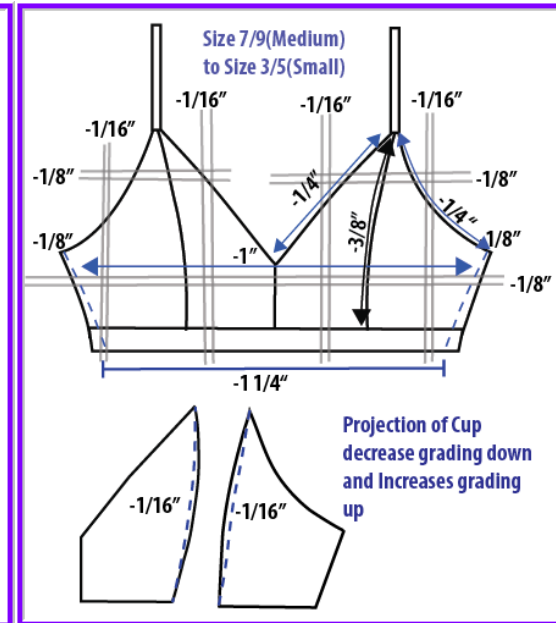
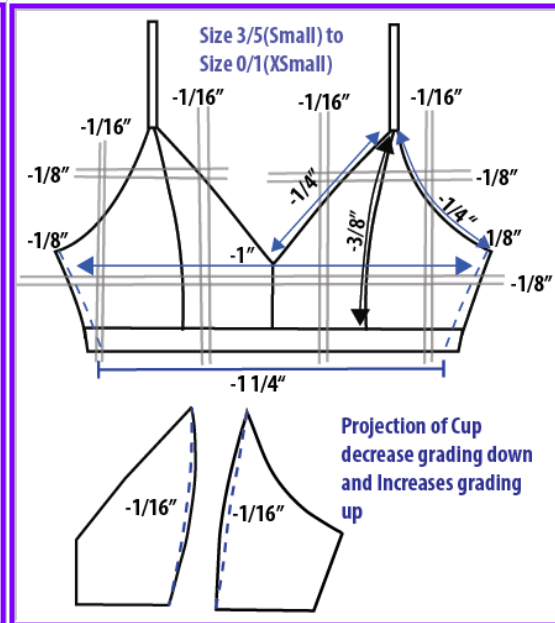
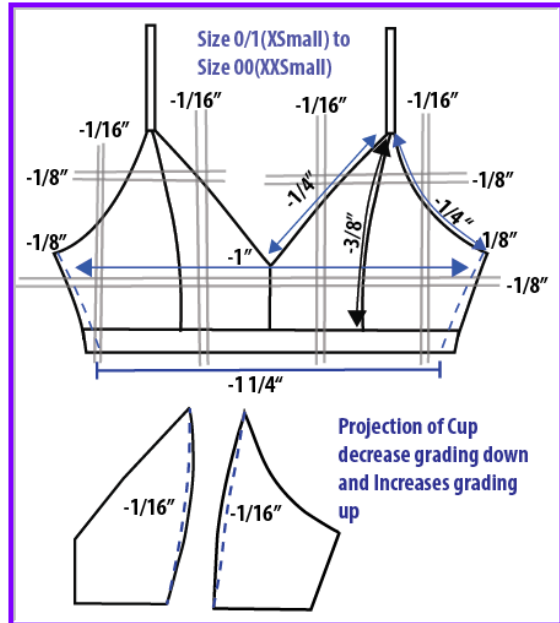


Code	Alt Description	XXSmall	Xsmall	Small	Medium	Large	Xlarge	XXLarge	1X	2X	3X								
		00	0	1	3	5	7	9	11	13	15	17	19	16P	18P	20P	22P	24P	26P
	BRA SIZE - SO/Mudd	28B	30 B	32B	34B	36C	38D	40D	40DD/42D	44DD	44DD								
	BRA SIZE - Candies	28B	30B	32C	34C	36D	38DD	40D	40DD/42D	44DD	44DD								
A001-JR 0000-30	XXS(00)1(XS) S)9(M)13 (L)17(XL)19(XXL) 0X(14P)1X(18P)2X(22P)3X(26P)							0											
A171	DISTANCE BTW STRAPS@FRT-CAMI	-1 1/2	-1	-1/2	0	5/8	1 1/4	1 1/2	1 3/4	2 1/2	3 1/4								
A172	DISTANCE BTW STRAPS@BK-CAMI	-1 1/2	-1	-1/2	0	5/8	1 1/4	1 1/2	1 3/4	2 1/2	2 7/8								
A167	STRAP LENGTH-TOTAL(NO ADJ)	-3/4	-1/2	-1/4	0	1/4	1/2	5/8	3/4	1	1 1/8								
A169	STRAP LENGTH W/2" ADJ	0	0	0	0	0	0	0	0	0	0								
A201H	BRA BTM BAND RLXD-1/2 MEAS.	-3 3/4	-2 1/2	-1 1/4	0	1 1/4	2 1/2	3	3 3/4	4 1/2	5 1/2								
A202H	BRA BTM BAND EXT-1/2 MEAS.	-3	-2	-1	0	1 1/2	3	3 3/4	4 1/2	6 1/2	8 1/2								
A241 IB	CF LENGTH-BRA	-1 1/8	-3/4	-3/8	0	3/4	1 1/2	1 7/8	2 1/4	2 5/8	3								
A242 IB	CB LENGTH-BRA	-3/8	-1/4	-1/8	0	3/8	3/4	7/8	1 1/8	1 1/4	1 3/8								
A243 IB	SS LENGTH-BRA	-3/8	-1/4	-1/8	0	3/8	3/4	7/8	1 1/8	1 1/4	1 3/8								
A260H	CHEST 1" BLW AH RLXD-1/2 MEAS	-3	-2	-1	0	1 1/2	3	3 3/4	4 1/2	6 1/2	8 1/2								
A270H	WAIST RLXD-TOPS-1/2 MEAS	-3	-2	-1	0	1 1/2	3	3 3/4	4 1/2	6 1/2	8 1/2								
A272HPS	WAIST PLCMT FM HPS	-1 1/2	-1	-1/2	0	1 1/2	1	1 1/8	1 1/4	1 5/8	2 1/8								
A272PK	WAIST PLCMT FM PEAK	-3/4	-1/2	-1/4	0	1/4	1/2	5/8	3/4	1	1 1/4								
A283H	HIP-TOPS-1/2 MEAS	-3	-2	-1	0	1 1/2	3	3 3/4	4 1/2	6 1/2	8 1/2								
A284HPS	HIP PLCMT FROM HPS-TOPS	-3	-2	-1	0	1	2	2 3/8	2 3/4	3 3/4	4 3/4								
A290H	SWEEP RLXD@HEM/TOP OF SLIT-1/2	-3	-2	-1	0	1 1/2	3	3 3/4	4 1/2	6 1/2	8 1/2								
A298	LEN CB NK TO SEAM	-1	-3/4	-3/8	0	3/8	3/4	7/8	7/8	1	1 1/4								
A299	HPS TO FRT/BK SEAM	-1 1/2	-1	-1/2	0	1/2	1	1 1/8	1 1/4	1 1/2	1 3/4								
A299-2W	HPS TO FRT/BK SEAM-EMPIRE WST	-2 1/4	-1 1/2	-3/4	0	3/4	1 1/2	1 7/8	2 1/8	2 7/8	3 5/8								
A305	LEN PEAK TO HEM	-1 1/2	-1	-1/2	0	1/2	1	1 1/4	1 1/2	1 7/8	2 1/8								
A337	FT/BK AH CURVE CAMI		-1	-1/2	0	3/4	1 1/2	1 7/8	2 1/4	3	3 3/4								

Grade has been adjusted to accommodate the Bra size compatible to the garment size. Band Extended will grade as Chest but Band Relaxed has been reduced to anchor band under Bust on Body.

Juniors Cami/Bra Grading

Updated 6-18-18



Neckline, AH Curve (side cup) and Band flat is slightly smaller than Grade as bands need to anchor under bust as neckline and AH needs to control bust.

Alpha Size	XXSmall	Xsmall	Small	Medium	Large	XLarge	XXLarge	1X	2X	3X
Numeric Size	00	0 1	3 5	(7) 9	11 13	15 17	19	18P	22P	26P
BRA SIZE - SO/Mudd	28B	30 B	32B	34B	36C	38D	40D	40DD/42D	44DD	44DD
BRA SIZE - Candies	28B	30B	32C	34C	36D	38DD	40D	40DD/42D	44DD	44DD
A201H BRA BTM BAND RLXD-1/2 MEAS.	-3 3/4	-2 1/2	-1 1/4	0	1 1/4	2 1/2	3	3 3/4	4 1/2	5 1/4
A202H BRA BTM BAND EXT-1/2 MEAS.	-3	-2	-1	0	1 1/2	3	3 3/4	4 1/2	5 1/2	6 1/2
A225 CUP LENGTH AT NECKLINE	-3/4	-1/2	-1/4	0	1/2	1	1 1/4	1 1/2	1 3/4	2
A226 CUP HEIGHT	-1 1/8	-3/4	-3/8	0	3/4	1 1/2	1 7/8	2 1/4	2 3/4	3 1/4
A337B AH CURVE BRALET	-3/4	-1/2	-1/4	0	3/8	3/4	1 1/8	1 3/8	1 3/4	2 1/8
A260H CHEST 1" BLW AH RLXD-1/2 MEAS	-3	-2	-1	0	1 1/2	3	3 3/4	4 1/2	6 1/2	8 1/2

